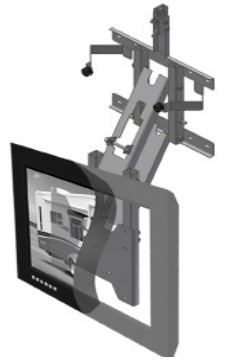




MORryde Television Mounts



Installation Instructions for TV56-129H

Thank you for choosing a MORryde television mount. The TV56-129H is designed to mount flat panel televisions or monitors with VESA (Video Electronics Standards Association) hole patterns up to 200mm x 200mm and weighing a minimum of 12lbs and a maximum of 20lbs.

CAUTION: The size and weight of your television must be properly supported. The surface must be capable of supporting five times the weight of the television plus the mount. The structure of your RV may require additional reinforcement. MORryde is responsible for the design and manufacturing of our parts; we are not responsible for the structure it is mounted to or the construction method used to reinforce the mounting surface. Improper installation may cause property damage or personal injury. MORryde cannot be liable for property damage or injury caused by incorrect mounting or incorrect use during travel or otherwise.

If you do not understand these directions, or have any doubts about the safety of the installation, please call MORryde customer service at 574-293-1581. Our customer service representatives can assist you with installation questions and missing or replacement parts. Please call MORryde before returning products to the point of purchase.

NOTE: This mount is not intended for use on brick, concrete, concrete block, or steel surfaces. It is up to the installer to verify the safety of any installation method or hardware that is not provided by or recommended by MORryde. We make every effort to assure all necessary television mounting hardware is included. If the television mounting hardware you need is not included please consult your local hardware store or call MORryde customer service.

SUPPLIED PARTS AND HARDWARE: Please note that you will not need all of the provided hardware to complete installation.

Hardware for mounting television: Refer to your television's owners manual or select the appropriate bolt from the hardware provided.

M4



M4 Lock Washer (6)



M4x12mm Bolt (4)



M5 Lock Washer (6)



M5x12mm Bolt (4)

M6



M6 Lock Washer (6)



M6x12mm Bolt (4)



M4x30mm Bolt (4)



M5x30mm Bolt (4)

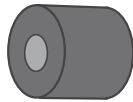


M6x35mm Bolt (4)

M4/M5



#10 Washer (6)



M4/M5 Spacer (4)
Optional*

M6



M6 Spacer (4)
Optional*

M8



M8 x35mm Bolt (4)



M8 Lock Washer (6)



M8x12mm Bolt (4)

*Spacers are for televisions with recessed mounting holes.

Hardware for securing bracket: Select the appropriate length based on the thickness of your mounting surface.

< best for metal applications >

< best for wood applications >



1/4" x 1" Self-drilling Screw (8)



1/4" x 1" Lag Bolt (8)



1/4" x 1-1/2" Lag Bolt (8)



1/4" ID Washer (8)

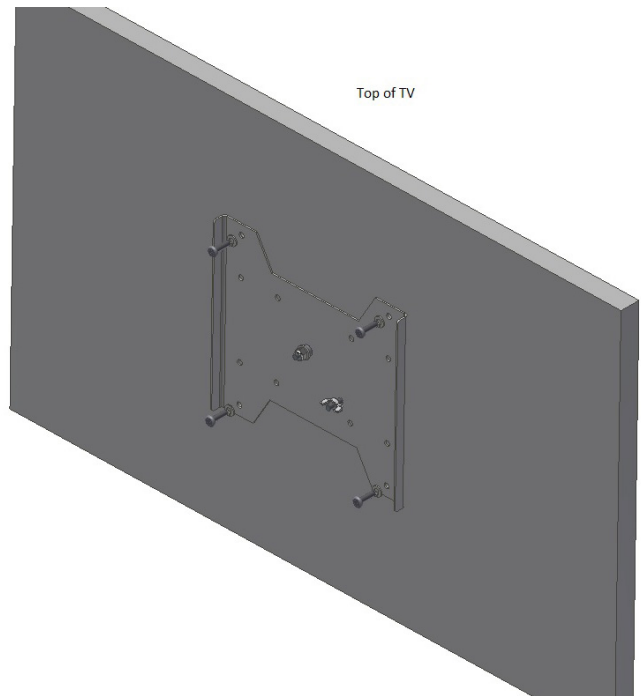
Installation Instructions for TV56-129H (CONT.)

Prepare television for installation: If your television came with a stand, please remove the stand by referring to your television's owner's manual and ensure the hardware has been removed from the mounting holes.

STEP 1: Remove TV mount plate by loosening wing nut on the back side and sliding plate to the left then straight away from mount.

STEP 2: Secure the mount to the mounting surface: pre-drill holes using a 1/8" drill bit. Use lag bolts or self tapping screws (depending on your mounting surface) with 1/4" washers to secure base of bracket to the mounting surface.

STEP 3: Secure the television to mounting plate. Line up hole pattern on your television with the matching hole pattern on the universal mounting plate as close to the center as possible. Using the appropriate mounting hardware, washers, and optional spacers, secure the television to the mounting plate.



STEP 4: Attach TV with connected plate to the mount by moving straight into mount and then sliding TV and plate all the way to the right. Tighten wing nut to secure.

NOTE: This mount should be in the locked position during travel.

⚠ CAUTION: This step may require two people to lift the TV onto the bracket and secure. MORryde is not responsible for property damage and/or personal injury.

