

JP54-038

TRAIL KITCHEN

INSTALLATION INSTRUCTIONS



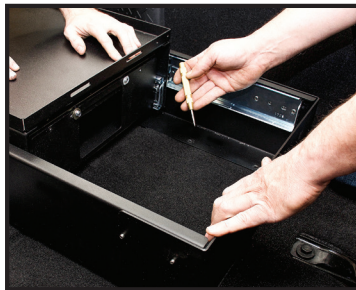
STEP 1

Position the front, driver-side corner of the kitchen 8" away from the end of the cargo area in the trunk of the Jeep. Make sure it lines it up with the plastic liner on the floor.



STEP 2

Use the center punch to mark the centers of the 4 rear-most holes in the Trail Kitchen onto the floor pan of the Jeep.



STEP 3

Peel back carpet to reveal bare floor pan and locate center punch marks.

STEP 4

Locate the center punch marks made in Step 2. Use a 1/2" drill bit to drill holes into the floor pan at those marks.



Tools Needed

- | | |
|----------------|-----------------------|
| Center Punch | Riv Nut Installation: |
| Tape Measure | - 1/2" Wrench |
| Hand Drill | - 9/16" Wrench |
| 1/2" Drill Bit | - 3/8" Nut |
| Spacer | - 5/16-18" Bolt |
| Box Cutter | - Lock Washer |
| | - 5/16-18" Rivet Nut |

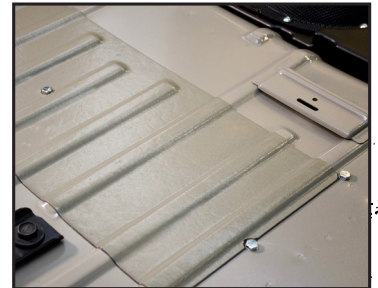
STEP 5*

Install 5/16" riv nuts into the 1/2" holes made in Step 4.



STEP 6

Thread supplied 5/16"-18 hex head bolts halfway into the riv nuts. Lay the carpet back over the riv nuts.



NOTE: Prior to drilling into the floor, please ensure that your undercarriage has proper clearances and is free of all tanks, lines, electrical, or any other items that may be in risk of being damaged.

* Riv Nut Installation is on Back

MORryde

HEAVY. DUTY. ADVENTURE.

www.MORryde.com • 574.293.1581



JP54-038

TRAIL KITCHEN

INSTALLATION INSTRUCTIONS

STEP 7

Locate the bolt heads and cut a slit into the carpet at all bolt locations. Pull the bolt through the carpet.



STEP 9

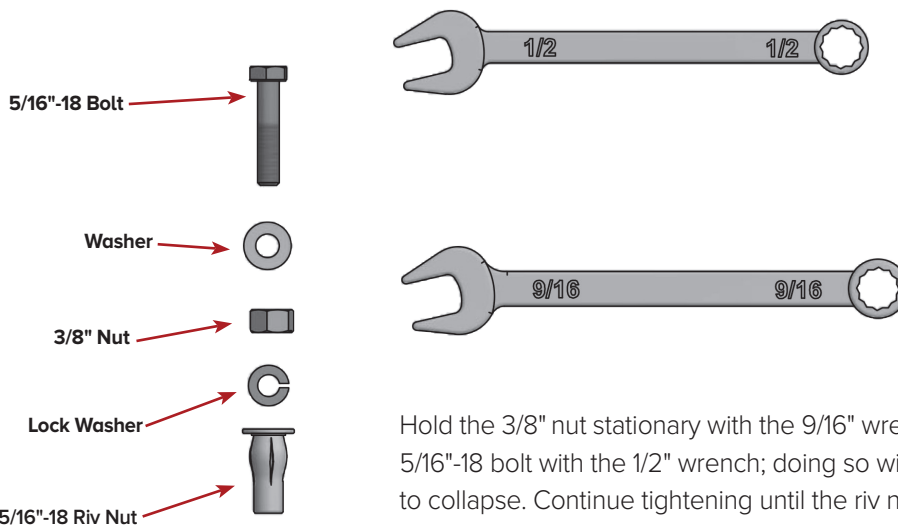
Install a spacer between the riv nut and carpet. Fasten the Trail Kitchen to the Jeep using 5/16"-18 hex head bolt, washer, and lock washer.



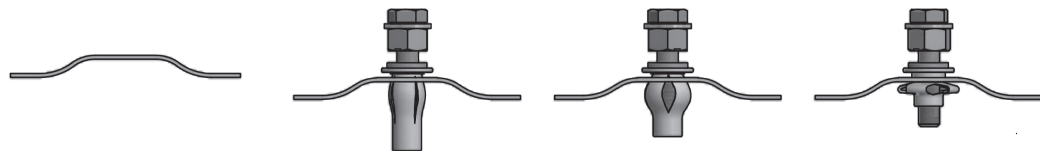
STEP 8

Remove 5/16"-18 hex head bolts from the riv nuts and line up the Trail Kitchen with the now-installed riv nuts.

RIV NUT INSTALLATION INSTRUCTIONS



Hold the 3/8" nut stationary with the 9/16" wrench and tighten the 5/16"-18 bolt with the 1/2" wrench; doing so will cause the riv nut to collapse. Continue tightening until the riv nut is fully collapsed.



MORryde

HEAVY. DUTY. ADVENTURE.

www.MORryde.com • 574.293.1581