

GREYSTONE®

INSTRUCTION MANUAL

3 Burner HOB
with Convection Microwave

Models: HFK2421A



Table of Contents

Product Introduction.....	3
Safeguard Measures.....	4
Safeguard Preparations.....	5
Install Information.....	9
Range Features	18
Product Troubleshooting.....	19
Sanitation & Upkeep	20
Exploded-View Drawing.....	21
Product Warranty Information.....	23
Warranty Contact Information.....	25

Product Introduction

Thank you for your purchase of the Greystone Gas Range! before the use of your new Greystone Gas Range, please review this users manual carefully. This user and instruction guide contains useful information pertaining to safety, maintenance/upkeep, installation, functions, features, and warranty.

Please do not dispose of this user manual , as you may need to refer to this guide in the future. If you should ever need to pass this user manual to any future owner of the gas range, please do so. By following the information in this users manual could reduced the risk of injury and will provide information for safety use.

If these instructions are now followed in anyway, Greystone does not accept any responsibility for injury or damage

Safeguard Measures

⚠️WARNING : this symbol indicates a safety alert, it will alert you to possible hazards that can cause serious bodily harm, property damage or even death. The safety symbol will precede important messages about safety.

WARNING: If one does not follow the instructions in this guide exactly, an explosion or fire may result in personal injury, property damage, or even death.

Do not use or keep storage of flammable substances; such as gasoline, or any other flammable substances or liquids; near this product or any appliance.

IN THE EVENT THAT A GAS SMELL IS PRESENT:

- Do NOT attempt to ignite or light ANY appliance or incendiary device
- Do NOT touch ANY electrical switch
- Do NOT use any phone or electrical device in your recreational vehicle
- Evacuate the recreational vehicle of all occupants and pets
- Shut off the main gas supply or gas tanks supply valve
- From a location away from the gas smell and recreational vehicle, call your gas supplier immediately for further instructions.
- If your gas supplier can not be reached, proceed to call the local fire department or 9-1-1 immediately.
- Have the gas range and system checked and have the leakage source solved by a qualified installer, manufacturer or dealer, the gas supplier, or a service agency.

Caution

Caution: Hazards or unsafe practices CAN result in minor personal injury or harm.

Read the following instructions carefully before attempting the following application to prevent the potential risk of electric shock, fire, damage to the appliance or personal injury. Please use appliance only for its intended purpose as described by this manual.

If you are using an external electrical source please ensure that the appliance is electrically grounded in accordance to state or other codes such as the National Electric Code (NFPA70/AN51). Do NOT attempt to repair, adjust, service, or replace any parts on your appliance, unless specifically recommended by this manual. Other services should be referred to a qualified service technician.

The warning and important safety instructions appearing in this guide are not meant to cover every condition and possible situation that may occur. Caution, common sense and care must be practiced when maintaining operating, or installing your appliance. One should always contact the manufacturer about conditions or problems you do not understand.

INSTRUCTIONS FOR SAFETY

- Do NOT overload the over door as it could tip the appliance over.
- Before using this appliance one should remove all tape and packaging. Destroy the carton and plastic bag after unpacking the appliance, please dispose of this properly, and never allow children to play with the packaging material.

- This appliance should be installed properly by a qualified technician, in accordance with local and state regulations and law.
- Never modify or alter the appliance by removing screw, anti-tip brackets, level-ling legs, panels or any other part of the product.
- Do not use the oven or warmer drawer for storage.
- Do not store objects that could be of interest for children in the cabinets above the appliance. A child could attempt to climb onto the appliance to reach these items and could be harmed or seriously injured.

WARNING

Do NOT use this range as space heater to warm a room, as this may cause carbon monoxide poisoning and overheating the oven.

Do NOT cover the rear vent on the countertop, the internal cavity holes, or the cover the space at bottom of the oven door. Never cover the rack completely with materials like aluminum foil or any other flammable objects. Doing this can cause an air flow block; carbon monoxide poisoning, fire, or explosions may occur as a result.

- The range must be separated from the gas supply piping system by closings its manual shutoff valve during any pressure testing that equal to or less than 1/2psi(3.5KPa).
- Do NOT touch surface burners, space near these burners, the oven burners, or any interior surfaces of the warmer drawers or oven.

During and after use, do NOT touch or allow flammable materials, objects, or clothing to touch or come into contact with these areas until they have cooled down. Any burners; surface or oven; may be hot even though flames are not visible. These burners may still be hot enough to inflict burns or injuries.

- DO NOT wear loose fitting or clothing that hangs while operating this range, as these items could catch fire and cause serious injury or property damage.
- When heating grease, oil or fat, watch it closely. Oils, fats, or grease can catch fire if they become too hot. In the event of a grease or oil fire, smother the fire with the pan lid, use baking soda, or a dry chemical, or foam type fire extinguishers. **DO NOT USE WATER OR FLOUR!**
- The space in which the range is be installed into should be constructed so that the range is framed in and guarded to prevent creation or storage space around the range.

WARNING

Gas leaks may occur in the system and result in dangerous conditions. In some situations, a gas leak may not be detectable by smell. Gas suppliers recommend you purchase and install a UL approved gas detector. These detectors should be installed in accordance to the manufacturers instructions.

Do NOT use wet or damp potholders, only use dry potholders. Do NOT let the potholders touch hot or heating burners. Do NOT use a towel or other bulky cloth in place of a potholder.

Do NOT heat unopened food containers as the pressure of heat or steam could buildup, this may cause the container to rupture or explode and could cause harm or serious injury.

Upon storage or disposal of the appliance, please remove the oven door before doing so.

CAUTION: Never attempt to utilize the ranged during a power failure. During the event the power fails during use, always shut off the oven, as your appliance may turn on unsupervised as the power restores.

INSTRUCTIONS FOR COOKTOP USAGE:

- Using the correct flame size: Flame should be adjusted so that it does not exceed beyond the edge of your utensils such as a pot or pan. Undersized utensils may expose a portion of the burner and flame, they may result in the combustion of fabric or clothing if they make contact with the flame. Using correctly sized pots or pans will improve efficiency and safety.
- Do not use stove top grills on a sealed gas burner, doing so may cause incomplete combustion and this may result in carbon monoxide poisoning.
- Please memorize the knobs and their corresponding burners which they control. Always place a pan on the burner before starting a flame. And always turn off the burner before removing pan.
- Always turn the knob all the way to the “Light” mark when igniting the range’s top burners, always then check to see if flames are visible, ensuring that the burner is then lit.
- Do NOT face pot or pan handles outward, they should always be facing inward but not directly over another flame. This practice can reduce the risk of serious burns, spillage, or even the combustion of flammable items or materials; in the event there is accidental contact with the handle.
- Do NOT leave the range’s top burners on a high heat setting unattended, the failure to supervise can result in a boil over which can cause smoke, or a grease fire.

- Always use a broiler pan with insert: The broiler pan insert allows dripping oil and fat to drain away from the broiler.
- Never cover broiler insert with aluminum foil: Grease and fat could ignite and catch fire if exposed.
- Never touch interior of oven or heating elements: The ovens heating elements, despite being dark in appearance could be very hot and could cause burns or serious injury.
- Never touch any areas on or near the vent panel (back of product): The vent panel may be hot during use, and could cause burns.

Cleaning Instructions

You should always clean your range regularly, and keep all parts grease free to prevent fire: Clean all grease filters. Never allow grease to build up on filter or hood, grease buildup could ignite.

INSTALLING YOUR APPLIANCE

The installation of your range **MUST** conform with state or local laws and codes, in the absence of codes and laws, please use the standard for RV's (NFPA 1192/AN51)

WARNING

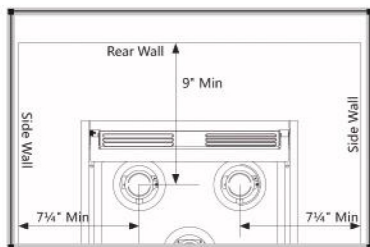
When installing this range, you must adhere to the written instructions in this guide. No representative, agent, or employee of the manufacturer of GREYSTONE or any other person(s) has authorization to do any kind of modifications, provisions/edits, or changes to the instructions mentioned in this users manual.

CABINET SPECIFICATIONS

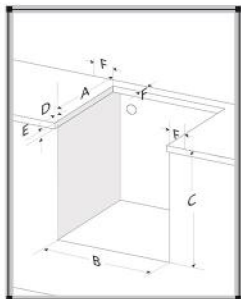
To ensure proper operation of your range, suitable cabinets must be used. Cabinets must be level with the bottom of the supported range.

Cabinet specification information:

- There must be a ventilation hole in the cabinet for air circulation. A gap at the bottom of the oven, with a minimum of $3/8''$, will also provide proper air circulation.
 - The minimum vertical distance from the cooking top is $30''$. To reduce distance use non-combustible materials and construction can reduce the distance required.
 - If cabinets are installed above the cooktop, the maximum depth is $13''$. If the range hood is below the cabinet, there is no limitation for the cabinet depth.
 - The minimum distance between the vehicle/trailer floor and bottom of the cut out is $4''$. The minimum distance to the bottom of the range hood is $19.5''$
 - The minimum horizontal distance from the rear wall will be no more than $9''$ adjacent to the vertical combustible wall.
 - The minimum horizontal distance from the side wall will be no more than $7.25''$ adjacent to the vertical combustible wall.
- All measurements are distances from the center of the burner, out



Cabinet and counter cutout:

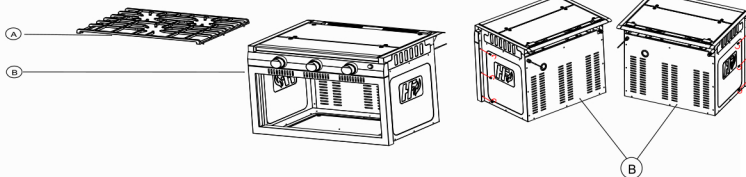


A	B	C	D	E	F
19"	22.19"	18.75"	0.94"	1.56"	2"
483mm	564mm	476mm	23mm	40mm	51mm

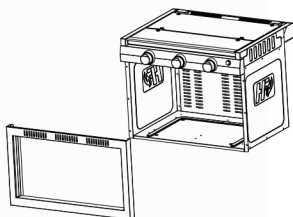
How to Install Gas Range Oven:

Once the gas line is in place and the cabinet has been prepared in accordance to the dimensions previously provided:

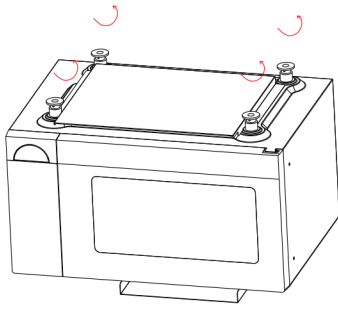
1. Take out the Oven Cabinet from the package. Anticlockwise unscrew the 6 fixing screws of the front plate.



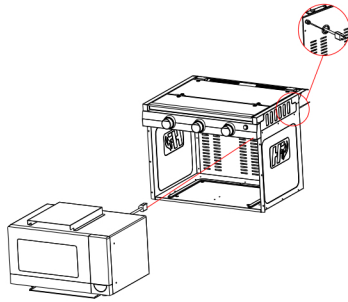
2. Take out the front plate from the Oven Cabinet.



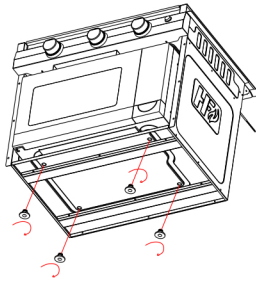
3. Place the Oven Cabinet upside down. Anticlockwise unscrew the 4 feet.



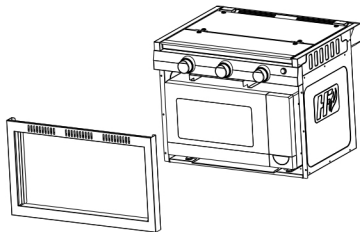
4. Insert the microwave oven into the cabinet. Please put the microwave oven plug through the wiring hole.



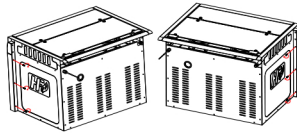
5. Screw clockwise and tighten the four feet to fix the microwave oven.



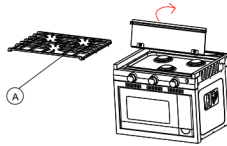
6. Assemble the front plate to the Oven Cabinet.



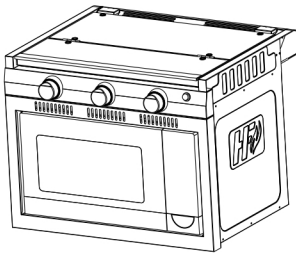
7. Screw clockwise and tighten the 6 fixing screw of the front plate.



8. Grill assembly.



8. Done.



ELECTRICAL CONNECTION:

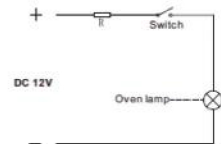
Range Oven without Light -Emitting- Diode (LED) lighting: Attach the wires of oven and lamp to a 12V DC circuit with a fuse protected and a max rating of no more than 15 amps.

Note: Make sure to connect the wires with the correct polarity.

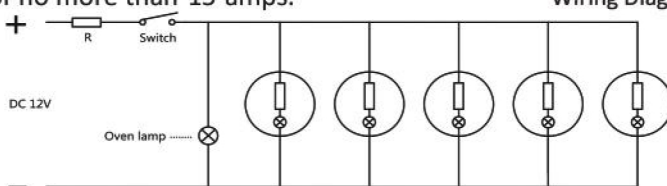
Black = + (positive)

White = - (negative)

Range Oven without Light -Emitting- Diode (LED) lighting: Attach the light wires to a 12V DC circuit with a fuse protector and a max rating of no more than 15 amps.



Wiring Diagram



Wiring Diagram

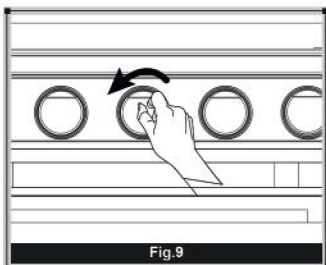
How to Light TOP Burners:

WARNING

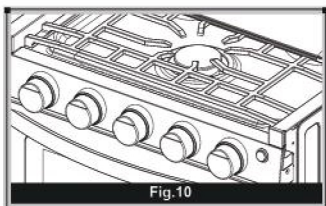
Top cover must be open when main burner is in operation. Based on safety considerations, the top burner flame size should be adjusted so it does not extend beyond the edge of the cooking utensil.

Lighting TOP burner with match:

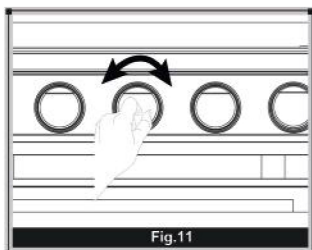
1. Make sure and check that ALL knobs are turned to the OFF position before lighting with match
2. Ensure the main gas valve is in the open position
3. Rotate the appropriate burner knob counterclockwise to "HI" position. (Fig. 9)



4. PROMPTLY position an extended lit wooden match, or use an extended butane lighter, through the grate spaces, nearest the burner port, to light the burner. Repeat steps 4 & 5 to light desired burners (Fig. 10)

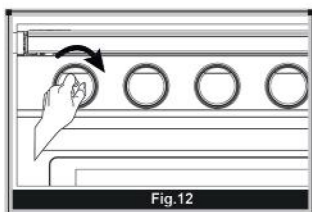


5. To Adjust to the desired flame, push and rotate the burner control knob (Fig. 11)



Igniting Gas Range Electronically:

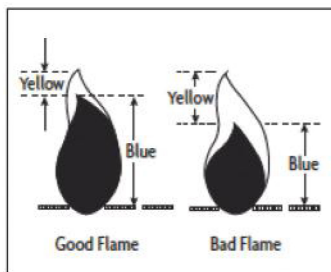
1. Ensure all control knobs are in their OFF positions
2. Ensure the main gas tank valve is ajar
3. Turn the desired control knob counterclockwise to HI setting, **DONOT LIGHT** more than one burner simultaneously
4. Immediately after the control knob is set, turn the ignition knob clockwise multiple times or until the burner lights.



Turning the gas range flame OFF:

To turn the oven or burner flame off, push and turn the control knob clockwise until the knob is in the OFF position. If you travel and need to refuel your gas tank, **ALWAYS** turn the tank valve off

Useful information on proper flame for burner: Gas burners will tend to burn blue, if the ration of fuel to air is adjusted properly.



Burner flames that burn yellow on the tip of the flame (over 1 inch) is a sign that the burner is not receiving enough air for the combustion of gas. If the tip of the flame, is more yellow in appearance, this could indicate that the burners

air shutter (or Venturi) needs to be adjusted, so that they can produce more air. Please be aware of any carbon or soot deposits that may build up on the burner as this too will affect the burners ability to cook evenly and properly.

This Gas Range oven comes with an LED light feature! Simply press the button to turn the oven LED light on and off.

ALWAYS PREFORM A GAS LEAK CHECK BEFORE USING GAS RANGE!

Before operating the gas range, always preform an analysis or check for a gas leak. DO NOT use gas range until the leak test is preformed and confirmed there are no gas leak indications. Test for leaks by using between 11-13.8 WC pressure.

- if there is a gas leak detected, replace the defective part recommended by the manufacturer or tighten the loose joint properly

WARNING

BEFORE TESTING FOR GAS LEAK

1. Ensure gas range controls are in their OFF positions.
2. Never test for leaks with any open flames present
3. Do not smoke when testing for gas leaks
4. Use a soapy solution to detect gas leaks. If there are bubbles present, there is a gas leak.

WARNING

MERCHANDISE HARM RISK!

! If the control knob is set to the LIGHT position, DO NOT COOK as damage may occur to the ignition module and the burner electrodes

! DO NOT LET children or pets play near, at, or around gas range. Be cautious as range can tip/fall if pulled. ALWAYS check oven before setting oven temperature.

! DO NOT USE cookware that exceeds 1 inch larger than the burner grate. If oversized cookware is used, this may cause extreme heat build-up and may result in destruction to the burner grate, burner, and/or cooktop (maximum pan size= 10 inches)

! DO NOT USE any cooking pan, griddle, or any cooking instrument that covers more than one burner at any time. Maximum pan size is a 10 inch skillet. Any cooking instrument larger than 10 inches, is strictly prohibited. If this instruction is not followed, results may cause large amounts of heat that could result in the liquefying of the item or could result in damage to the burner grates or range top.

! Leaving an empty or boiled dry cooking utensil on a hot burner, could result in damage to the cooking utensil or could result in serious damage and/or fire. Remove all pans/cooking utensils, when not in use

Cooking Tip

Preheat the oven 15 minutes before placing food to bake

Range Features

Optional Power	Gas power
BTU/HR	Burner: 8000 BTU
	Oven: 7100 BTU
Fuel/Power	Propane
Inlet Pressure	10" WC Min to 13.8" WC Max 11" mbar

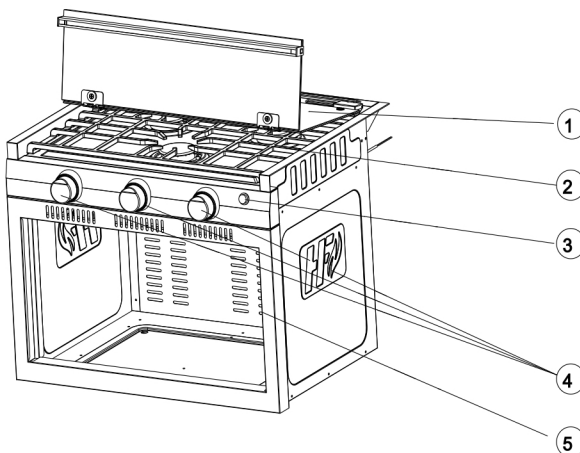
1	Glass Cover
2	Grill
3	Back light
4	Top Burner Control Knob
5	Front plate of box

This appliance conforms to the directive:

ANSI Z21.57-2010 Recreational Vehicle Cooking Gas Appliances

ANSI Z21.57a-2012 Addenda to Recreational Vehicle Cooking Gas Appliances

CAN1-1.16-M79 (reaffirmed 2016) Propane Cooking Appliance For Recreational Vehicles



Product Troubleshooting

PROBLEM/SYMPTOM	POSSIBLE CAUSE/SOLUTION
Area surface burners will not ignite or area surface burners do not ignite uniformly	Surface control knob has not been fully rotated to the LIGHT position.
	Check to see if gas valve is open. If not, open it.
	Burners are clogged. Make sure burner is off. Use a small wire, toothbrush or needle to clean burner ports and slots.
	Low gas level in tank. Refill or replace gas tank.
	Low battery power. Replace AAA battery which is under igniter cap.
	There is moisture on the burner. With burner off, dry burner thoroughly
Surface burner flame is yellow or orange instead of blue	Debris may be present in gas line. Let burner run for a few minutes to see if flame changes to blue.
	Humid air in the home, sometimes caused by running a humidifier, may cause flames to be burn yellow.

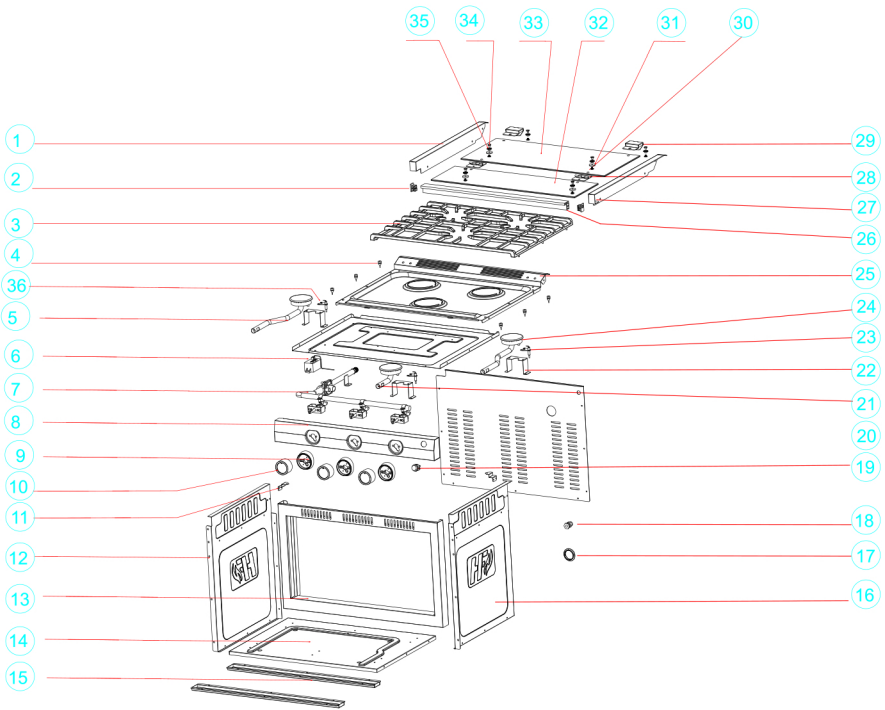
Sanitation & Upkeep

- Ensure all control knobs are in OFF position before cleaning.
- Ensure the cook-top and all components relating to the gas range are cooled off before touching or cleaning.
- When cleaning the oven, only use an oven cleaner specifically designed for ovens. Ensure proper usage of the oven cleaner by following the oven cleaners instructions thoroughly.
- If there is a spill on the gas range, cook-top, grate(s), burner caps, or any other component of the gas range, clean the spill right away (make sure the range is cooled off) as leaving any spill can result in the discoloration or staining of your range or stainless steel.
- Always use caution when cleaning, especially around the burners. If caution is not used, you may catch the metal igniter electrode on your cleaning item (such as your sponge or washcloth, etc.) which can damage or break the metal igniter electrode. If the metal igniter electrode is damaged, the igniter may not ignite.
- If you wish to clean or wash porcelain surfaces, you must allow the areas to cool beforehand. Hot porcelain can crack and can also burn flesh.
- The best way to clean the cook-top porcelain surfaces, stainless steel surfaces, painted surfaces, burner grates, plastic items, or any other items relating to the gas range is to use a mild soapy water solution.

THE DO NOT'S OF SANITATION AND UPKEEP:

- DO NOT USE oven cleaners on any surface, other than the oven.
- DO NOT USE bleach.
- DO NOT USE rust removers.
- DO NOT USE steel wool, only use non abrasive pads; such as the soft side of a sponge or a soft washcloth.
- DO NOT USE any abrasive, gritty, or acid-type like cleaners.
- DO NOT BLOCK movement of combustion a.k.a air ventilation.
- DO NOT STORE flammable liquids or vapors (such as gasoline) or any other combustible equipment or materials near, at, or around the gas range.
- DO NOT USE any metallic or wire brush to clean any components relating to the range oven. Some wire or metallic brushes those their bristles and these bristles could get stuck in the burner ports or other small crevices and could result in a explosion or a fire.
- DO NOT ALLOW food that contains acids such as: vinegar, citrus juices (lemon, lime, grapefruit, etc) tomatoes, etc. to remain on any painted, porcelain, cook-top, grates, or any other surface relating to the gas range. Some acids react to the paint and gloss that is used. If an egg spill should occur, clean the egg spill when cook-top has cooled down, do not allow the egg spill to remain on surface.

Exploded-view Drawing



No.	Part Name	Material	QTY.	No.	Part Name	Material	QTY.
1	Left side panel of top panel	SUS430#	1	19	Power Switch	#	1
2	Plug of glass handle	Black silicon	2	20	Rear cabinet panel	Galvanized sheet	1
3	Cooking Rack	Cast iron	1	21	Middle Burner assembly	Die-casting aluminum with SUS201# gas injector	1
4	Cooking Rack Cushion	Black silicon	6	22	Middle Burner bracket	SUS430#	1
5	Left side burner assembly	Die-casting aluminum with SUS201# gas injector	1	23	Right Ignition Needle	component	1
6	Pluse ignition ion source	#	1	24	Right Burner assembly	Aluminum valve with pluse pressure stabilizing valve	1
7	Valve	Aluminum valve with pluse pressure stabilizing valve	1	25	Top Panel	SPCC	1
8	Control panel	SUS430#	1	26	Glass handle	ABS	1
9	Knob base	#	3	27	Right side panel of top panel	SUS430#	1
10	Knob	#	3	28	Middle Hinge of glass	SPCC	2
11	Control panel bracket	Galvanized sheet	1	29	Rear Hinge of glass	SPCC	2
12	Left side panel of Cabinet	Galvanized sheet	1	30	Bolt of glass hinge	A3	6
13	Cabinet Front panel	SUS430#	1	31	Anti-vibration pad of glass	Black silicon	4
14	Cabinet Bottom panel	Galvanized sheet	1	32	Front glass	glass	1
15	Support of Cabinet Bottom panel	Galvanized sheet	2	33	Rear glass	glass	1
16	Right side panel of Cabinet	Galvanized sheet	1	34	Nut of glass hinge	A3	6
17	Protection ring of Power cord	ABS	1	35	Nut cover of glass hinge	ABS	6
18	Waterproof Cable plug	Nylon	1	36	Left-middle Ionition Needle	comoonent	2

Product Warranty Information

Your GREYSTONE appliance is covered by a one-year limited warranty. For one year from your original date of purchase of the original purchaser, GREYSTONE will pay costs for repairing or replacing any parts of this appliance that prove to be defective in materials or workmanship when such appliance is installed, using and maintained in accordance with the provided instructions.

Exclusions

This warranty does not cover the following:

1. Products on which original serial numbers have been removed, can not be determined, or altered in any way
2. Product that has been transferred from its original owner to another party. Product has been removed outside of the USA or Canada
3. Rust on the interior or exterior of the unit.
4. Products that have been purchased secondhand
5. Commercial use of product.
6. Service calls which do not involve malfunction or defects in materials or workmanship, or for appliances not in ordinary household use or used other than in accordance with the provided instructions
7. Service calls to correct the installation of your appliance or to instruct you how to use your appliance.
8. Expenses for making the appliance accessible for servicing, such as removal of trim, cupboards, shelves, etc., which are not a part of the appliance when it is shipped from the factory.
9. Service calls to repair knobs, buttons, handles, or other cosmetic parts.
10. Surcharges including, but not limited to, any after hour, weekend, or holiday service calls, tolls, ferry trip charges, mileage expense for service calls to remote areas, including the state of Alaska.

11. Damage to the finish of appliance, RV, or home incurred during installation, including but not limited to floors, cabinets, walls, etc.
12. Damage caused by services performed by unauthorized service companies, use of parts other than genuine GREYSTONE parts or parts obtained from persons other than authorized service companies, or external causes such as abuse, misuse, inadequate power supply, accidents, fires, or acts of God.

The customer's sole or exclusive remedy under this limited warranty shall be product or repair or replacement as provided herein. Claims based on implied warranties, including warranties of merchantability or fitness for particular purpose, are limited to one year or the shortest period allowed by law, but not less than one year. GREYSTONE shall not be liable for consequential or incidental damages such as property damage and incidental expenses resulting from any breach of this written limited warranty or any implied warranties, so these limitations or exclusions may not apply to you. This written warranty gives you specific legal rights. You may also have other rights that vary from state to state.

Proof of purchase may be required for warranty purposes. If service, of any kind, is performed please obtain and keep all original receipts. Product features or specifications as described or illustrated are subject to change without notice.

GREYSTONE

WAY

For further information, please contact:

Way Interglobal Network, LLC
3002 Coast Ct
Elkhart IN 46514

(574) 971-4490

Hours: Monday- Friday
7:30 a.m. -4 p.m. Eastern Time
Closed Saturday- Sunday

GREYSTONE is a registered Trademark of Way Interglobal Network, LLC
