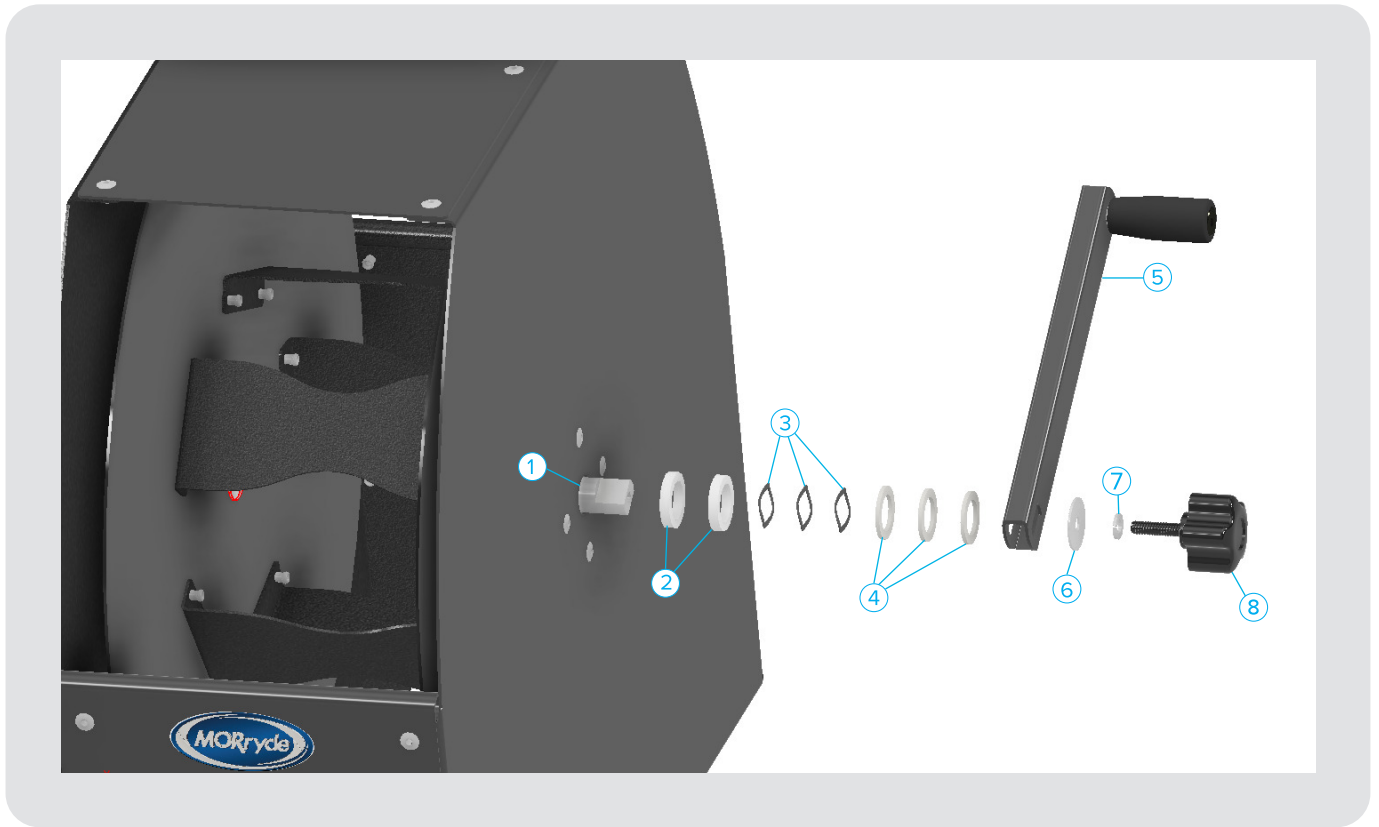


EASY REEL™ CRANK

INSTALLATION INSTRUCTIONS

PARTS LIST



① Machined Piece

③ Wave Washers

⑤ Crank

⑦ Lock Washer

② White Plastic Washers

④ Steel Washers

⑥ Big Washer

⑧ Tension Knob



Above. Beyond. Always.

574.293.1581 • MORryde.com

INSTALLATION INSTRUCTIONS

Step 1

Remove the components from the Easy Reel Box.

Step 2

Insert (2) #2 washers onto the machined piece.

Step 3

Insert (3) #3 washers onto the machined piece.

Step 4

Insert (3) #4 washers onto the machined piece.

Step 5

Line up the slot on the Easy Reel crank with the machined piece and press into place.

Step 6

Attach the #7 lock washer onto the tensioning knob first.

Step 7

Then attach the #6 big washer onto the tensioning knob.

Step 8

Thread the tensioning knob with the washers on it, through the handle and into the machined piece, hand tighten.



QR Code

Scan for video the instructions.



If you have any questions regarding the installation procedure or have difficulty with any of the steps, please give us a call at **574-293-1581** or email parts@morryde.com.



Above. Beyond. Always.

574.293.1581 • MORryde.com