

# Greystone

## 17 Inch Gas Range

SKU: CF-RV17

### MANUFACTURER BENEFITS

- ✓ Provide more usable capacity within the same compact size as other RV ranges
- ✓ Multiple finish options to enhance any upgraded RV kitchen
- ✓ Simple installation - gas hook up and 12V power connection is all that's needed

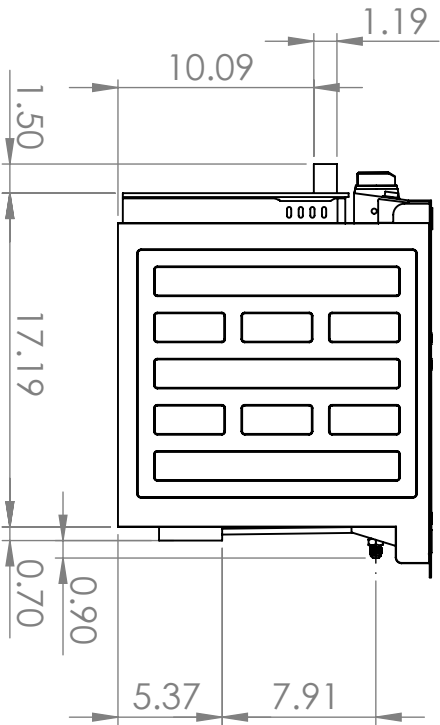
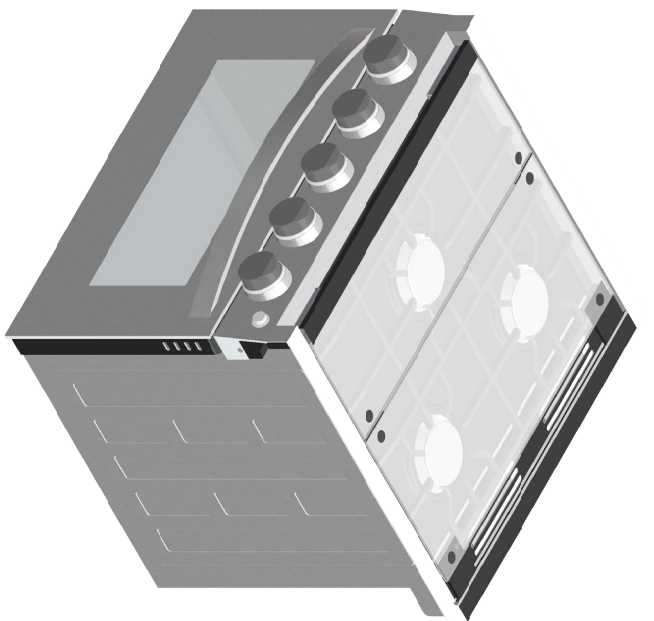
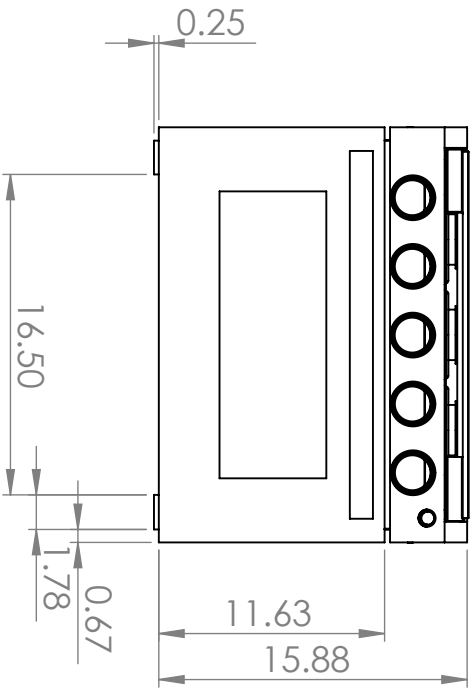
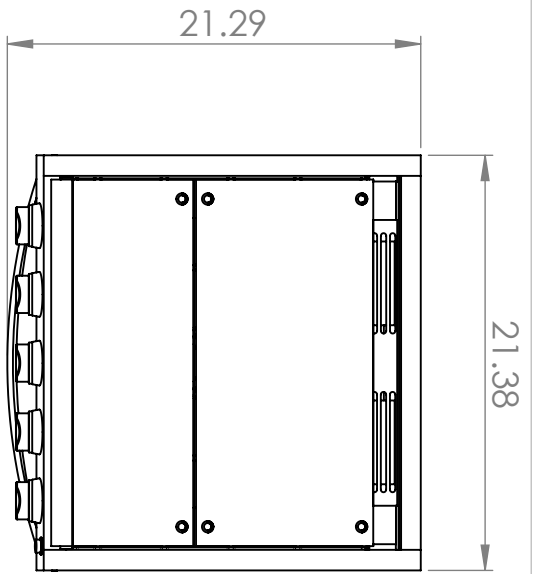
### CONSUMER BENEFITS

- ✓ Three cooktop burners each with 8,000 BTUs of output high heat cooking
- ✓ Our 3D Cooking technology enables faster and more even cooking up to 500 degrees
- ✓ Stainless steel finishes and a foldable glass top that fits seamlessly and looks great

### POWERFUL COOKING IN A COMPACT RANGE



**Take your home  
on the road**



VOLTAGE:	12 V DC	MANUFACTURER NO:	CF-RV17	LEFT REAR BURNER BTU:	6,500 BTU
WEIGHT:		INNER OVEN VOLUME:	.9 CU FT	RIGHT REAR BURNER BTU:	6,500 BTU
FUEL/POWER:	PROPANE	OVEN BTU:	7,100 BTU	FRONT BURNER BTU:	8,000 BTU



The contents of this manual are proprietary and copyright protected by Lippert. Lippert prohibits the copying or dissemination of portions of this manual unless prior written consent for an authorized Lippert representation has been provided.

DESCRIPTION:	17 in B.I. Range	DESIGNED:	
TOLERANCE:	±0.005, ±1.0°	DRAWN:	R. STREETER
TECHNICAL REFERENCE:		CHECKED:	
SHEET:	1 OF 1	APPROVED:	C. GREER
REV:		DRAWING NO.:	107738
DATE:	5-27-2021		