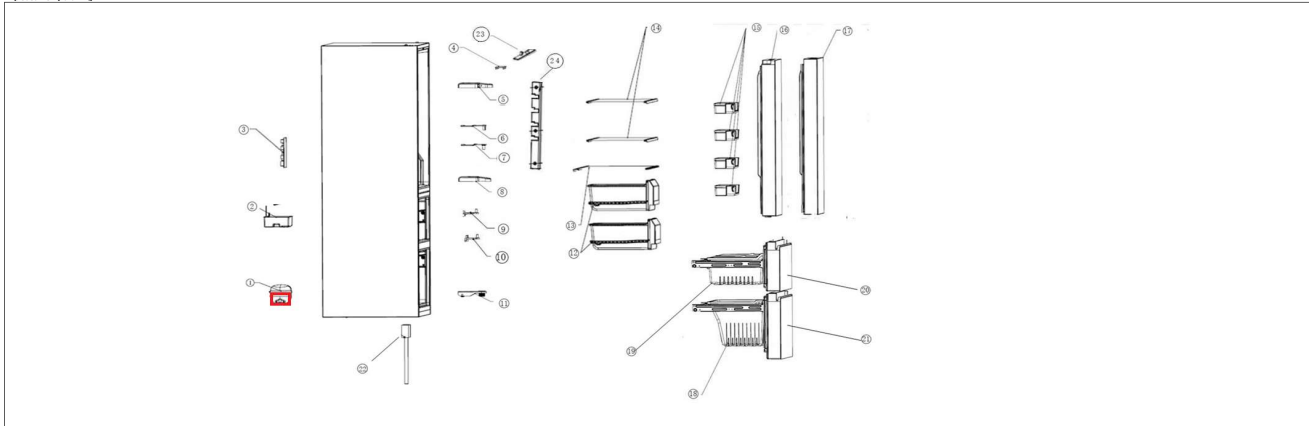


Spare Part List

Item	Product SKU Model	Lippert Item No.	Product Name description
1	SRM-418CBG-E	202230237	EVERCHILL 16.2 CUFT 12V REFER, 4 DOOR-FRENCH, BLK GLASS
2	SRM-418CBG-ES	2022001029	EVERCHILL 16.2 CUFT, 12V REFER, 4 DOOR-FRENCH, SS GLASS
3	SRM-418CB-C	202230206	EVERCHILL 16.2 CUFT, 12V, 4 DOOR-FRENCH, DARKER SS
4			
5			
6			
7			
8			
9			

Team member	Name
Mechanical	
Project Lead	
Merchandiser	
US Engineer	

Exploded view / drawing



Index	Everchill Spare Part No.	Lippert Item No.	Spare Part Name	Qty (s)	Applicable SKU Models	Orderable Spare Part	First Container Spare Part	CP65 Risk	CP65 risk substance
1	82051-001-1411	2023001037	12V REFER PARTS, REFER, COMPRESSOR BOARD FOR SRM-418CBG	1	SRM-418CBG-E / SRM-418CBG-ES	Y			
2	82062-001-M6101	2023021100	12V REFER PARTS, REFER, PCB BOARD FOR SRM-418CBG	1	SRM-418CBG-E / SRM-418CBG-ES	Y			
3	82064-001-M6E53	2023021001	110V REFER PARTS, REFER, PCB BOARD FOR SRM-418CB-C	1	SRM-418CB-C	T			
4	82003-002-2179	2023021302	12V/10V REFER PARTS, REFER, LED LAMP COVER FOR SRM-418CB	1	ALL	Y			
5	82009-200-2176	2023001031	12V REFER PARTS, UPPER DOOR HINGE COVER ASSEMBLY, RH FOR SRM-418CBG	1	SRM-418CBG-E / SRM-418CBG-ES	Y			
6	82006-201-5607	2023021019	110V REFER PARTS, UPPER DOOR HINGE COVER ASSEMBLY, LH FOR SRM-418CB-C	1	SRM-418CB-C	Y			
7	82025-001-3132	2023001032	12V/10V REFER PARTS, UPPER DOOR HINGE, RH FOR SRM-418CB	1	ALL	Y			
8	82025-001-3133	2023001033	12V/10V REFER PARTS, UPPER DOOR HINGE, LH FOR SRM-418CB	1	ALL	Y			
8	82006-201-2177	2023001030	12V REFER PARTS, UPPER DOOR HINGE COVER ASSEMBLY, LH FOR SRM-418CBG	1	SRM-418CBG-E / SRM-418CBG-ES	Y			
9	82006-201-5603	2023021304	110V REFER PARTS, UPPER DOOR HINGE COVER ASSEMBLY, LH FOR SRM-418CB-C	1	SRM-418CB-C	Y			
8	82025-001-2338	2023001035	12V/10V REFER PARTS,MIDDLE DOOR HINGE, RH FOR SRM-418CB	1	ALL	Y			
8	82025-001-2339	2023001034	12V/10V REFER PARTS,MIDDLE DOOR HINGE, LH FOR SRM-418CB	1	ALL	Y			
11	82025-001-2706	2023021305	12V/10V REFER PARTS, LOWER DOOR HINGE ASSEMBLY FOR SRM-418CB	2	ALL	Y			
12	82003-708-5585	2023001042	12V/10V REFER PARTS, REFER, CRISPER DRAWER FOR SRM-418CB	2	ALL	Y			
13	82002-001-4096	2023001043	12V/10V REFER PARTS, REFER, CRISPER DRAWER GLASS COVER FOR SRM-418CB	1	ALL	Y			
14	82000-101-4074	2023001041	12V/10V REFER PARTS, REFER, GLASS SHELF FOR SRM-418CB	2	ALL	Y			
15	82003-709-1939	2023001038	12V/10V REFER PARTS, REFER, DOOR SHELF INSERT FOR SRM-418CB	4	ALL	Y			
16	804-418CBG0001-142	2022302077	12V REFER DOOR ASSEMBLY, BLK GLASS, LHM FOR SRM-418CBG-E	1	SRM-418CBG-E	Y			
16	807-415WGM0001-101	2022302145	12V REFER PARTS, REFER DOOR ASSEMBLY, SS GLASS, LHM FOR SRM-418CBG-ES	1	SRM-418CBG-ES	Y			
16	804-418CBY0001-210	2022449900	110V REFER PARTS, REFER DOOR, DARKER SS, LHM FOR SRM-418CB-C	1	SRM-418CB-C	Y			
17	804-418CBG0001-142	2022302110	12V REFER PARTS, REFER DOOR ASSEMBLY, BLK GLASS, RHM FOR SRM-418CBG-E	1	SRM-418CBG-E	Y			
17	807-415WGM0001-101	2022302173	12V REFER PARTS, REFER DOOR ASSEMBLY, SS GLASS, RHM FOR SRM-418CBG-ES	1	SRM-418CBG-ES	Y			
17	804-418CBY0001-210	2022449901	110V REFER PARTS, REFER DOOR, DARKER SS, RHM FOR SRM-418CB-C	1	SRM-418CB-C	Y			
18	82003-101-5647	2023001040	12V/10V REFER PARTS, REFER, LOWER FREEZER DRAWER FOR SRM-418CB	1	ALL	Y			
19	82009-101-5646	2023001039	12V/10V REFER PARTS, REFER, UPPER FREEZER DRAWER FOR SRM-418CB	1	ALL	Y			
20	804-418CBG0002-142	2022302198	12V REFER PARTS, UPPER FREEZER DOOR ASSEMBLY, BLACK GLASS FOR SRM-418CBG-E	1	SRM-418CBG-E	Y			
20	807-415WGM0002-101	2022302087	12V REFER PARTS, UPPER FREEZER DOOR ASSEMBLY, SS GLASS FOR SRM-418CBG-ES	1	SRM-418CBG-ES	Y			
20	804-418CBY0002-210	2022449904	110V REFER PARTS, UPPER FREEZER DOOR, DARKER SS FOR SRM-418CB-C	1	SRM-418CB-C	Y			
21	804-418CBG0001-142	2022302107	12V REFER PARTS, LOWER FREEZER DOOR ASSEMBLY, BLK GLASS FOR SRM-418CBG-E	1	SRM-418CBG-E	Y			
21	807-415WGM0001-101	2022302086	12V REFER PARTS, LOWER FREEZER DOOR ASSEMBLY, SS GLASS FOR SRM-418CBG-ES	1	SRM-418CBG-ES	Y			
21	804-418CBY0001-210	2022449903	110V REFER PARTS, LOWER FREEZER DOOR, DARKER SS FOR SRM-418CB-C	1	SRM-418CB-C	Y			
22	NR4210-000529-001	2022451177	12V REFER PARTS, FAN ASSEMBLY, FREEZER, SRM-418CB	1	ALL	Y			
23	NR1300-001107-001	2023022849	12V REFER PARTS, REFER, LED LIGHT, SRM-418CB	1	ALL	Y			
24	NR4201-000087-001	2023022850	12V REFER PARTS, REFER, SHELF RETAINER, SRM-418CB	2	ALL	Y			