

Project		Catalog #		Type	
Prepared by		Notes		Date	



## HALO

### LT56 Selectable CCT – Baffle

5”/6” All-Purpose LED Retrofit Module  
600 Lumen Series

#### Typical Applications

Residential

#### Interactive Menu

- Order Information page 2
- Product Specifications page 3
- Energy Data page 3
- Photometric Data page 4
- Product Warranty

#### Product Certification



Refer to ENERGY STAR® Certified Products List.  
Can be used to comply with California Title 24 High Efficacy requirements.  
Certified to California Appliance Efficiency Database under JAB.

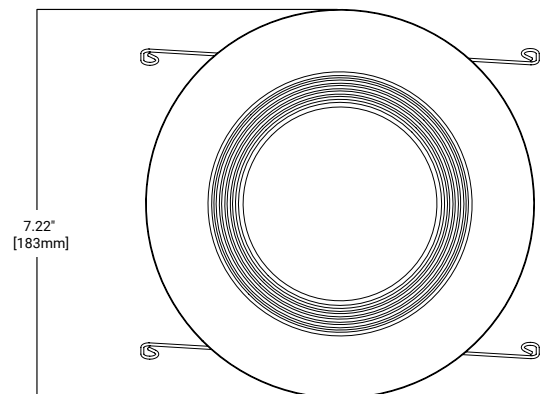
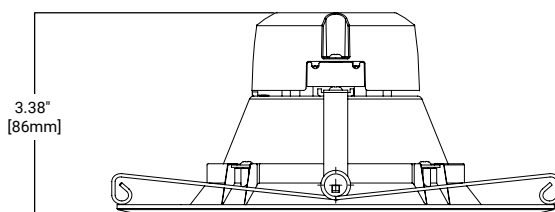
#### Product Features



#### Top Product Features

- Selectable CCT: 2700K, 3000K, 3500K or 3000K, 4000K, 5000K
- Baffle trim
- Dimmable down to 10%
- Retrofits into existing 5” or 6” housings
- Use with Halo 5” or 6” LED housings - new construction and remodel
- Wet location listed and “dead front”

#### Dimensional and Mounting Details



## Order Information

SAMPLE ORDER NUMBER: **LT56069FS351EWHR**

A complete luminaire consists of a housing and a LED integrated trim, order separately.

Module	Lumens	CRI/CCT	Driver	Finish	Packaging
<b>LT56</b> = 5/6-inch LED retrofit module, baffle trim	<b>06</b> = 600 lumens (nominal)	<b>9FS23</b> = 90 CRI min, 2700K, 3000K, 3500K selectable CCT <b>9FS35</b> = 90 CRI min, 3000K, 4000K, 5000K selectable CCT	<b>1E</b> = 120V 60Hz, LE & TE phase cut 10% dimming	<b>WH</b> = Matte White flange	<b>R</b> = Recyclable 4-color unit carton

### Accessories

#### Accessories

**HE26LED** = Replacement medium base (E26) screw base adapter (one included with unit)

### Housings

#### Housings

##### Halo LED 5-inch

**H550ICAT** = 5" LED, Insulated Ceiling, Air-Tite, New Construction Housing  
**H550RICAT** = 5" LED, Insulated Ceiling, Air-Tite, Remodel Housing  
**E550ICAT** = 5" LED, Insulated Ceiling, Air-Tite, New Construction Housing  
**E550RICAT** = 5" LED, Insulated Ceiling, Air-Tite, Remodel Housing  
**H550FR2ICATD010** = 6" IC, airtight, 2 hour fire rated, new construction housing, LED, 120 - 277V

##### Halo LED 6-inch

**H750ICAT** = 6" LED, Insulated Ceiling, Air-Tite, New Construction Housing  
**H750RICAT** = 6" LED, Insulated Ceiling, Air-Tite, Remodel Housing  
**H750T** = 6" LED, Non-IC, Air-Tite, New Construction Housing  
**H750TCP** = 6" LED, Non-IC, New Construction/Remodel Chicago Plenum Housing  
**H2750ICAT** = 6" LED, Shallow, Insulated Ceiling, Air-Tite, New Construction (use with 691X, 694X, 696X trims only)  
**H2750RICAT** = 6" LED, Shallow, Insulated Ceiling, Air-Tite, Remodel (use with 691X, 694X, 696X trims only)  
**E750ICAT** = 6" LED, Insulated Ceiling, Air-Tite, New Construction Housing  
**E750RICAT** = 6" LED, Insulated Ceiling, Air-Tite, Remodel Housing  
**H750FR2ICAT** = 6" IC, airtight, 2 hour fire rated, new construction housing, LED, 120 - 277V

##### Halo LED retrofit

**ML7E26RFK** = 6" Retrofit Enclosure, Non-IC, E26 Screw base Interface  
**ML7BXFK** = 6" Retrofit Enclosure, Non-IC, BX Whip

##### Halo Shallow Housings 5-inch

**H25ICAT** = 5" Shallow, Insulated Ceiling, Air-Tite New Construction  
**H25RICAT** = 5" Shallow, Insulated Ceiling, Air-Tite Remodel  
**H25ICATNB** = 5" Shallow, Insulated Ceiling, Air-Tite New Construction, No Socket Bracket

##### Halo Shallow Housings 6-inch

**H27ICAT** = 6" Shallow, Insulated Ceiling, Air-Tite New Construction  
**H27RICAT** = 6" Shallow, Insulated Ceiling, Air-Tite Remodel Housing  
**H27T** = 6" Shallow, Non-IC, New Construction Housing  
**H27RT** = 6" Shallow, Non-IC, Remodel Housing  
**E27ICAT** = 6" Shallow, Insulated Ceiling, Air-Tite New Construction  
**E27RICAT** = 6" Shallow, Insulated Ceiling, Air-Tite Remodel Housing  
**E27TAT** = 6" Shallow, Non-IC, New Construction Housing  
**E27RTAT** = 6" Shallow, Non-IC, Remodel Housing

##### Halo Standard Housings 5-inch

**H5ICAT** = 5" Insulated Ceiling, Air-Tite New Construction Housing  
**H5RICAT** = 5" Insulated Ceiling, Air-Tite Remodel Housing  
**H5ICATNB** = 5" Insulated Ceiling, Air-Tite New Construction Housing, No Socket Bracket  
**H5T** = 5" Non-IC, New Construction Housing  
**H5RT** = 5" Non-IC, Remodel Housing  
**H5TNB** = 5" Non-IC, New Construction Housing, No Socket Bracket  
**ESICAT** = 5" Insulated Ceiling, Air-Tite New Construction Housing  
**ESRICAT** = 5" Insulated Ceiling, Air-Tite Remodel Housing  
**ESICATNB** = 5" Insulated Ceiling, Air-Tite New Construction Housing, No Socket Bracket  
**ESTAT** = 5" Non-IC, New Construction Housing  
**ESTATNB** = 5" Non-IC, Remodel Housing  
**ESTATNB** = 5" Non-IC, New Construction Housing, No Socket Bracket

##### Halo Standard Housings 6-inch

**H7ICAT** = 6" Insulated Ceiling, Air-Tite New Construction Housing  
**H7RICAT** = 6" Insulated Ceiling, Air-Tite Remodel Housing  
**H7ICT** = 6" Insulated Ceiling, New Construction Housing  
**H7RICT** = 6" Insulated Ceiling, Remodel Housing  
**H7ICATNB** = 6" Insulated Ceiling, Air-Tite New Construction Housing, No Socket Bracket  
**H7ICTNB** = 6" Insulated Ceiling, New Construction Housing, No Socket Bracket  
**H7T** = 6" Non-IC, New Construction Housing  
**H7RT** = 6" Non-IC, Remodel Housing  
**H7TNB** = 6" Non-IC, New Construction Housing, No Socket Bracket  
**H7TCP** = 6" Non-IC, Chicago Plenum, New Construction/Remodel Housing  
**H7UICAT** = 6" Insulated Ceiling, Universal, Air-Tite, New Construction Housing  
**7ICAT** = 6" Insulated Ceiling, Air-Tite New Construction Housing  
**E7RICAT** = 6" Insulated Ceiling, Air-Tite Remodel Housing  
**E7ICATNB** = 6" Insulated Ceiling, Air-Tite New Construction Housing, No Socket Bracket  
**E7TAT** = 6" Non-IC, New Construction Housing  
**E7RTAT** = 6" Non-IC, Remodel Housing  
**E7TATNB** = 6" Non-IC, New Construction Housing, No Socket Bracket

#### Notes

**LT56 Series LED Retrofit is UL Classified for retrofit in the following 5/6" recessed housings:**

The LT Series LED light module - trim combination is cULus Listed or UL Classified for use with any 5"/6" diameter recessed housing constructed of steel or aluminum with an internal volume that exceeds 107.9 in3 in addition to those noted above.

## Specification Features

### Module

- LED module consists of LED array, optical assembly, driver and self-flanged trim
- Baffle style trim
- Achieving L70 at 35,000 hours in IC and non-IC applications

### Gaskets

- Closed cell gasket achieves restrictive airflow requirements without additional caulking

### LED Array

- A plurality of low power LEDs provide a uniform source with high efficiency and long life
- Available in 90 CRI minimum, R9 greater than 50 and color accuracy within 4 SDCM provide color accuracy and uniformity
- Available in 3-color selectable CCT: choose 2700K, 3000K, 3500K or 3000K, 4000K, 5000K

### Optical Assembly

- Optical assembly provides wide distribution useful for general and task lighting
- Diffuse injection molded lens with contoured profile provides uniformity and a familiar lamp like appearance
- Meets ENERGY STAR® color angular uniformity requirements

### Driver

- Integral 120V 60 Hz constant current driver provides high efficiency operation
- Continuous, flicker-free dimming from 100% to 10% with select leading or trailing edge 120V phase cut dimmers – consult dimming guide for more information
- Consult dimmer manufacturer for compatibility and conditions of use
- Inline electrical quick connect and E26 adapter (provided) provides mains connection
- A separate ground wire and mounting hardware insures proper ground connection to housing

### Retention

- Heat treated friction blades hold module securely to the housing
- Torsion springs are pre-installed and adjust to fit 5" and 6" compatible housings

### Trim

- One-piece smooth splay or step baffle and self-flanged trim ring provides lens regression and reduces light leaks
- Injection molded plastic construction is impact resistant and non-corrosive
- Non-conductive construction meets most local code 'dead front' requirements

### Compliance

- UL Certified for US and Canada for use with Halo housings, classified for use with other's housings, see instruction sheet for conditions of acceptability
- Wet location listed
- Air-tite per ASTM-E283
- Suitable for use in clothes closets when installed in accordance with the NEC 410.16 spacing requirements
- EMI/RFI emissions per FCC 47CFR Part 15 consumer limits
- Contains no mercury or lead and RoHS compliant
- Photometric testing in accordance with IES LM79-08
- Lumen maintenance projections in accordance with IES LM-80-08 and TM-21-11
- Can be used for State of California Title 24 high efficacy luminaire compliance, reference the California Energy Commission Title 20 Appliance Efficiency Database for current listings
- ENERGY STAR® listed, reference database for current listings
- Meets State of California voluntary lamp standards

### Warranty

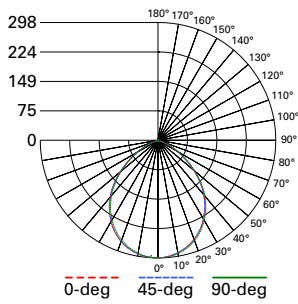
- Five year limited warranty, consult website for details. [www.cooperlighting.com/legal](http://www.cooperlighting.com/legal)

## Energy Data

Energy Data	
Lumens	600 Series
Input Voltage	120V
Input Current	0.06 (A)
Input Power	6.97 (W)
Efficiency	Up to 88 (LPW)
Inrush	2 (A)
THD: ≤ 17.2%	
PF: ≥ 0.960	
T Ambient -30 - +40°C	
Sound Rating ≤ 23dba	

## Photometric Data

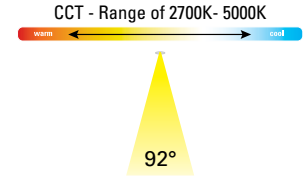
[View IES files](#)



**LT56069FS231EWHR - 2700K**  
 Spacing criterion: (0-180) 1.18  
 (90-270) 1.18  
 (Diagonal) 1.25  
 Beam Angle: 92°  
 Lumens: 623  
 Input Watts: 6.75 W  
 Efficacy: 92.2 LPW  
 UGR: 17  
 Test Report:  
 LT56069FS231EWHR.ies

Zonal Lumen	Lumens	% Lumens
0-30	225	36.1
0-40	356	57.3
0-60	560	90
0-90	619	99.4

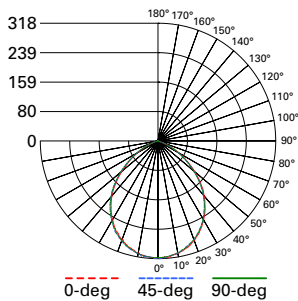
TM-30-15	Rf = 92
	Rg = 99
CRI/CIE	Ra = 94
	R9 = 61



LT56 3CCT Baffle - 2700K / 3000K / 3500K				
CCT	Watts	lumens	LPW	CRI
2700K	7.1	615	86.6	92
3000K	6.8	670	98.5	92
3500K	7.2	660	91.7	91

### LT56069FS231EWHR - 3000K

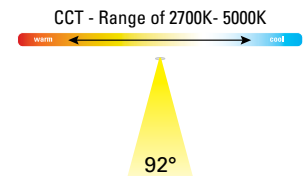
PRODUCT SPECIFICATIONS	
Lumens	670
Watts	6.8
Lumens Per Watt (Efficacy)	98.5
Color Accuracy (CRI)	92
Light Color (CCT)	3000K
Correlated Color Temperature (CCT)	



**LT56069FS351EWHR - 3000K**  
 Spacing criterion: (0-180) 1.18  
 (90-270) 1.18  
 (Diagonal) 1.25  
 Beam Angle: 92°  
 Lumens: 662  
 Input Watts: 6.89 W  
 Efficacy: 96.1 LPW  
 UGR: 17  
 Test Report:  
 LT56069FS351EWHR.ies

Zonal Lumen	Lumens	% Lumens
0-30	237	35.8
0-40	377	56.9
0-60	594	89.7
0-90	658	99.4

TM-30-15	Rf = 92
	Rg = 99
CRI/CIE	Ra = 94
	R9 = 63



LT56 3CCT Baffle - 3000K / 4000K / 5000K				
CCT	Watts	lumens	LPW	CRI
3000K	7.1	645	90.8	92
4000K	6.8	690	101.5	93
5000K	7.2	665	92.4	93

### LT56069FS351EWHR - 3000K

PRODUCT SPECIFICATIONS	
Lumens	645
Watts	7.1
Lumens Per Watt (Efficacy)	90.8
Color Accuracy (CRI)	92
Light Color (CCT)	3000K
Correlated Color Temperature (CCT)	