

DESCRIPTION

The Halo LT560 is an LED Baffle-Trim Module for 5" and 6" aperture recessed downlights; suitable for new construction, remodel and retrofit installation. The LT560 is UL Certified for use with Halo and All-Pro, and can also be used with other compatible 5" and 6" housings. Precision construction makes any housing AIR-TITE for added HVAC savings and code compliance.

Catalog #		Type
Project		
Comments		Date
Prepared by		

SPECIFICATION FEATURES

Module

- Module construction includes LED, heat sink, reflector, lens, baffle and trim ring

Lens

- Regressed lens
- Impact-resistant polycarbonate
- Convex form for lamp-like appearance
- Diffusing for even illumination

Mounting

- Torsion springs are pre-installed and adjust to fit 5" and 6" compatible housings

LED Chromaticity

- A tight chromaticity specification ensures LED color uniformity, sustainable Color Rendering Index (CRI) and Correlated Color Temperature (CCT) over the useful life of the LED
- LED chromaticity of 3 SDCM exceeds ENERGY STAR® color standards per ANSI C78.377- 2011
- High color performance with R9 greater than 50
- Halo LED serialized testing and measurement ensures color and lumen consistency on a per-unit basis, and validates long-term product consistency over time

Electrical

- LED connector is a non-screw base luminaire disconnect offering easy installation with the matching Halo 5" and 6" LED housing
- LED Connector meets California Title-24 high efficacy luminaire requirement for a non-screw base

socket, and where required to qualify as a high efficacy luminaire

- The included E26 medium screw-base Edison adapter provides easy retrofit of incandescent housings (see Housing Compatibility)
- L70 at 35,000 hours

LED Driver

- 120V 50/60 Hz constant current dimmable driver provides high efficiency operation
- If dimming is not required the fixture can be operated from a standard wall switch

Dimming

- Designed for continuous dimming capability to nominally 10% with many 120V Leading Edge (LE) and Trailing Edge (TE) Phase Control dimmers. (Dimmers with low end trim adjustment offer greater assurance of achieving 10% level.)
- Consult dimmer manufacturer for compatibility and conditions of use Note: some dimmers require a neutral in the wallbox.

Warranty

- Five-year limited warranty.

Compliance Labels

- UL Certified 1598 Luminaire for US and Canada
- UL Certified for Damp Location
- UL Certified for Wet Location covered ceiling – Shower Applications
- May be installed in housings in direct contact with insulation** and combustible material

COMPLIANCE

- Airtight certified per ASTM-E283-04 (not exceeding 2.0 CFM under 75 Pascals pressure difference)
- Can be used to comply with California Title 24 High Efficacy requirements. Certified to California Title 20 Appliance Efficiency Database.*
- Can be used for International Energy Conservation Code (IECC) high efficiency luminaire compliance.
- ENERGY STAR® Certified luminaire - consult
- ENERGY STAR® Certified Product List*
- EMI/RFI per FCC 47CFR Part 15 Class B Consumer limits, suitable for use in residential and commercial installations
- Contains no mercury or lead and RoHS compliant.
- Photometric testing in accordance with IES LM-79
- Lumen maintenance projections in accordance with IES LM-80 and TM-21
- Can be used in closets. Compliant with NFPA 70, NEC section 410.16 (A)(1) and 410.16 (C)(3).



LT560

**High Lumen Series
5/6-Inch LED
Recessed Retrofit
Module-Trim**

**90CRI
2700K, 3000K,
3500K, 4000K, 5000K**

**FOR USE IN
INSULATED CEILING
AND NON- INSULATED
CEILING RATED
HOUSINGS**

**HIGH-EFFICACY LED
WITH INTEGRAL
DRIVER - DIMMABLE**

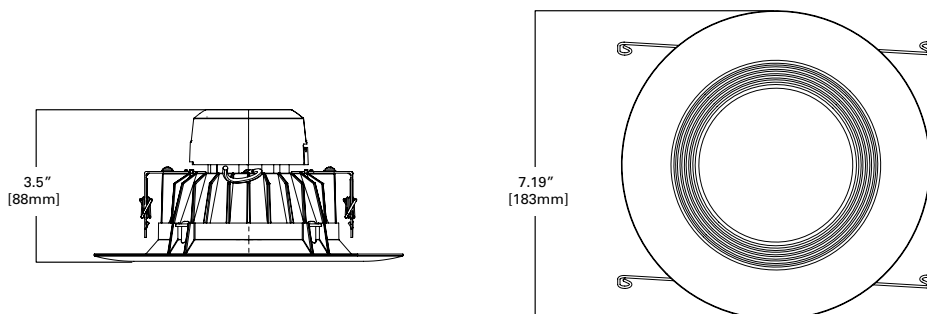
**NON-CONDUCTIVE
DEAD FRONT
CONSTRUCTION**



Refer to ENERGY STAR® Qualified Products List.
Can be used to comply with California Title 24 High Efficacy requirements.
Certified to California Appliance Efficiency Database under JA8.

* Refer to ENERGY STAR® Certified Products List and CEC (T20) Appliance Database for listings.
** Not for use with housings in direct contact with spray foam insulation.

Dimensions



ENERGY DATA

Lumens	1200 Series @ 3000K
Input Voltage	120V
Input Current	(mA)
Input Power	11.9 (W)
Efficiency	95.8 (LPW)
Inrush (A)	
THD: ≤ 20%	
PF: ≥ 0.90	
T Ambient -40 - +40°C	
Sound Rating ≤ 20dba	

Ordering Information

Sample Number: **LT560WH12930**

Complete unit includes an LT560 Baffle-Trim LED module and a 5" or 6" compatible housing ordered separately.

Models

LT560WH12927 = 5"/6" Retrofit Baffle - Trim LED Module, 90 CRI, 2700K, Matte White, High Lumen

LT560WH12930 = 5"/6" Retrofit Baffle - Trim LED Module, 90 CRI, 3000K, Matte White, High Lumen

LT560WH12935 = 5"/6" Retrofit Baffle - Trim LED Module, 90 CRI, 3500K, Matte White, High Lumen

LT560WH12940 = 5"/6" Retrofit Baffle - Trim LED Module, 90 CRI, 4000K, Matte White, High Lumen

LT560WH12950 = 5"/6" Retrofit Baffle - Trim LED Module, 90 CRI, 5000K, Matte White, High Lumen

Housing Compatibility

Compatible Halo LED Housings

HALO LED	Recessed Can Size	Catalog Number
	5"	H550ICAT, H550RICAT, E550ICAT, E550RICAT, H5ICAT, H5ICATNB, H5RICAT, E5ICAT, E5ICATNB, E5RICAT
	6"	H750ICAT, H750RICAT, H2750ICAT, H2750RICAT, E750ICAT, E750RICAT, H7ICAT, H7RICAT, H7RICAT, E7ICAT, E7RICAT, E7TAT, E7RTAT

Compatible Halo Incandescent E26 Screwbase Housings

HALO	Recessed Can Size	Catalog Number
	5"	H5ICAT, H5ICATNB, H5RICAT, H5T, H5TNB, H5RT, H5TM, H25ICAT, H25ICATNB, E5ICAT, E5ICATNB, E5RICAT, E5RTAT, E5TAT, E5TATNB
	6"	H7ICAT, H7RICAT, H7ICT, H7RICT, H7ICATNB, H7ICTNB, H7T, H7RT, H7TNB, H7TCP, H7UICAT, H7UICAT, H27ICAT, H27RICAT, H27ICT, H27RICT, H27T, H27RT, E27ICAT, E27RICAT, E27RTAT, E27TAT, E7ICAT, E7ICATNB, E7RICAT, E7RTAT, E7TAT, E7TATNB

LT56 Series LED Retrofit is UL Classified for retrofit in the following 5/6" recessed housings:

The LT Series LED light module - trim combination is cULus Listed or UL Classified for use with any 5/6" diameter recessed housing constructed of steel or aluminum with an internal volume that exceeds 107.9 in³ in addition to those noted above.

Product Specifications

LT560WH12927 - 90 CRI

PRODUCT SPECIFICATIONS	
Lumens	1100
Watts	12
Lumens Per Watt (Efficacy)	91.6
Color Accuracy (CRI)	90
Light Color (CCT)	2700K
Correlated Color Temperature (CCT)	
warm white soft white bright white 2700K 3000K 4500K 6500K	

LT560WH12930 - 90 CRI

PRODUCT SPECIFICATIONS	
Lumens	1140
Watts	11.9
Lumens Per Watt (Efficacy)	95.8
Color Accuracy (CRI)	90
Light Color (CCT)	3000K
Correlated Color Temperature (CCT)	
warm white soft white bright white 2700K 3000K 4500K 6500K	

LT560WH12935 - 90 CRI

PRODUCT SPECIFICATIONS	
Lumens	1180
Watts	12
Lumens Per Watt (Efficacy)	98.3
Color Accuracy (CRI)	90
Light Color (CCT)	3500K
Correlated Color Temperature (CCT)	
warm white soft white bright white 2700K 3000K 4500K 6500K	

LT560WH12940 - 90 CRI

PRODUCT SPECIFICATIONS	
Lumens	1180
Watts	11.9
Lumens Per Watt (Efficacy)	99.1
Color Accuracy (CRI)	90
Light Color (CCT)	4000K
Correlated Color Temperature (CCT)	
warm white soft white bright white 2700K 3000K 4500K 6500K	

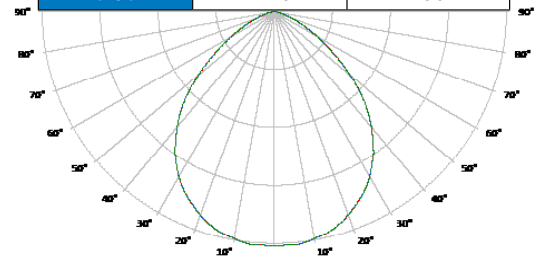
LT560WH12950 - 90 CRI

PRODUCT SPECIFICATIONS	
Lumens	1170
Watts	11.9
Lumens Per Watt (Efficacy)	98.3
Color Accuracy (CRI)	90
Light Color (CCT)	5000K
Correlated Color Temperature (CCT)	
warm white soft white bright white 2700K 3000K 4500K 6500K	

Photometric Data

LT56 Photometric*

LT560WH12930		
Luminaire lumens	1140	
Input watts	11.9	
LER (LPW)	95.8	
Spacing Criteria	0-180	1.12
	90-270	1.12
	Diagonal	1.22
Beam angle (degrees)	88.7	
Field angle (degrees)	139.9	
Zonal lumen	Lumens	% Lumens
0-30	411	36.1
0-40	643	56.4
0-60	1018	89.3
0-90	1140	100



* Tested in accordance with IES LM63. Field results may vary.