

**Description**

The HALO Home Multi-Room Scene Keypad allows you to control up to four lighting scenes or groups, ON/OFF and dimming throughout your home from a central location. The Keypad contains four (4) scene buttons, dim-up and dim-down buttons, and all scene OFF button. The Keypad is designed to connect to the HALO Home Bluetooth Mesh network with no hub or internet connection required. The battery powered keypad connects wirelessly to control HALO Home lights, controls and accessories throughout the home. It can be added to an existing bank of switches or placed in-wall wherever lighting control is desired.

<b>Catalog #</b>		<b>Type</b>	
<b>Project</b>		<b>Date</b>	
<b>Comments</b>			
<b>Prepared by</b>			

**Specification Features**

**Wireless System**

- Utilizes Bluetooth 4.1 with mesh networking topology.
- Wireless range of up to 100 feet from Bluetooth device to device and up to 33 feet from Bluetooth smartphone/tablet to closest device.
- 2.4GHz signal frequency.

**Wireless Pairing**

- See HALO Quick Start Guide for wireless setup, guidance and troubleshooting.

**Features**

- Turn scenes ON/OFF from the Scene Keypad or the free HALO Home app.
- Features four scene buttons, dim-up and dim-down buttons, and an all-off button.
- Works with HALO Home smart LED lights or group of lights on the same circuit with the HALO Home Smart Dimmer.

**Environmental**

- Rated for Indoor Use only. 32°F to 104°F (0°C to 40°C) damp locations.

**Design Features**

- Range: Up to 100 feet line of sight.
- One status LED under firmware control.
- Acoustic noise not to exceed 22 dBA SPL at 1 ft.

**Button Functions**

- Four (4) buttons to turn on up to four scenes or groups.
- Dim up (Brighten) will brighten the lamps associated to an active scene.
- Dim down will dim the lamps associated to an active scene.
- OFF will turn off the lamps associated to an active scene.

**Factory Reset**

- Press the 1 button 4 times, then the OFF button 4 times, then the 1 button 4 times.
- The LED indicator will stay on for 5 seconds then blink for 30 seconds on a successful reset.

**Certifications & Compliance**

- cULus Listed. Complies with FCC Part 15, Class B, Industry Canada RSS-Gen and RSS-247.
- Title 24 and Title 20 Compliant.
- Bluetooth Certification 4.1 or higher + Mesh networking topology.
- ROHS-2.

**Warranty**

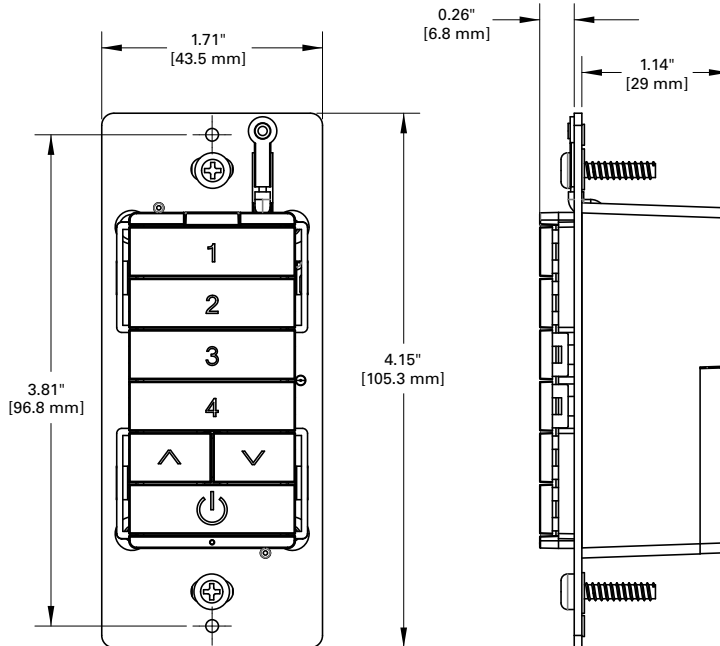
Five year limited warranty, consult website for details. [www.cooperlighting.com](http://www.cooperlighting.com)



**HALO Home HIWSKB**

**Battery Powered**

**Multi-Room Scene Keypad**



**Ordering Information**

SAMPLE NUMBER: HIWSKB1BLE40AWH

Device	Power Source	Generation	Radio	Finish
HIWSK = HALO In-Wall Scene Keypad	B=Battery powered	1=1st generation	BLE40A=Bluetooth Low Energy 4.0	WH=White

