

# SYLVANIA Luminaire

## Hi-PerformanceLED™ RT Screw-based Smooth and Baffle Reflector

### Application

Ideal for retrofit applications in healthcare, hospitality, office, residential and retail using 4 inch, 5 inch & 6 inch housings.

### Benefits and Features

- Lumen Package:
  - RT4 with 600 and 675 lumens
  - RT5/6 with 700, 725, 900 and 1200 lumens
- Complete product mix with all color temperatures available: 2700K, 3000K, 4000K and 5000K
- Replacement for up to 100W incandescent lamps
- Integrated white trim, smooth or baffle reflector, socket adaptor, airtight ring (included)
- No warm-up time, instant-on with full light output and consistent lamp to lamp color
- RT5/6 is compatible with 5 inch & 6 inch housings
- Phase-Cut Dimmable
- CRI 90 (smooth) and 92 (baffle)
- Available beam angle: 110°

### Electrical

- 120V<sub>AC</sub>

### Rated Life

- 50,000 hours (L<sub>70</sub>)

### Warranty

- 5-year

### Ambient Operating Range

- -4°F to +104°F (-20°C to +40°C)

### Certifications and Listings

- UL
- ENERGY STAR®
- Compliant with CEC Title 20 Efficiency Standards
- CEC Title 24 JA8 Listed (except 5000K)

### Specifications and Certifications



LED530R2 5-20



### Wattage Comparison

Traditional Source	Traditional System Wattage	LED System Wattage	Energy Savings
<b>Smooth Reflector</b>			
Incandescent	50W	9W	84%
Incandescent	65W	10W	84%
Incandescent	75W	13W	84%
Incandescent	100W	16W	84%
<b>Baffle Reflector</b>			
Incandescent	65W	8W	86%
Incandescent	65W	8.5W	86%
Incandescent	75W	10.5W	86%
Incandescent	100W	14W	86%

### Installation

- Operating temperature range between -4°F and 104°F (-20°C and 40°C).
- Suitable for indoor and outdoor dry, damp and wet locations.
- Suitable for dimmers or in housings controlled by a dimmer. For a list of compatible dimmers, please refer to <https://www.sylvania.com/en-us/products/solid-state-lighting-led/Pages/ULTRA-Downlight-LED-Retrofit-Kits.aspx>
- The RT4 & RT5/6 Screw-based recessed downlight kits are dimmable down to 10% of full light output with compatible dimmers. The minimum dimming value is based on light output using compatible dimmers, and may not be an indication of the kit's full rated capability.
- Not intended for use with emergency light fixtures or exit lights.
- For use in housings that can structurally support a lamp weighing one pound.
- RT5/6 designed to install in standard 5" and 6" insulated and non-insulated housings.
- Compatible with Philips Bodine ELI-S-20 Emergency Lighting Micro Inverter, IOTA model IIS-375-LED and LVS CEPS-350-VOLT.



## Specification Data

Catalog #	Type
Project	
Comments	
Prepared by	

### Ordering Guide

<b>LED</b>	<b>/</b>	<b>RTX</b>	<b>/</b>	<b>XXXX</b>	<b>/</b>	<b>9</b>	<b>/</b>	<b>XX</b>	<b>/</b>	<b>G2</b>	<b>/</b>	<b>CEC</b>
LED		RT4 RT5/6		Lumens 600, 675, 700, 725, 900, 1200		CRI 9 = 90 (Smooth) 9 = 92 (Baffle)		Color Temperature 27 = 2700K 30 = 3000K 40 = 4000K 50 = 5000K		2nd Generation		CEC/Tier2 Compliant

### Ordering Information

Item Number	Ordering Abbreviation	Power (W)	Base Type	Replaces	Input Voltage (V)	Average Life (hrs)	CCT	Case Qty	Typical Lumens (lm)	CRI	Power Factor	Bulb Finish	ENERGY STAR®	T20	T24
<b>Smooth Reflector</b>															
74285	LED/RT4/600/927	9	E26 Medium	50W	120	50,000	2700K	2	600	90	>90%	Frosted	Yes	Yes	Yes
74286	LED/RT4/600/930	9	E26 Medium	50W	120	50,000	3000K	2	600	90	>90%	Frosted	Yes	Yes	Yes
74288	LED/RT4/600/940	9	E26 Medium	50W	120	50,000	4000K	2	600	90	>90%	Frosted	Yes	Yes	Yes
74289	LED/RT4/600/950	9	E26 Medium	50W	120	50,000	5000K	2	600	90	>90%	Frosted	Yes	Yes	No
74290	LED/RT56/700/927	10	E26 Medium	65W	120	50,000	2700K	2	700	90	>90%	Frosted	Yes	Yes	Yes
74291	LED/RT56/700/930	10	E26 Medium	65W	120	50,000	3000K	2	700	90	>90%	Frosted	Yes	Yes	Yes
74292	LED/RT56/700/940	10	E26 Medium	65W	120	50,000	4000K	2	700	90	>90%	Frosted	Yes	Yes	Yes
74293	LED/RT56/700/950	10	E26 Medium	65W	120	50,000	5000K	2	700	90	>90%	Frosted	Yes	Yes	No
74294	LED/RT56/900/927	13	E26 Medium	75W	120	50,000	2700K	2	900	90	>90%	Frosted	Yes	Yes	Yes
74295	LED/RT56/900/930	13	E26 Medium	75W	120	50,000	3000K	2	900	90	>90%	Frosted	Yes	Yes	Yes
79750	LED/RT56/1200/927	16	E26 Medium	100W	120	50,000	2700K	2	1200	90	>90%	Frosted	Yes	Yes	Yes
79751	LED/RT56/1200/930	16	E26 Medium	100W	120	50,000	3000K	2	1200	90	>90%	Frosted	Yes	Yes	Yes
79753	LED/RT56/1200/940	16	E26 Medium	100W	120	50,000	4000K	2	1200	90	>90%	Frosted	Yes	Yes	Yes
<b>Baffle Reflector</b>															
40624	LED/RT4/675/927/G2/CEC	8	E26 Medium	65W	120	50,000	2700K	4	675	92	>90%	Frosted	Yes	Yes	Yes
40625	LED/RT4/675/930/G2/CEC	8	E26 Medium	65W	120	50,000	3000K	4	675	92	>90%	Frosted	Yes	Yes	Yes
40626	LED/RT4/675/940/G2/CEC	8	E26 Medium	65W	120	50,000	4000K	4	675	92	>90%	Frosted	Yes	Yes	Yes
40627	LED/RT4/675/950/G2/CEC	8	E26 Medium	65W	120	50,000	5000K	4	675	92	>90%	Frosted	Yes	Yes	No
40628	LED/RT5/6/725/927/G2/CEC	8.5	E26 Medium	65W	120	50,000	2700K	4	725	92	>90%	Frosted	Yes	Yes	Yes
40629	LED/RT5/6/725/930/G2/CEC	8.5	E26 Medium	65W	120	50,000	3000K	4	725	92	>90%	Frosted	Yes	Yes	Yes
40630	LED/RT5/6/725/940/G2/CEC	8.5	E26 Medium	65W	120	50,000	4000K	4	725	92	>90%	Frosted	Yes	Yes	Yes
40631	LED/RT5/6/725/950/G2/CEC	8.5	E26 Medium	65W	120	50,000	5000K	4	725	92	>90%	Frosted	Yes	Yes	No
40632	LED/RT5/6/900/927/G2/CEC	10.5	E26 Medium	75W	120	50,000	2700K	4	900	92	>90%	Frosted	Yes	Yes	Yes
40633	LED/RT5/6/900/930/G2/CEC	10.5	E26 Medium	75W	120	50,000	3000K	4	900	92	>90%	Frosted	Yes	Yes	Yes
40634	LED/RT5/6/900/940/G2/CEC	10.5	E26 Medium	75W	120	50,000	4000K	4	900	92	>90%	Frosted	Yes	Yes	Yes
40635	LED/RT5/6/900/950/G2/CEC	10.5	E26 Medium	75W	120	50,000	5000K	4	900	92	>90%	Frosted	Yes	Yes	No
65122	LED/RT5/6/1200/927/G2/CEC	14	E26 Medium	100W	120	50,000	2700K	4	1200	92	>90%	Frosted	Yes	Yes	Yes
65123	LED/RT5/6/1200/930/G2/CEC	14	E26 Medium	100W	120	50,000	3000K	4	1200	92	>90%	Frosted	Yes	Yes	Yes
65124	LED/RT5/6/1200/940/G2/CEC	14	E26 Medium	100W	120	50,000	4000K	4	1200	92	>90%	Frosted	Yes	Yes	Yes
65125	LED/RT5/6/1200/950/G2/CEC	14	E26 Medium	100W	120	50,000	5000K	4	1200	92	>90%	Frosted	Yes	Yes	No

### Energy Savings

Basic Product Description	LED Life (hrs)	LED Lumens	Similar Incandescent (hrs)	Incandescent Lumens	Watts Saved	Energy Savings*	LED Life vs Incandescent
<b>Smooth Reflector</b>							
LED/RT4/600/9XX	50,000	600	2000	640	41W	\$225	25X
LED/RT5/6/700/9XX	50,000	700	2000	640	55W	\$302	25X
LED/RT5/6/900/9XX	50,000	900	2000	1600	62W	\$341	25X
LED/RT5/6/1200/9XX	50,000	1200	2000	1600	84W	\$462	25X
<b>Baffle Reflector</b>							
LED/RT4/675/9XX/G2	50,000	675	2000	640	57W	\$314	25X
LED/RT5/6/725/9XX/G2	50,000	725	2000	640	57W	\$314	25X
LED/RT5/6/900/9XX/G2	50,000	900	2000	1600	86W	\$360	25X
LED/RT5/6/1200/9XX/G2	50,000	1200	2000	1600	86W	\$360	25X

\*Energy savings over life of lamp calculated at \$0.11/kWh

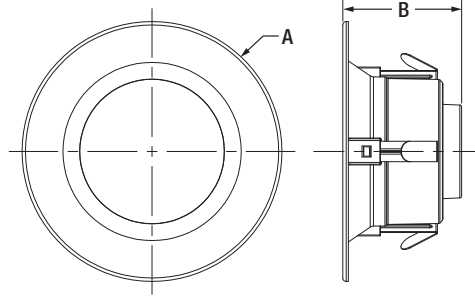
## Physical Information

### Smooth Reflector

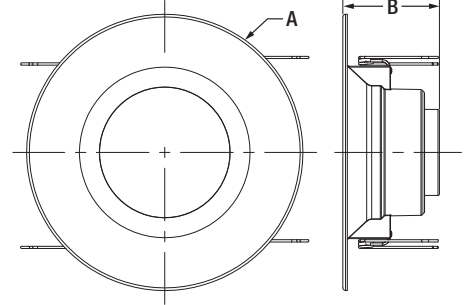
Lamp Description	(A) Diameter in (mm)	(B) Height in (mm)
LED/RT4/600/9XX	5.51 (140)	2.68 (68)
LED/RT5/6/700/9XX	7.28 (185)	2.76 (70)
LED/RT5/6/900/9XX	7.28 (185)	2.76 (70)
LED/RT5/6/1200/9XX	7.28 (185)	2.76 (70)

### Smooth Reflector

RT4



RT5/6

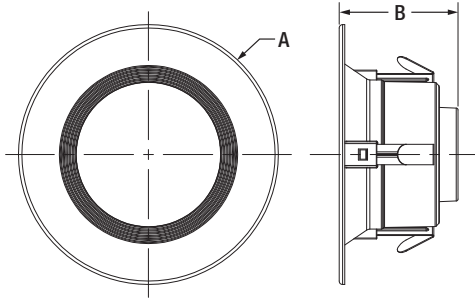


### Baffle Reflector

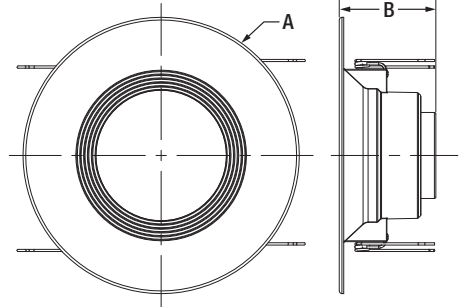
Lamp Description	(A) Diameter in (mm)	(B) Height in (mm)
LED/RT4/675/9XX/G2	5.51 (140)	2.52 (64)
LED/RT5/6/725/9XX/G2	7.32 (186)	2.56 (65)
LED/RT5/6/900/9XX/G2	7.32 (186)	2.56 (65)
LED/RT5/6/1200/9XX/G2	7.32 (186)	2.56 (65)

### Baffle Reflector

RT4



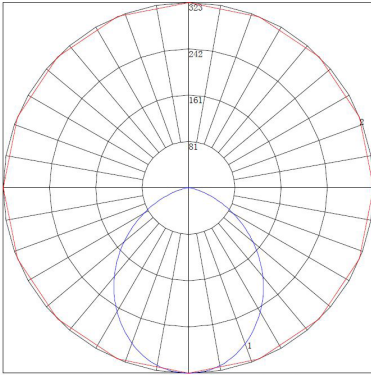
RT5/6



# Photometric Data

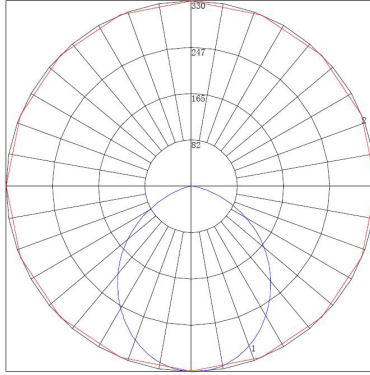
## Smooth Reflector

RT4 600lm



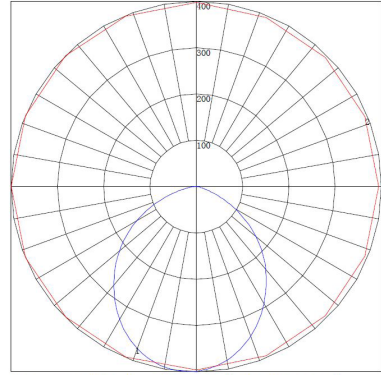
Maximum Candela = 322.82 Located At Horizontal Angle = 90, Vertical Angle = 1  
 # 1 - Vertical Plane Through Horizontal Angles (90 - 270) (Through Max. Cd.)  
 # 2 - Horizontal Cone Through Vertical Angle (1) (Through Max. Cd.)

RT5/6 700lm



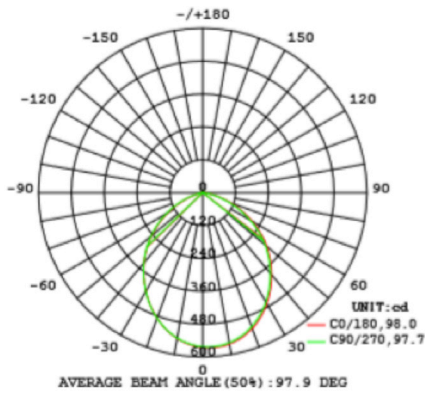
Maximum Candela = 329.6 Located At Horizontal Angle = 90, Vertical Angle = 1  
 # 1 - Vertical Plane Through Horizontal Angles (90 - 270) (Through Max. Cd.)  
 # 2 - Horizontal Cone Through Vertical Angle (1) (Through Max. Cd.)

RT5/6 900lm



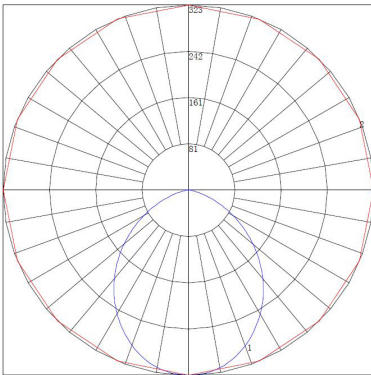
Maximum Candela = 400.13 Located At Horizontal Angle = 157.5, Vertical Angle = 4  
 # 1 - Vertical Plane Through Horizontal Angles (157.5 - 337.5) (Through Max. Cd.)  
 # 2 - Horizontal Cone Through Vertical Angle (4) (Through Max. Cd.)

RT5/6 1200lm



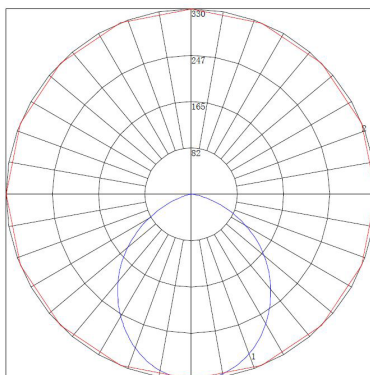
## Baffle Reflector

RT4 675lm



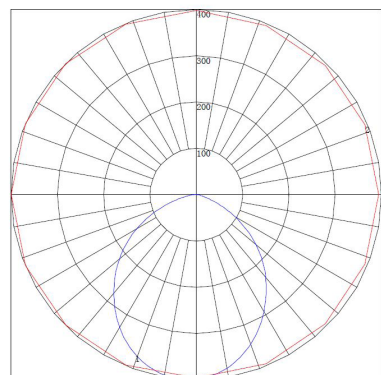
Maximum Candela = 322.82 Located At Horizontal Angle = 90, Vertical Angle = 1  
 # 1 - Vertical Plane Through Horizontal Angles (90 - 270) (Through Max. Cd.)  
 # 2 - Horizontal Cone Through Vertical Angle (1) (Through Max. Cd.)

RT5/6 725lm



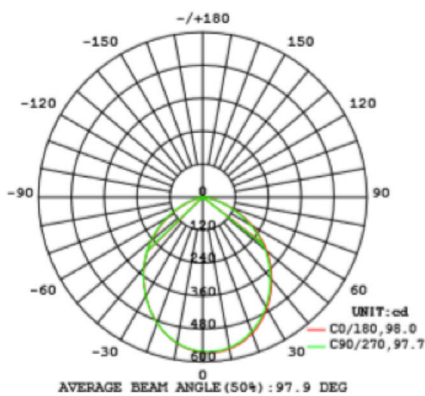
Maximum Candela = 329.6 Located At Horizontal Angle = 90, Vertical Angle = 1  
 # 1 - Vertical Plane Through Horizontal Angles (90 - 270) (Through Max. Cd.)  
 # 2 - Horizontal Cone Through Vertical Angle (1) (Through Max. Cd.)

RT5/6 900lm



Maximum Candela = 400.13 Located At Horizontal Angle = 157.5, Vertical Angle = 4  
 # 1 - Vertical Plane Through Horizontal Angles (157.5 - 337.5) (Through Max. Cd.)  
 # 2 - Horizontal Cone Through Vertical Angle (4) (Through Max. Cd.)

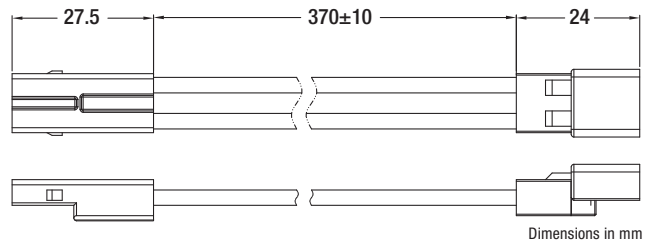
RT5/6 1200lm



## Accessories

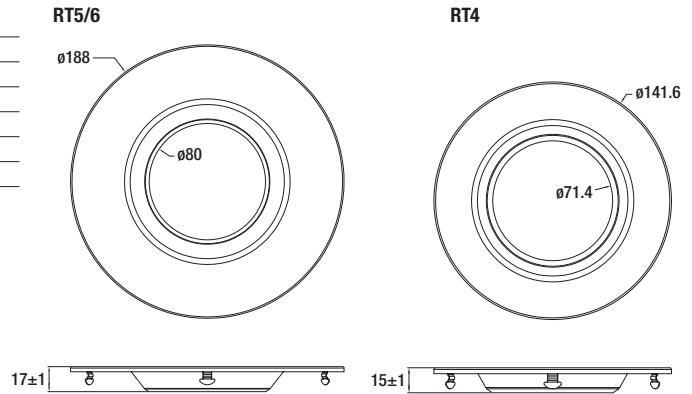
### Direct Plug-in for Pacific Region

Item Number	Description	Length	Pcs per Case
65126	LEDADAPTORDIRECTPLUGIN	~430mm	4



### RETROFIT TRIM (For non-Gimbal only, can be used with RT4 and RT5/6)

Item Number	Description	
61713	RT4/TRIM/BLK/G2	One tone: Black Trim & Black Reflector
61714	RT4/TRIM/ORBZ/G2	One tone: Bronze Trim & Bronze Reflector
61715	RT4/TRIM/SN/G2	One tone: Satin Nickel Trim & Satin Nickel Reflector
61716	RT/5/6/TRIM/BLK/G2	One tone: Black Trim & Black Reflector
61717	RT/5/6/TRIM/ORBZ/G2	One tone: Bronze Trim & Bronze Reflector
61718	RT/5/6/TRIM/SN/G2	One tone: Satin Nickel Trim & Satin Nickel Reflector



LEDVANCE LLC  
 200 Ballardvale Street  
 Wilmington, MA 01887 USA  
 Phone 1-800-LIGHTBULB (1-800-544-4828)  
[www.sylvania.com](http://www.sylvania.com)

SYLVANIA and LEDVANCE are registered trademarks.  
 All other trademarks are those of their respective owners.  
 Licensee of product trademark SYLVANIA in general lighting.  
 Specifications subject to change without notice.

[/sylvania](https://twitter.com/sylvania) [/sylvania](https://facebook.com/sylvania)

