



LID160 INSTALLATION

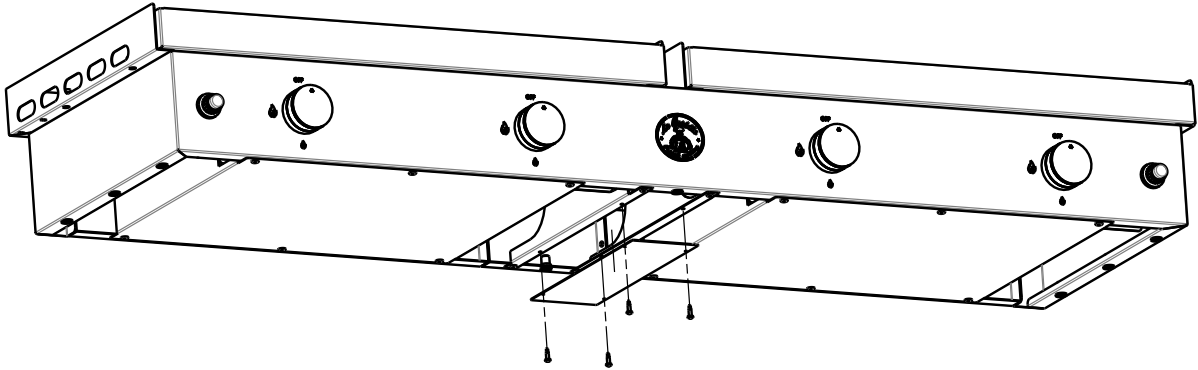


# Le Griddle

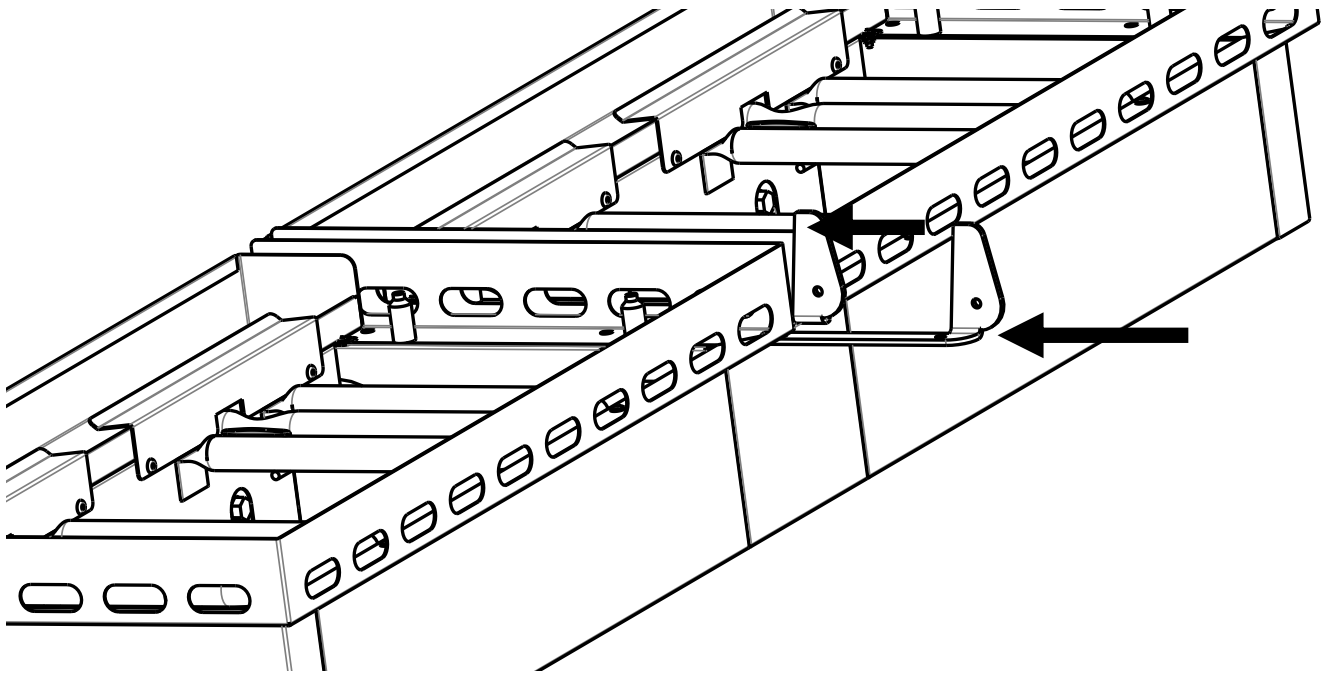
**CENTRAL HINGE  
INSTALLATION ON GFE160**

**ONLY FOR LID USING**

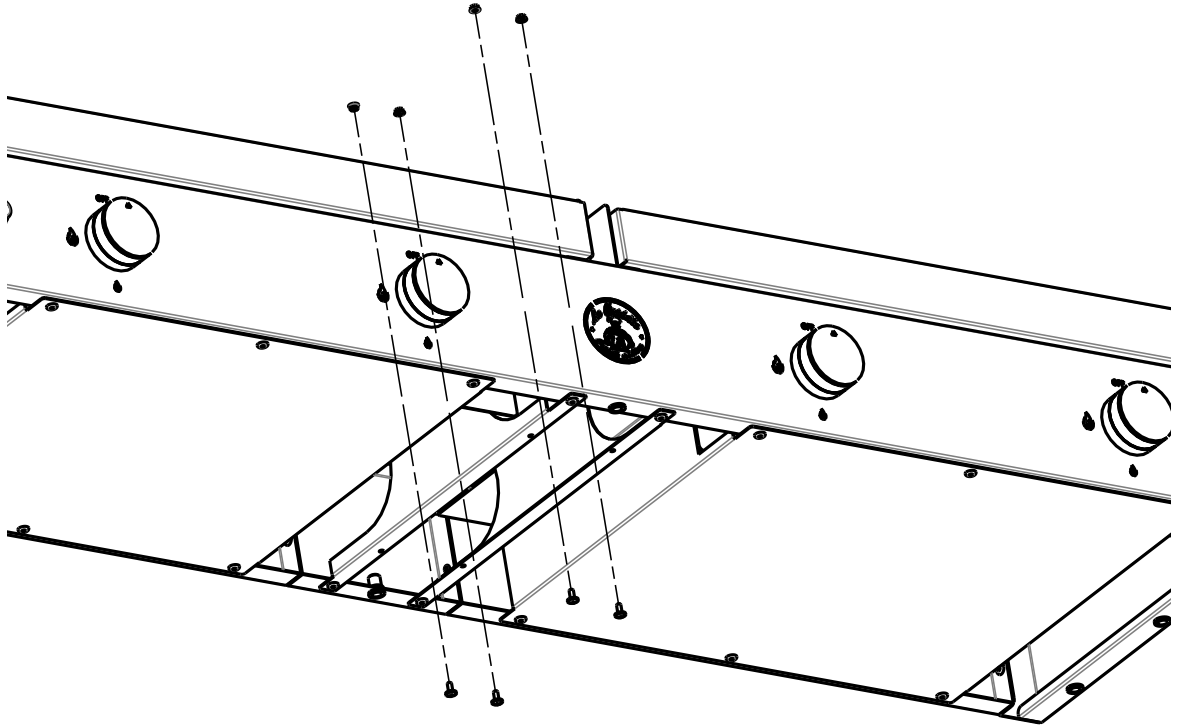
REMOVE THE MIDDLE PLATE UNDER THE GRIDDLE



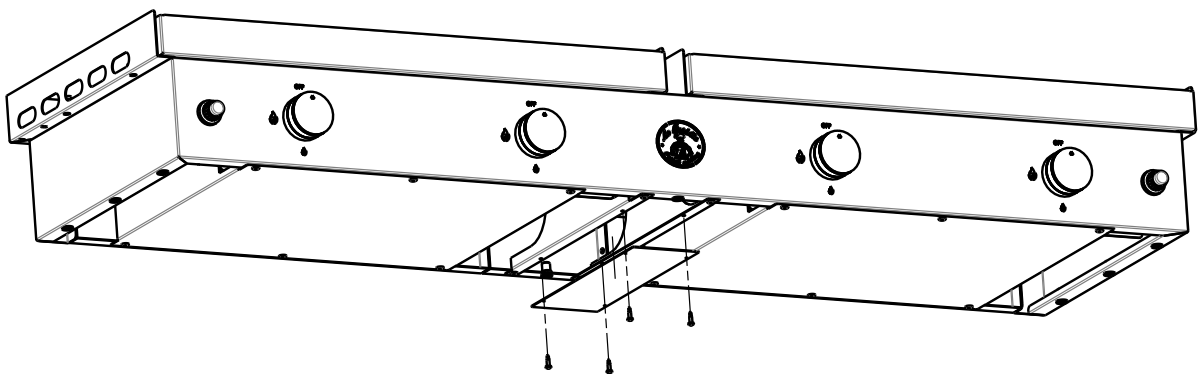
INSERT THE 2 HINGE BY THE BACK

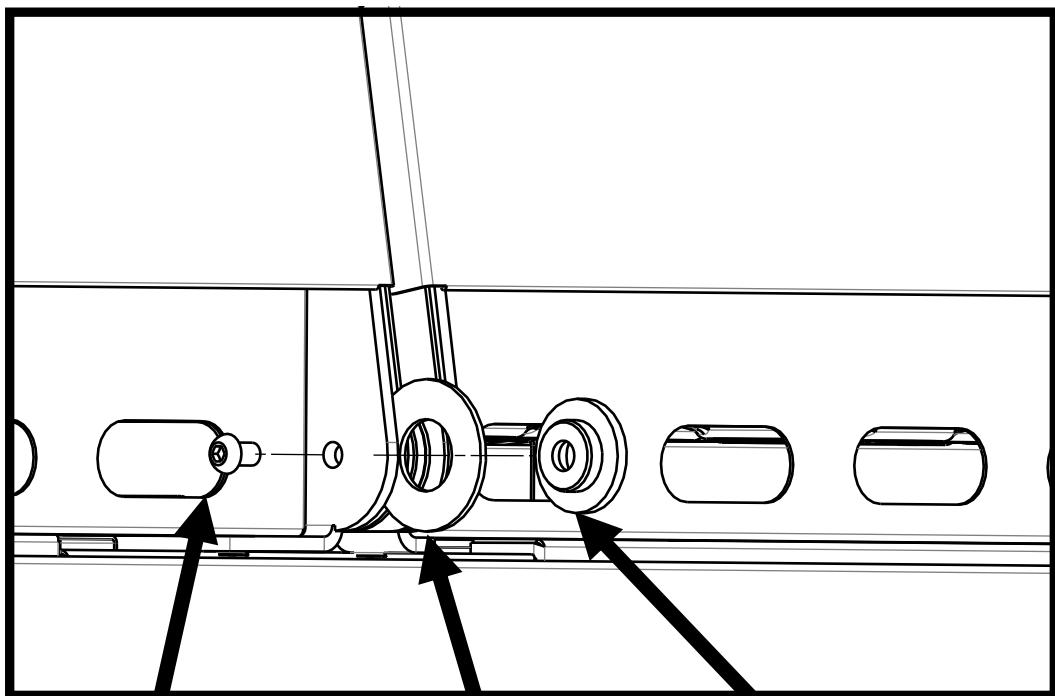
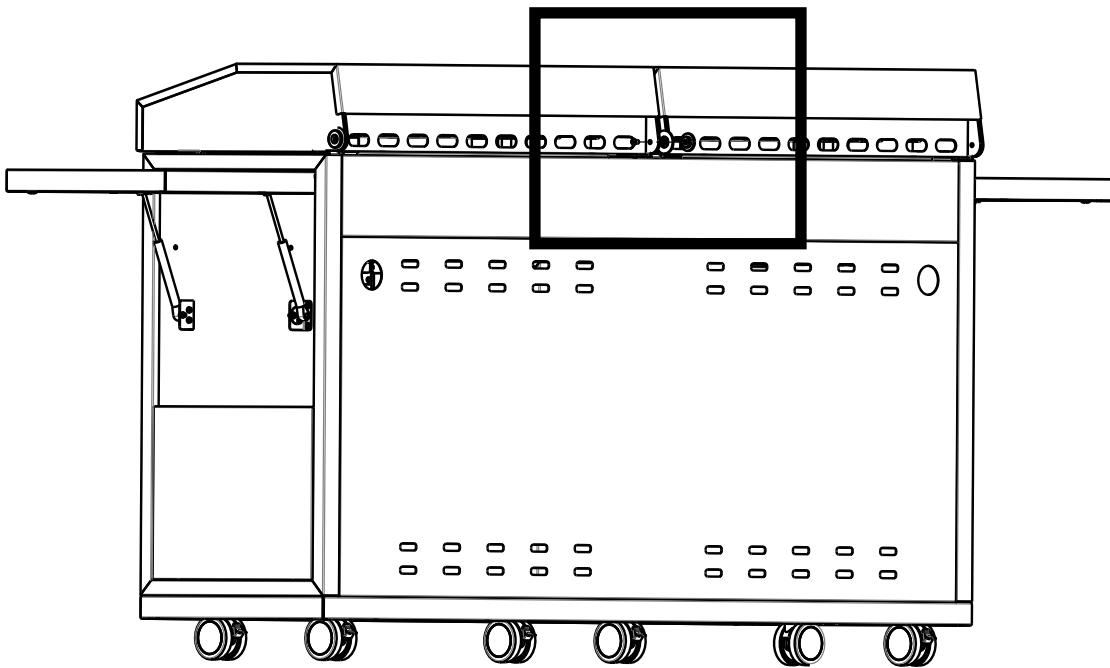


FIX THE HINGE WITH 4 SCREWS + NUTS



PLACE THE MIDDLE PLATE UNDER THE GRIDDLE





SCREW

WASHER  
BETWEEN  
LID AND  
HINGE

SPECIAL NUT  
OUTSIDE THE LID