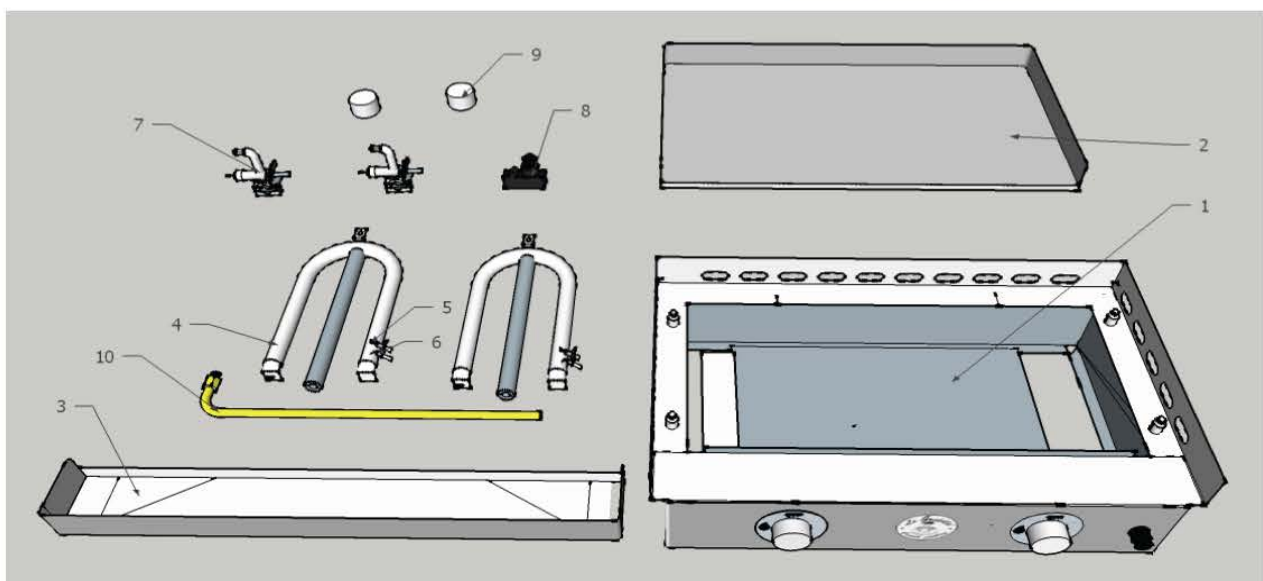


Item	Item No.	Description	Model		
			GF40	GF75	GF105
1	GRIDDLEGFI40	HEAT BOX FOR GFE40(without equipment item 3 to 10)	X		
1	GRIDDLEGFI75	HEAT BOX FOR GFE75(without equipment item 3 to 10)		X	
1	GRIDDLEGFI105	HEAT BOX FOR GFE105(without equipment item 3 to 10)			X
2	GFSSPLATE 40	COOKING PLATE FOR GFE40	X		
2	GFSSPLATE 75	COOKING PLATE FOR GFE75		X	
2	GFSSPLATE 105	COOKING PLATE FOR GFE105			X
3	GF40TANK	GREASE TANK FOR GFE40	X		
3	GF75TANK	GREASE TANK FOR GFE75		X	
3	GF105TANK	GREASE TANK FOR GFE105			X
4	GFBURN9000	BURNER 9000 BTU	X	X	X
5	GF THERMO	THERMOCOUPLE	X	X	X
6	GFCERAMS	SHORT IGNITING WIRE	X	X	X
6	GFCERAML	LONG IGNITING WIRE		X	X
6	GFCERAMLXL	EXTRA LONG IGNITING WIRE			X
7	GFVALV	GAS VALVE	X	X	X
8	GF40INIT	AA ELECTRONIC IGNITER	X		
8	GF75INIT	AA ELECTRONIC IGNITER		X	
8	GF105INIT	AA ELECTRONIC IGNITER			X
9	GF75KNOB	KNOB	X	X	X
10	GFPIPE40	ADMISSION PIPE FOR GFE40	X		
10	GFPIPE75	ADMISSION PIPE FOR GFE75		X	
10	GFPIPE105	ADMISSION PIPE FOR GFE105			X
11	GFNGORI	ORIFICES FOR NATURAL GAS	X	X	X
11	GFLPGORI	ORIFICES FOR LIQUID PROPAN GAS	X	X	X
12	GFHAND40	HANDLE FOR LID 40	X		
12	GFHAND75	HANDLE FOR LID 75		X	
12	GFHAND105	HANDLE FOR LID 105			X



Common parts for the 3 sizes : ITEMS 2,4,5,6,7,8,9

7.7.2022