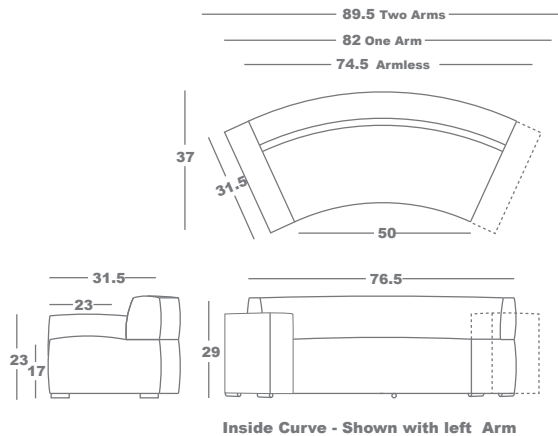
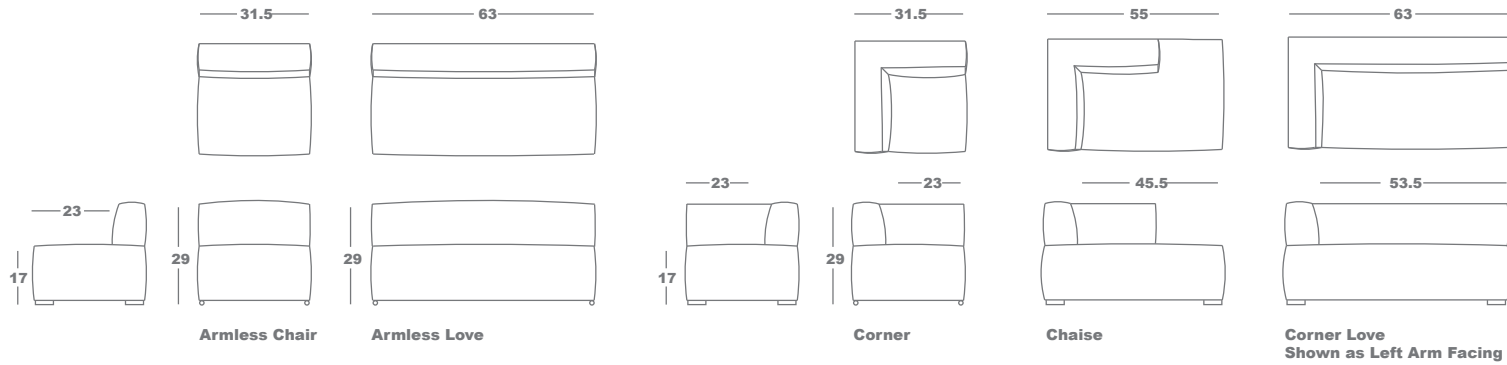
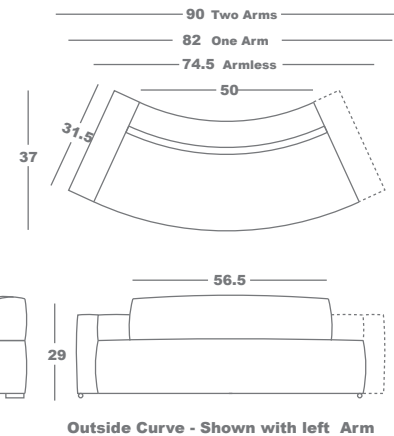


## Millend Sectional Planner



**Inside Curve - Shown with left Arm**



**Outside Curve - Shown with left Arm**

For best results use plain or non-repeating patterned fabrics: Striped or repeating patterned fabric may result in pattern alignment issues. Please consult Van Gogh

### GENERAL INFORMATION:

\*dye-lot of the actual fabric and the swatch may not be exact match  
 \*fabric yardage for plain, railroaded 54" bolt

\*no zipper/inserts in fibre filled toss pillows  
 \*overall dimensions may vary +/- 1"  
 \*see fabric swatch for exact colour

FABRIC	(YDS)	FABRIC	(YDS)
Inside Curve Loveseat:	8.50	Chair:	4.25
One Arm Inside Curve:	7.50	Corner Loveseat:	9.50
Armless Inside Curve:	6.00	Chaise:	7.75
Outside Curve Loveseat:	8.50	Corner:	4.75
One Arm Outside Curve:	7.00		
Armless Outside Curve:	5.50		