





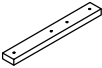
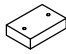








# ASSEMBLY INSTRUCTIONS

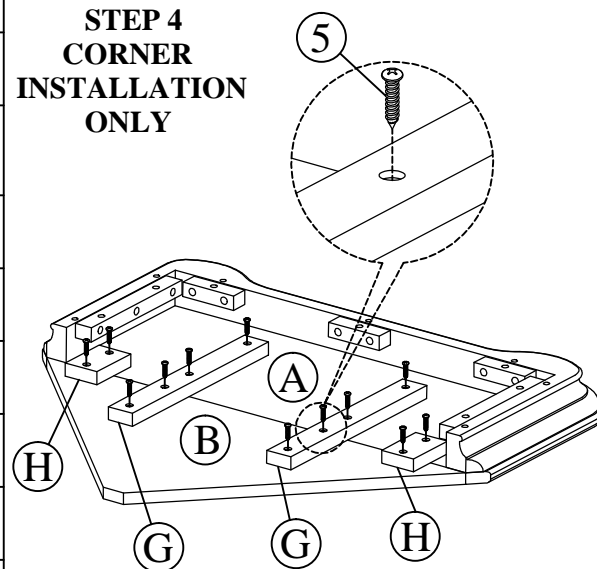
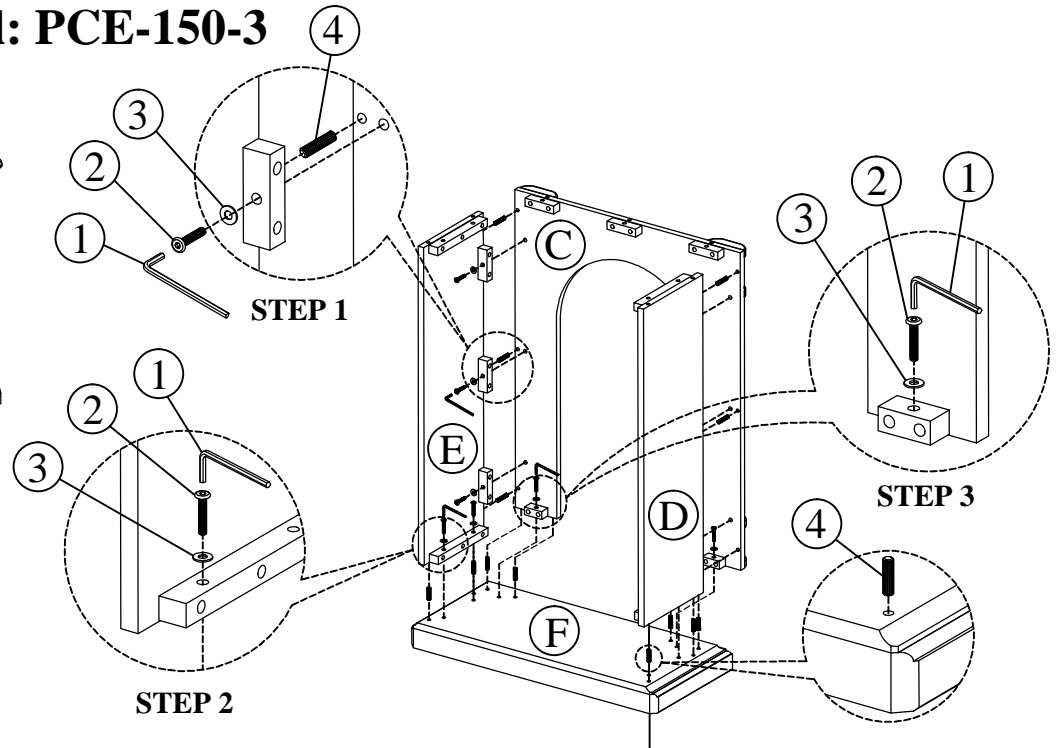
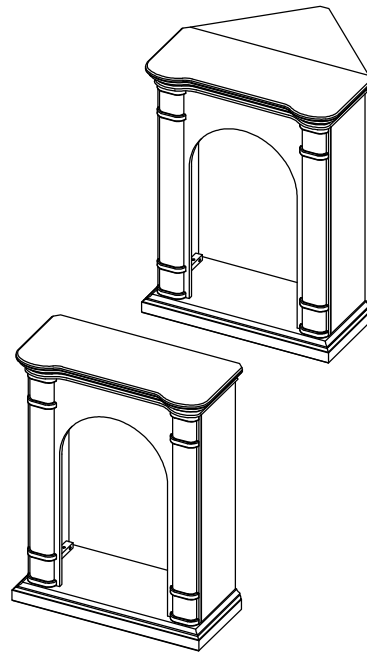
Model: PCE-150-3

## COMPONENT LIST

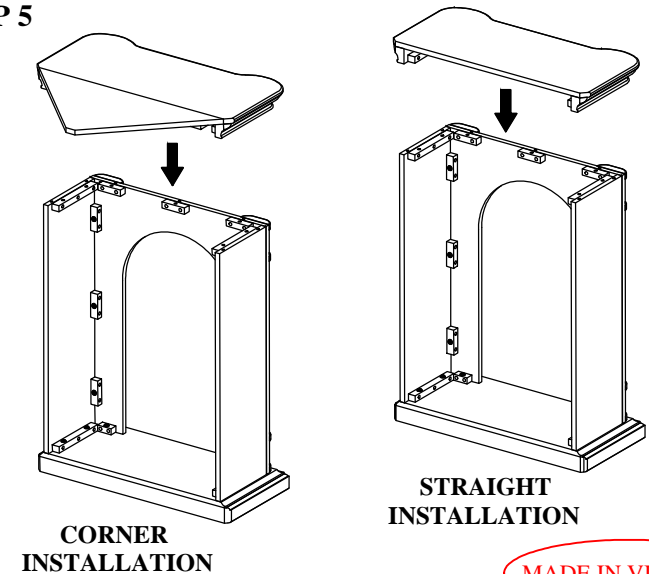
NO.	Drawing	Description	QTY
A		TOP PANEL	1PC
B		TRIANGLE	1PC
C		FRONT PANEL	1PC
D		LEFT SIDE PANEL	1PC
E		RIGHT SIDE PANEL	1PC
F		BOTTOM PANEL	1PC
G		WOOD CLEAT	2PCS
H		WOOD BLOCK	4PCS

## HARDWARE LIST

1		Allen Wrench 4 mm	1PC
2		Allen Bolt 1/4" x 32 mm # 13	19PCS
3		Flat Washer 8 x 16 x 1 mm	19PCS
4		Wood Dowel Ø8 x 30 mm	21PCS
5		Screw 1/4" x 25 mm	12PCS
6		Screw 1/4" x 50 mm	4PCS

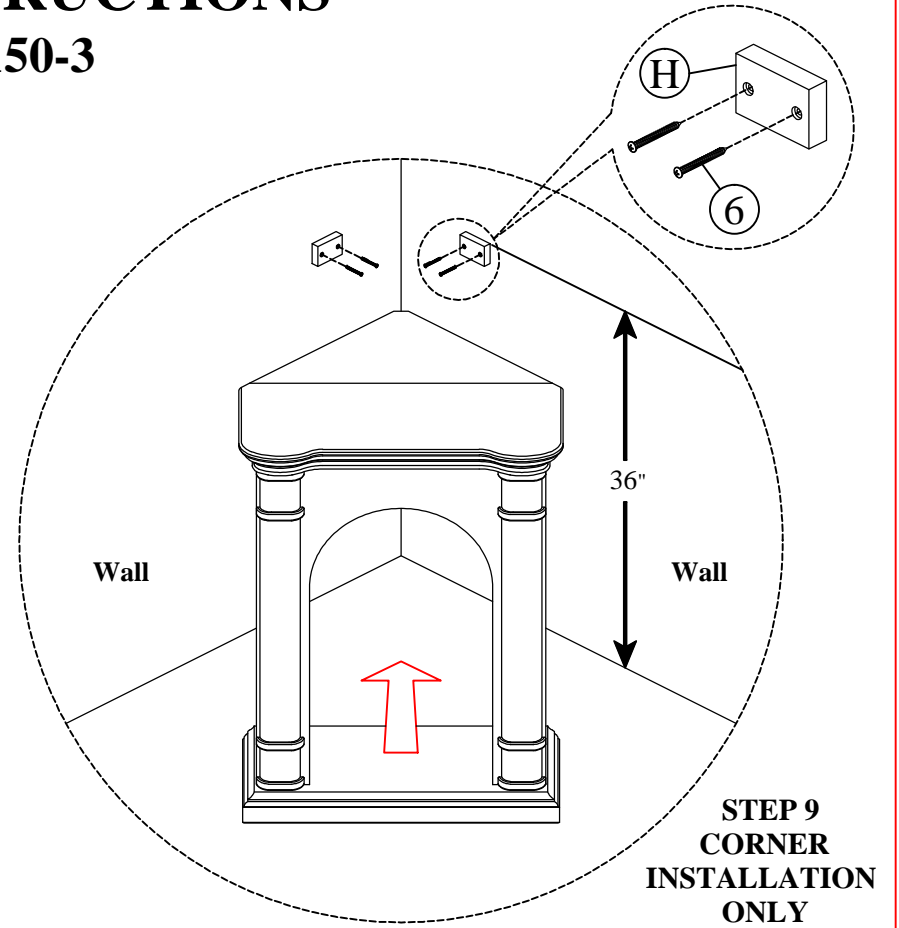
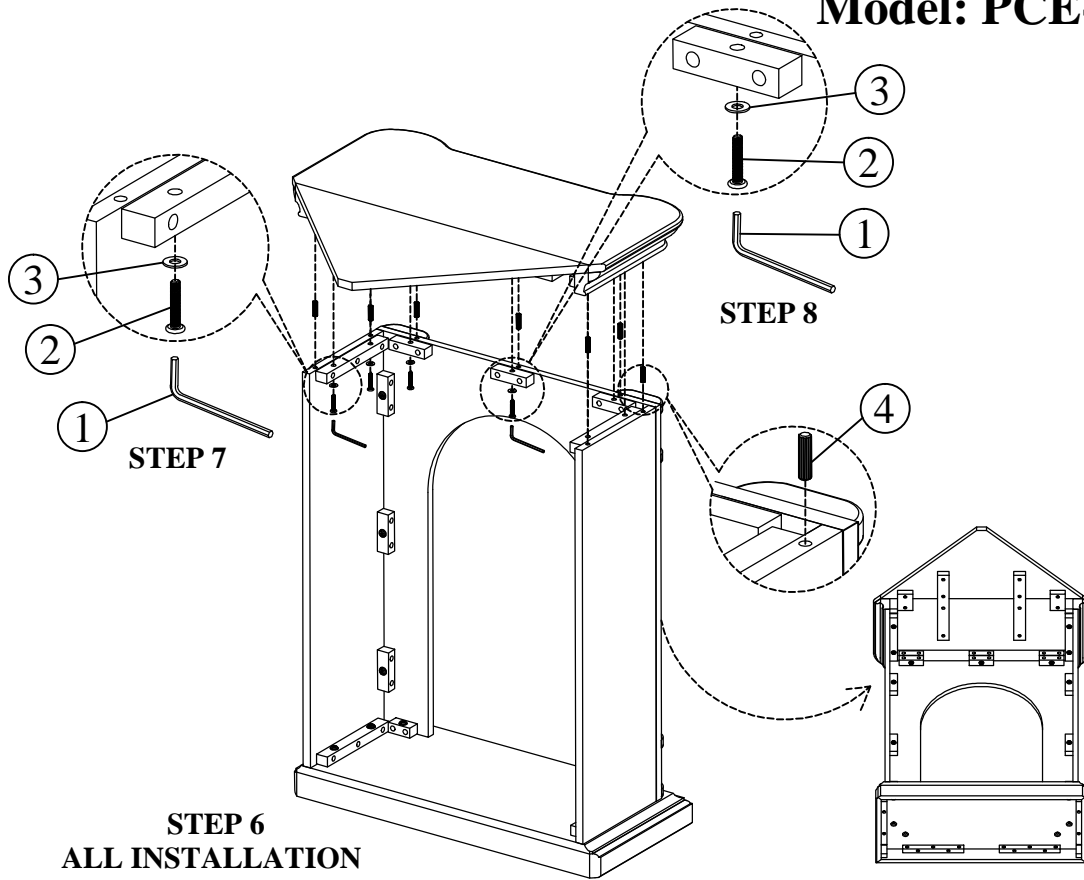


## STEP 5

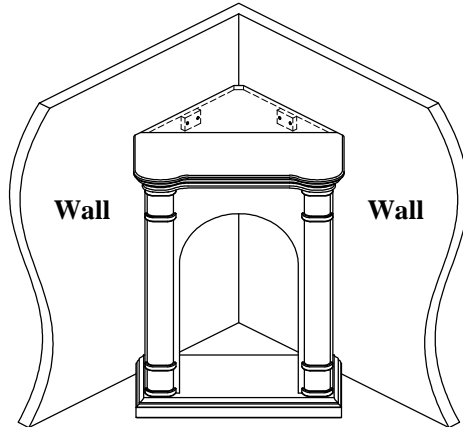


# ASSEMBLY INSTRUCTIONS

Model: PCE-150-3



**CORNER  
INSTALLATION**



**Wall**

**STRAIGHT  
INSTALLATION**

