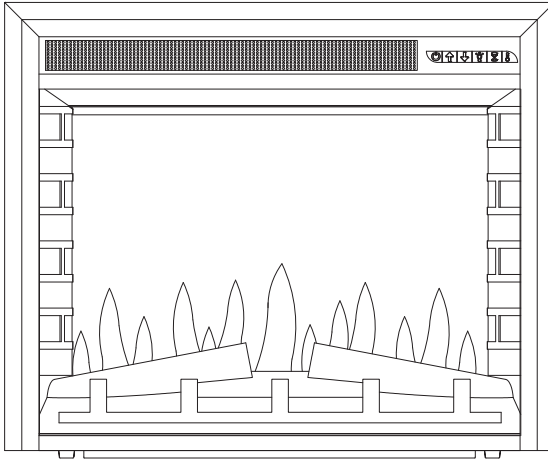


ELECTRIC FIREPLACE OWNER'S MANUAL

**MODELS
EL1346C**



⚠ WARNING: If the information in this manual is not followed exactly, a fire or electrical shock may result causing property damage, personal injury or loss of life.

INSTALLER: Leave this manual with the appliance.
CONSUMER: Retain this manual for future reference.



Questions, problems, missing parts? Before returning to your retailer, call our customer service department at 1-855-607-6557, 8:00 am - 4:30 pm EST, Monday through Friday or email info@factorybuysdirect.com



**FACTORY
BUYS
DIRECT.COM**

**Providing Factory Direct Pricing
and Exceptional Products**

TABLE OF CONTENTS

Quick Reference Guide	2	Control Panel Operation	7
Important Instructions	2	Remote Control Operation.....	7
Specifications	4	Care and Maintenance	8
Product Dimensions	4	Troubleshooting.....	9
Installation	5	Warranty	10
Operating Instructions	6		

RETAIN THIS USER'S GUIDE FOR FUTURE REFERENCE

DEFINITIONS:

NOTE: Procedures and techniques that are considered important enough to emphasize.

CAUTION: Procedures and techniques which, if not carefully followed, will result in damage to the equipment.

WARNING: Procedures and techniques which, if not carefully followed, will expose the user to the risk of fire, serious injury, illness or death.

QUICK REFERENCE GUIDE

1. Prior to the first use of the electric fireplace verify the following:

- Are the circuit breakers for the unit on?

2. The heater on your electric fireplace may emit a slight, harmless odor when first used. This odor is a normal condition caused by the initial heating of internal heater parts and will not occur again.

3. The information regarding the model of your electric fireplace can be found on the rating plate located on the back of the unit.

4. If you have any question about the technology or operation please contact our customer service department at 1-855-607-6557, 8:00 am - 4:30 pm EST, Monday through Friday or email info@factorybuysdirect.com.

IMPORTANT INSTRUCTIONS

When using electrical appliances, basic precautions should always be followed to reduce the risk of fire, electric shock, and injury to persons, including the following:

1. Read all instructions before using the electric fireplace.

2. The heater is hot when in use. To avoid burns, do not let bare skin touch the hot surfaces. The trim around the heater outlet becomes hot during heater operation. Keep combustible materials, such as furniture, pillows, bedding, papers, clothes, and curtains at least 3 Feet (0.9m) from the front of the unit.

CAUTION: High Temperature, keep electrical cords, drapery, and other furnishings at least 3 Feet (0.9m) from the front of the heater and away from the side and rear.

IMPORTANT INSTRUCTIONS CONT.

3. Extreme caution is necessary when any heater is used by or near children or individuals and whenever the unit is left operating and unattended.

4. Always unplug the electric fireplace when not in use.

5. Do not operate any unit with a damaged electrical cord or plug, or if the heater has malfunctioned, or if the electric fireplace has been dropped or damaged in any manner. Return heater to authorized service facility for examination, electrical or mechanical adjustment, or repair.

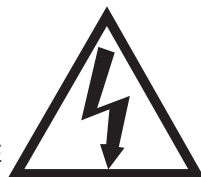


CAUTION

RISK OF ELECTRIC SHOCK

DO NOT OPEN

NO USER-SERVICEABLE PARTS INSIDE



6. Do not use outdoors.

7. The electric fireplace is not intended for use in bathrooms, laundry areas and similar indoor locations. Never locate heater where it may fall into a bathtub or other water container.

8. Do not run the electrical cord under carpeting. Do not cover electrical cord with throw rugs, runners, or similar materials. Arrange electrical cord away from traffic area and where it will not be tripped over.

9. To disconnect the unit, turn the controls off, then remove the electrical plug from the outlet.

10. Do not insert or allow foreign objects to enter any ventilation or exhaust opening as this may cause an electric shock or fire, or damage to the heater.

11. To prevent a possible fire, do not block air intake or exhaust in any manner. Do not use on soft surfaces, like a bed, where openings may become blocked.

12. All electrical heaters have hot and arching or sparking parts inside. Do not use in areas where gasoline, paint, or flammable liquids are used or stored or where the unit will be exposed to flammable vapors.

13. Do not modify the electric fireplace. Use it only as described in this manual. Any other use not recommended by the manufacturer may cause fire, electric shock or injury to persons.

14. To reduce the risk of electric shock, this appliance has a polarized plug (one blade is wider than the other). This plug will fit in a polarized outlet only one way. If the plug does not fit fully in the outlet, reverse the plug. If it still does not fit, contact a qualified electrician to install the proper outlet. Do not change the plug in any way. Avoid the use of an extension cord. Extension cords may overheat and

IMPORTANT INSTRUCTIONS CONT.

cause a risk of fire. If you must use an extension cord, the cord must be No.16 AWG minimum size and rated no less than 1875 watts.

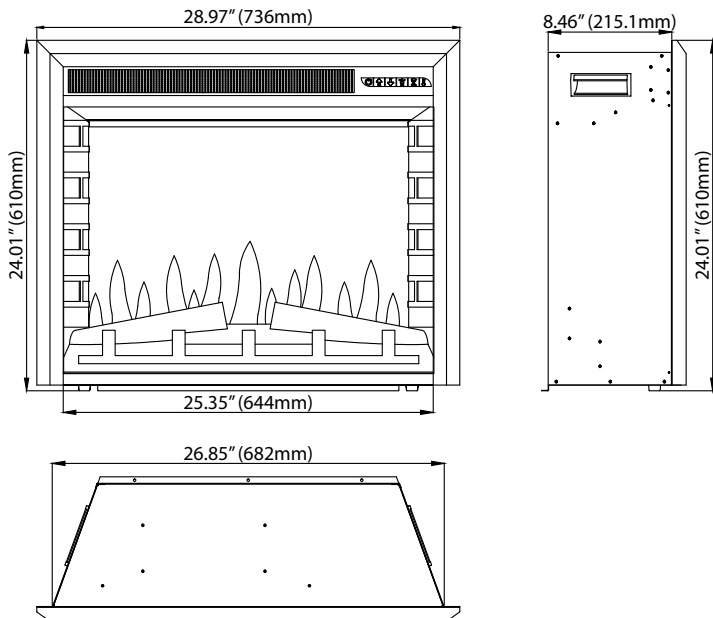
15. Do not burn wood or other materials in the electric fireplace.
16. Do not strike the clear door panel.
17. Always use a certified electrician should new circuits or outlets be required.
18. Always use properly grounded, fused and polarized outlets.
19. Disconnect all power supply before performing any cleaning, maintenance or relocation of the unit.
20. When transporting or storing the unit and electrical cord, keep in a dry place, free from excessive vibration and store so as to avoid damage.

WARNING: In order to avoid overheating, do not cover the heater.

SPECIFICATIONS

Model	EL1346C
Rated Voltage	AC 120V, 60Hz
Rated Power	1,350W
Power of Heating Apparatus	650W/1,350W

PRODUCT DIMENSIONS



INSTALLATION

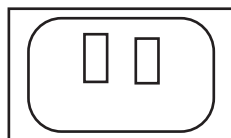
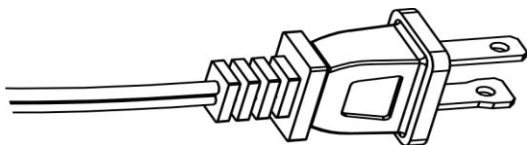
NOTE: A 15Amp/120Volt alternating current (VAC) circuit is required. A dedicated circuit is preferred but not essential in all cases. A dedicated circuit will be required if, after installation, the circuit breaker trips or fuse blows on a regular basis when the heater is operating. Additional appliances on the same circuit may exceed the current rating of the circuit breaker.

WARNING: Ensure the electrical cord is not installed so that it is pinched or against a sharp edge and ensure that the electrical cord is stored or secured to avoid tripping or snagging to reduce the risk of fire, electric shock or injury to persons.

Construction and electrical outlet wiring must comply with local building codes and other applicable regulations to reduce the risk of fire, electric shock and injury to persons. Do not attempt to wire your own new outlets or circuits. To reduce the risk of fire, electric shock or injury to persons, always use a licensed electrician.

ELECTRIC FIREPLACE INSTALLATION

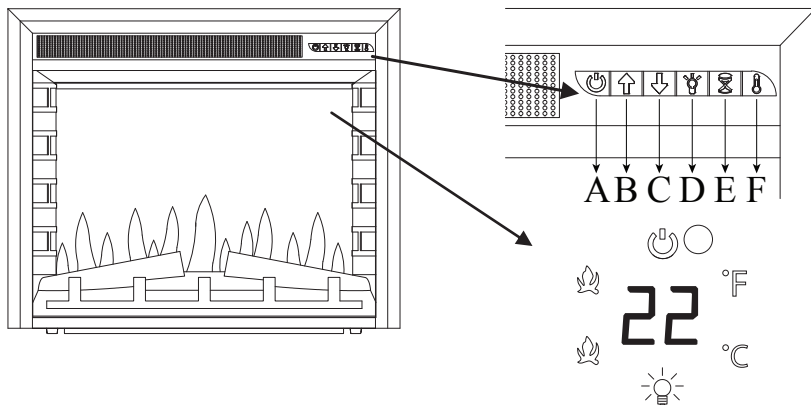
1. Make sure the units MAIN ON/OFF switch is switched OFF (refer to operating instruction section).
2. Plug the unit into a 15Amp/120VAC outlet. If the cord does not reach, an extension cord may be used. The extension cord must be No.16 AWG minimum size and rated no less than 1875 watts.
3. ADAPTERS ARE NOT ALLOWED CANADA



OPERATING INSTRUCTIONS

NOTE: When you first turn the heater on, it may emit a slight but harmless odor. This odor results from certain oils or greases being heated as the appliance is used for the first time. This odor is perfectly safe and will stop shortly, it will not reoccur after the first operation of the appliance.

CONTROL PANEL OPERATION:



Button (A): “ON” / “OFF” Button

Push button A to turn electric fireplace on, power icon on front screen will turn yellow, the flame effect will come on when the electric fireplace is on. Push button A again, power icon will disappear, no flame effect.

Temperature Buttons - Increase (B) and Decrease(C)

This electric fireplace is equipped with a thermostat. Press the Temperature button B to increase the temperature. (The electric fireplace heater and fan will only turn on if the temperature setting is higher than the room temperature. Heating icon will light up while heating.)

Press the Temperature button C to decrease the temperature. (The electric fireplace heater and fan will turn off if the temperature setting is lower than the room temperature. Heating icon will disappear.)

Button (D): Dimmer

Push button D when electric fireplace is on, dimmer icon on front screen starts flashing. Push button B to increase the flame effect, push button C to decrease the flame effect.

Button (E): Timer

Push button E when electric fireplace is on, digit icon on front screen starts flashing. Push button B to increase time, time will be increased by the following sequence: 00-30-1H-2H-3H-4H-5H-6H-7H-8H-9H. Push button C to decrease time. (NOTE: Timer is approximate and extreme caution is necessary when the electric fireplace is left operating and unattended. Keep children, individuals and pets away from the unit when in use.)

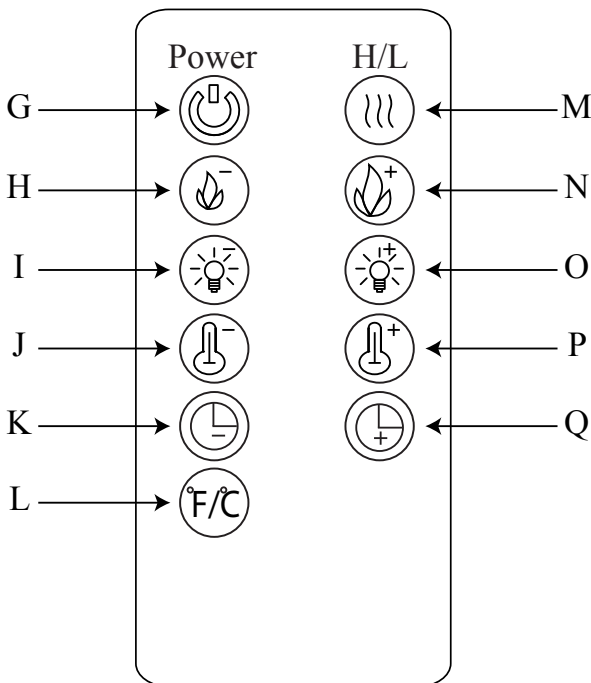
OPERATING INSTRUCTIONS CONT.

Button (F): °C / °F

Push button F to change the heat readout settings. °C for Celsius, °F for Fahrenheit. Corresponding icon will be shown on front screen after the button is pressed.

REMOTE CONTROL OPERATION:

This heater includes a remote control. Each remote control is shipped with a plastic tab inserted into the battery compartment to prevent damage and power loss. Please remove the plastic tab by pulling the plastic tab out of the compartment. See below for directions to use the remote control:



Button (G): “ON” / “OFF” Button

Push button G to turn electric fireplace on, power icon on front screen will turn yellow, the flame effect will come on when electric fireplace is on. Push button G again, power icon will disappear, no flame effect.

Button (M): Low / High Heating

The default heat setting is high heating after the heater turns on, two heating icons shown on front screen as high heating mode. Press button M once, it will change to low heating mode, only one heating icon shown on front screen. Press button M again, it will return to high heating mode.

Button (H): Dimmer (Brightness Decrease)

Push button H to decrease the flame effect.

OPERATING INSTRUCTIONS CONT.

Button (N): Dimmer (Brightness Increase)

Push button N to increase the flame effect.

Button (I): Dimmer (Background Light Decrease)

Push button I to decrease background light, press once and the background light decreases one level.

Button (O): Dimmer (Background Light Increase)

Push button O to increase background light, press once and the background light increases one level.

Temperature Buttons – Increase (J) and Decrease (P)

This electric fireplace is equipped with a thermostat. Press the Temperature Button J to increase the temperature. (The electric fireplace heater and fan will only turn on if the temperature setting is higher than the room temperature. Heating icon will light up while heating.)

Press the Temperature Button P to decrease the temperature. (The electric fireplace heater and fan will turn off if the temperature setting is lower than the room temperature. Heating icon will disappear.)

Timer Buttons – Increase (K) and Decrease (Q)

Push button Q to increase time, time will be increased by following sequence: 00-30-1H-2H-3H-4H-5H-6H-7H-8H-9H. Push button K to decrease time.

(NOTE: Timer is approximate and extreme caution is necessary when the electric fireplace is left operating and unattended. Keep children, individuals and pets away from the unit when in use.)

Button (L): °C / °F

Push button L to change the heat readout settings. °C for Celsius, °F for Fahrenheit. Corresponding icon will be shown on front screen after the button is pressed.

NOTE: Digit and icon readouts on front screen will disappear if there has been no user operation for 30 seconds. Press any button on the control panel or remote control and icon readouts appear again.

CARE AND MAINTENANCE

WARNING: Disconnect power before attempting any maintenance or cleaning to reduce the risk of fire, electric shock or damage to persons.

NOTE: If you need to leave for an extended time period, turn off the main power switch and unplug the heater.

CARE AND MAINTENANCE CONT.

GLASS CLEANING

The glass is cleaned in the factory during the assembly operation. During shipment, installation, handling, etc., the clear door may collect dust particles; these can be removed by dusting lightly with a clean dry cloth.

To remove fingerprints or other marks, the clear door can be cleaned with a damp cloth. The clear door should be completely dried with a lint free cloth to prevent water spots.

CAUTION: Do not use abrasive cleaners on glass surface or spray liquids directly onto any surface.

FIREPLACE SURFACE CLEANING

Use a cloth dampened with warm water only to clean painted surfaces of the electric fireplace. Do not use abrasive cleaners.

SERVICING

Except for cleaning described above, an authorized service representative should perform any other servicing.

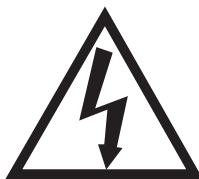


CAUTION

RISK OF ELECTRIC SHOCK

DO NOT OPEN

NO USER-SERVICEABLE PARTS INSIDE



TROUBLESHOOTING

Warning: Turn off the appliance, unplug and let cool for at least 10 minutes before attempting to service. Only a qualified professional should attempt to service or repair the appliance

Problem	Possible Cause	Corrective Action
Flame is dim or not present	1. "Flame wand" has come loose from bracket	1. The LED light is out of work, please contact your dealer
No warm air is coming from the heater	1. The overheat protection device in the appliance has been triggered	1. Turn all controls off, unplug the appliance, allow to cool for at least 10 minutes, plug back in and restart.
The appliance turns off and will not turn back on	1. The overheat protection device in the appliance has been triggered 2. House circuit breaker has been tripped.	1. Turn all controls off, unplug the appliance, allow to cool for at least 10 minutes, plug back in and restart. 2. Reset house circuit breaker.

WARRANTY

KEEP THIS WARRANTY

Model _____

Serial No. _____

Date Purchased _____

Keep receipt for warranty verification.

REGISTER YOUR PRODUCT AT WWW.FACTORYBUYSDIRECT.COM

FACTORY BUYS DIRECT LIMITED WARRANTIES

New Products

Standard Warranty: Factory Buys Direct warrants this new product and any parts thereof to be free from defects in material and workmanship for a period of one (1) year from the date of first purchase from an authorized dealer provided the product has been installed, maintained and operated in accordance with Factory Buys Direct's warnings and instructions.

For products purchased for commercial, industrial or rental usage, this warranty is limited to 90 days from the date of first purchase.

Factory Reconditioned Products

Limited Warranty: Factory Buys Direct warrants factory reconditioned products and any parts thereof to be free from defects in material and workmanship for a period 30 days from the date of first purchase from an authorized dealer provided the product has been installed, maintained and operated in accordance with Factory Buys Direct's warnings and instructions. No return will be authorized. Parts will be provided to repair the product.

Terms Common to All Warranties

The following terms apply to all of the above warranties:

Always specify model number and serial number when contacting the manufacturer. To make a claim under this warranty, the bill of sale or other proof of purchase must be presented.

This warranty is extended only to the original retail purchaser when purchased from an authorized dealer, and only when installed by a qualified installer in accordance with all local codes and instructions furnished with this product.

This warranty covers the cost of part(s) required to restore this product to proper operating condition and an allowance for labor when provided by a Factory Buys Direct Authorized Service Center or a provider approved by Factory Buys Direct. Warranty parts must be obtained through authorized dealers of this product and/or Factory Buys Direct who will provide original factory replacement parts. Failure to use original factory replacement parts will void this warranty.

Traveling, handling, transportation, diagnostic, material, labor and incidental costs associated with warranty repairs, unless expressly covered by this warranty, are not reimbursable under this warranty and are the responsibility of the owner.

Excluded from this warranty are products or parts that fail or become damaged due to misuse, accidents, improper installation, lack of proper maintenance, tampering or alteration(s).

This is Factory Buys Direct's exclusive warranty, and to the full extent allowed by law; this express warranty excludes any and all other warranties, express or implied, written or verbal and limits the duration of any and all implied warranties, including warranties of merchantability and fitness for a particular purpose to one (1) year on new products and 30 days on factory reconditioned products from the date of first purchase.

Factory Buys Direct makes no other warranties regarding this product.

Factory Buys Direct's liability is limited to the purchase price of the product and Factory Buys Direct shall not be liable for any other damages whatsoever under any circumstances including direct, indirect, incidental, or consequential damages.

Some states do not allow limitations on how long an implied warranty lasts or the exclusion or limitation of incidental or consequential damages, so the above limitation or exclusion may not apply to you.

This warranty gives you specific legal rights, and you may also have other rights which vary from state to state.



**FACTORY
BUYS
DIRECT.COM**

Factory Buys Direct
500 Brown Industrial Parkway
Canton, GA 30114
1-855-607-6557

M180017-1
Rev. A
06/15