




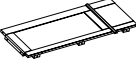
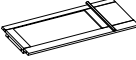





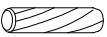



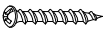

ASSEMBLY INSTRUCTIONS

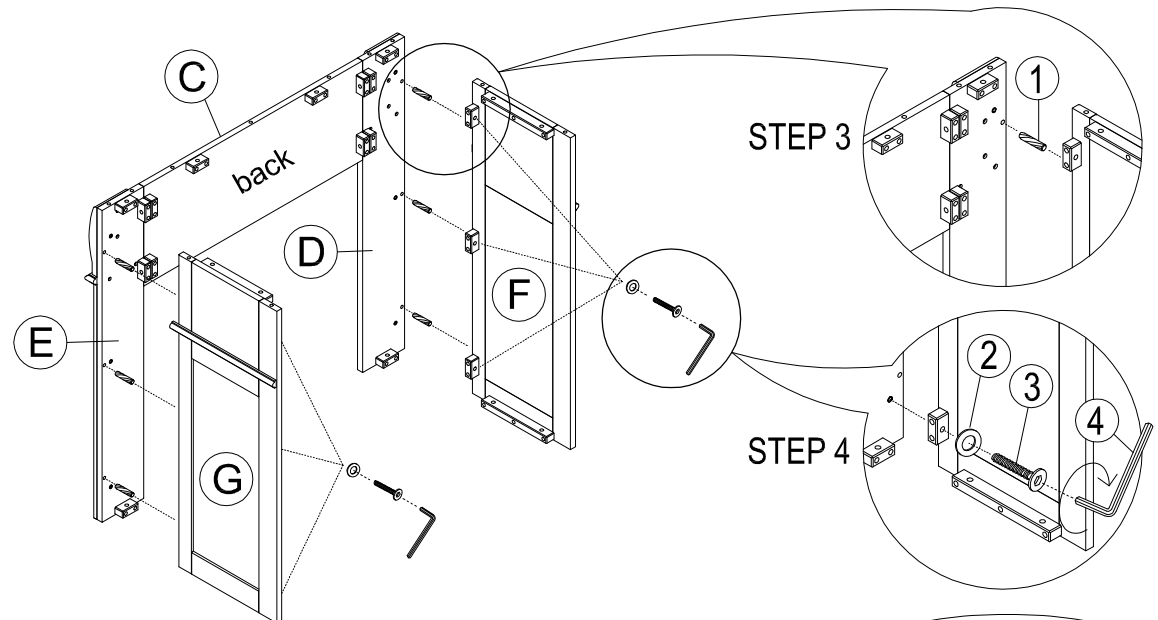
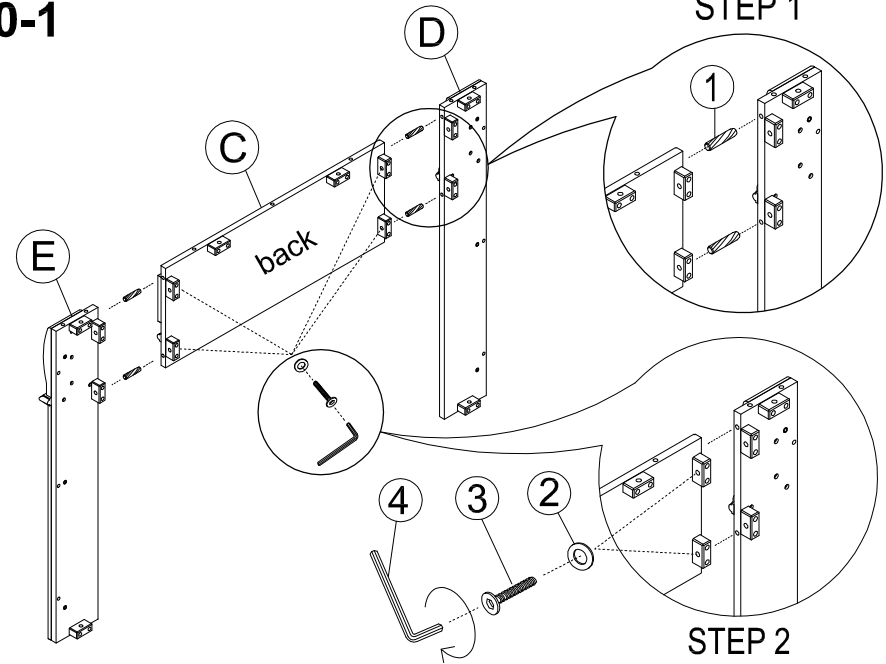
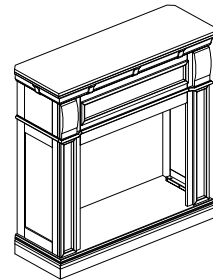
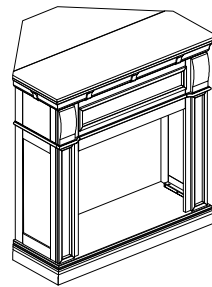
Model: CM300-1

COMPONENT LIST

No.	Drawing	Description	Q'TY
A		TOP PANEL	1 PC
B		TRIANGLE	1 PC
C		FRONT PANEL	1 PC
D		LEFT FRONT PANEL	1 PC
E		RIGHT FRONT PANEL	1 PC
F		LEFT SIDE PANEL	1 PC
G		RIGHT SIDE PANEL	1 PC
H		BOTTOM PANEL	1 PC
I		WOOD CLEAT	2 PCS
J		WOOD BLOCK	4 PCS

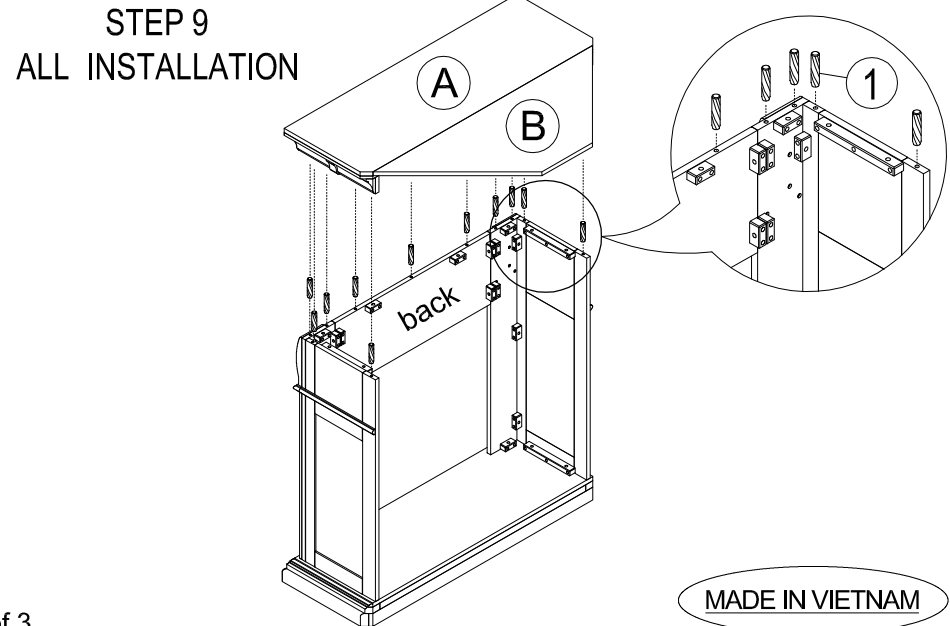
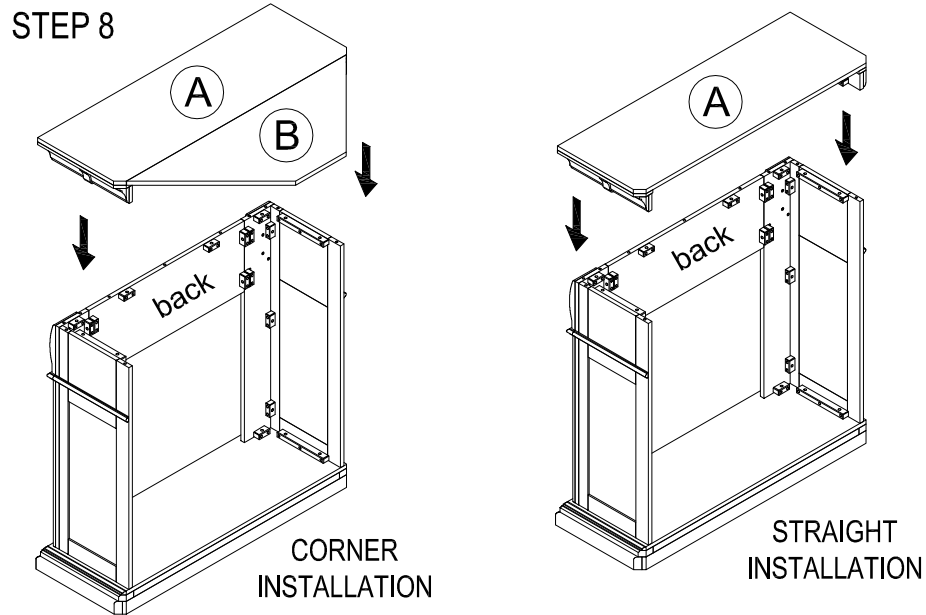
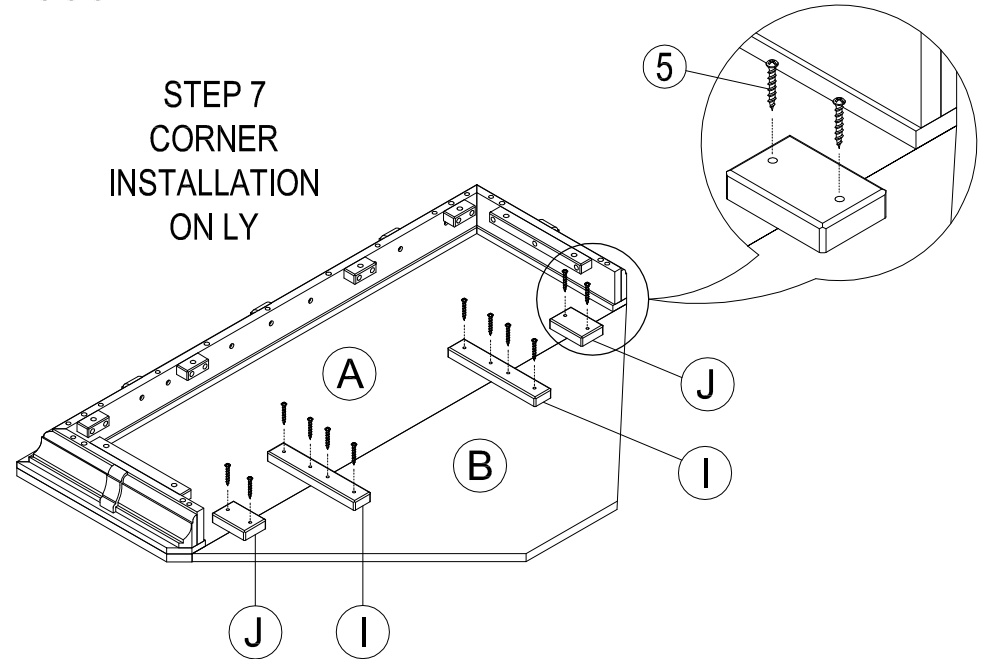
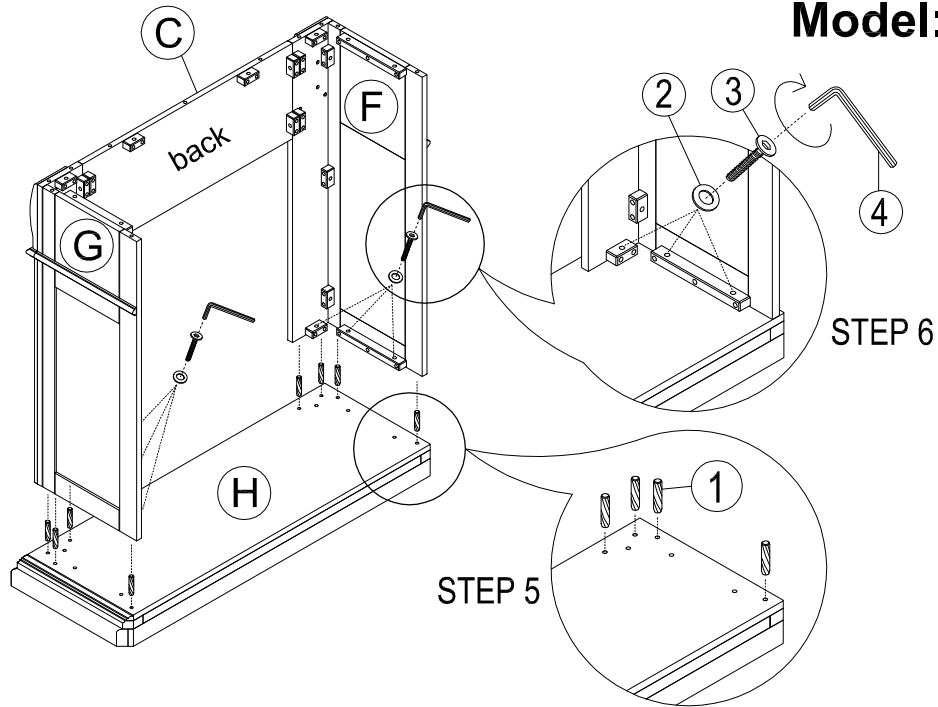
HARDWARE LIST

1		Wood Dowel Φ8 x 30 mm	29 PCS
2		Flat Washer 8 x 16 x 1 mm	24 PCS
3		Allen Bolt 1/4 " x 32 # 13 mm	24 PCS
4		Allen Wrench 4 mm	1 PC
5		Screw 1/4 " x 30 mm	12 PCS
6		Screw 1/4 " x 50 mm	4 PCS



ASSEMBLY INSTRUCTIONS

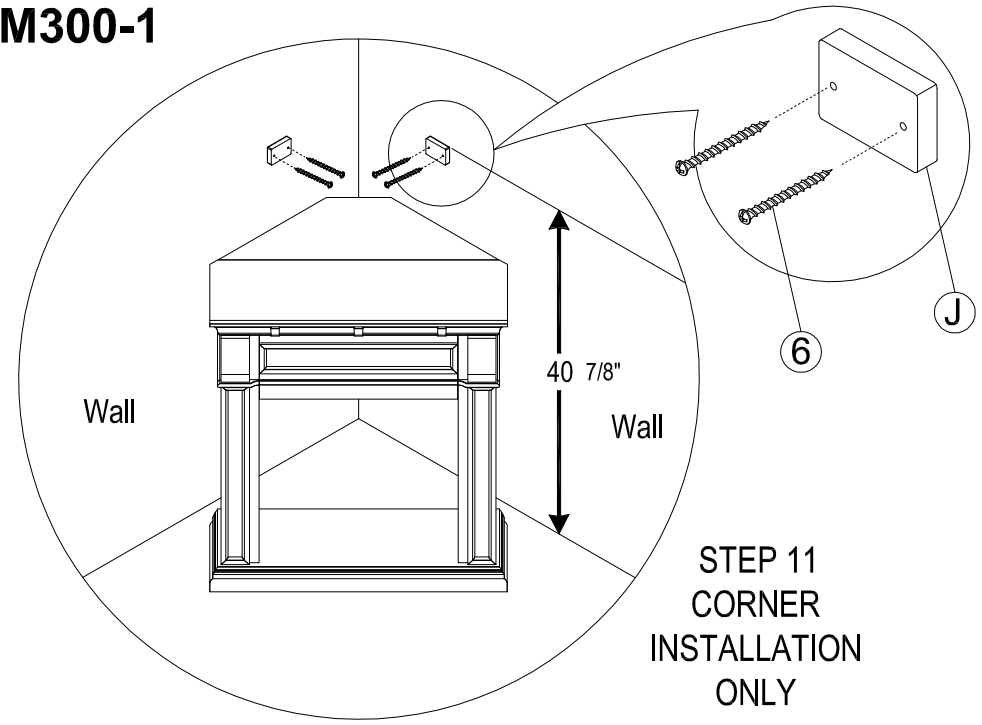
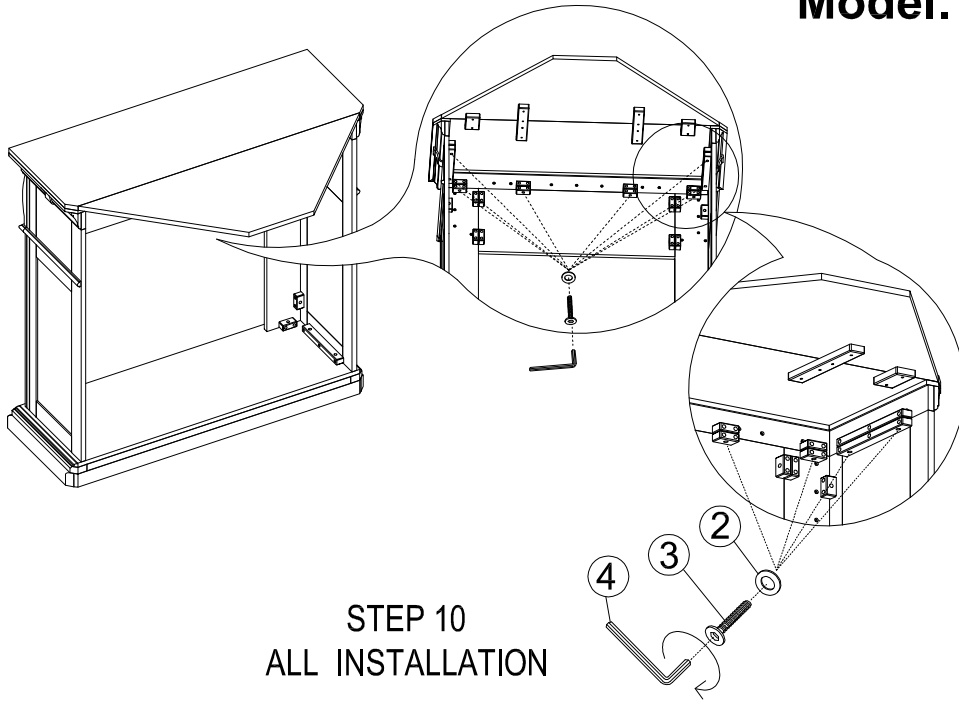
Model: CM300-1



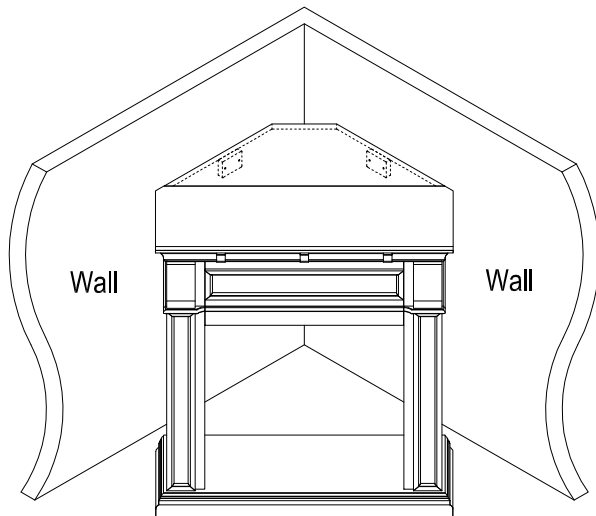
MADE IN VIETNAM

ASSEMBLY INSTRUCTIONS

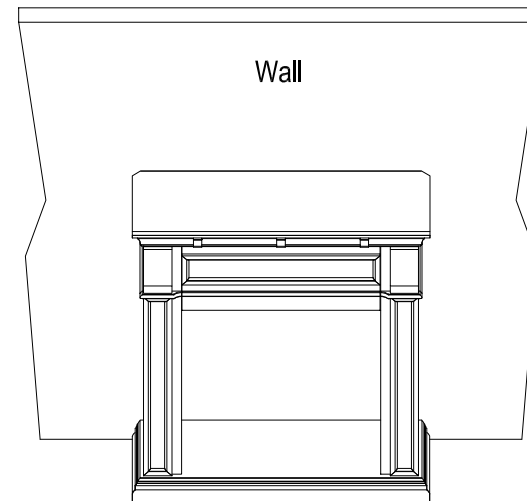
Model: CM300-1



CORNER
INSTALLATION



Wall



STRAIGHT
INSTALLATION