

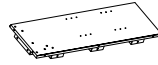
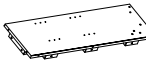











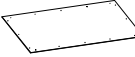



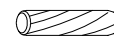




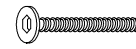

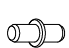
# ASSEMBLY INSTRUCTIONS

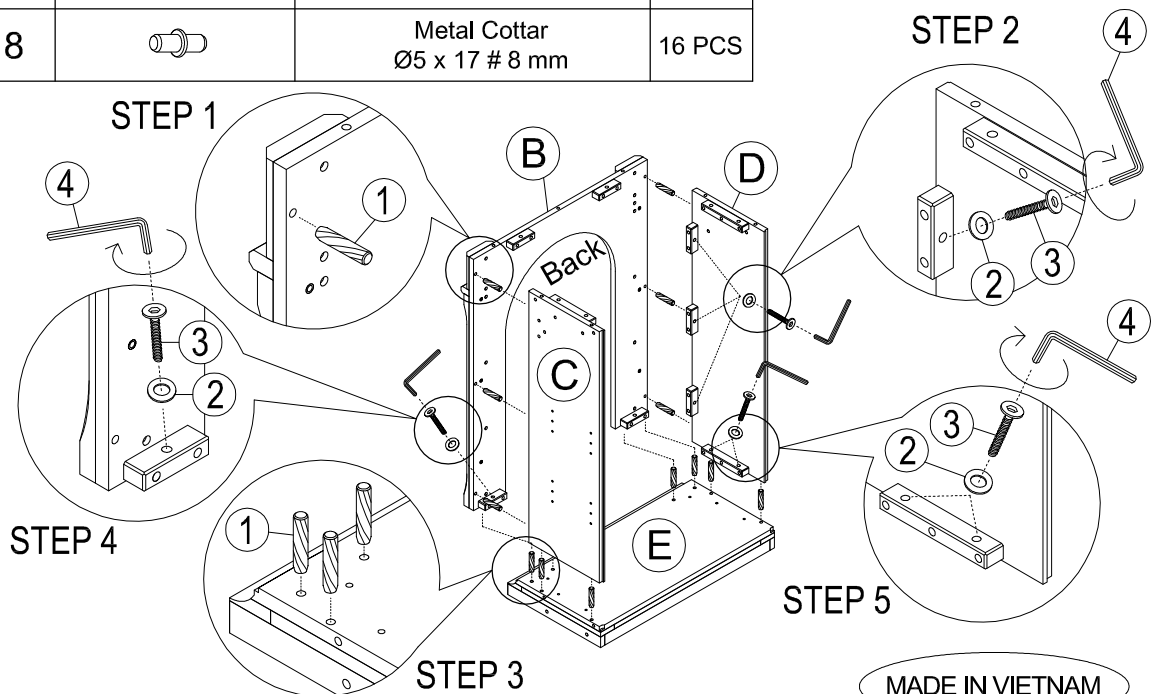
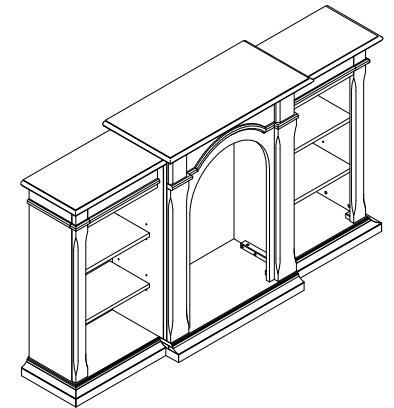
Model: CM150-2

## COMPONENT LIST

| No. | Drawing   | Description                        | Q'TY  |
|-----|---|------------------------------------|-------|
| A   |    | LARGE TOP PANEL                    | 1 PC  |
| B   |    | LARGE FRONT PANEL                  | 1 PC  |
| C   |    | LARGE RIGHT SIDE PANEL             | 1 PC  |
| D   |    | LARGE LEFT SIDE PANEL              | 1 PC  |
| E   |    | LARGE BOTTOM PANEL                 | 1 PC  |
| F   |    | SMALL RIGHT TOP PANEL              | 1 PC  |
| G   |    | SMALL RIGHT HORIZONTAL FRONT PANEL | 1 PC  |
| H   |    | SMALL RIGHT VERTICAL FRONT PANEL   | 1 PC  |
| I   |    | SMALL RIGHT SIDE PANEL             | 1 PC  |
| J   |    | SMALL RIGHT BOTTOM PANEL           | 1 PC  |
| K   |  | SMALL LEFT TOP PANEL               | 1 PC  |
| L   |  | SMALL LEFT HORIZONTAL FRONT PANEL  | 1 PC  |
| M   |  | SMALL LEFT VERTICAL FRONT PANEL    | 1 PC  |
| N   |  | SMALL LEFT SIDE PANEL              | 1 PC  |
| O   |  | SMALL LEFT BOTTOM PANEL            | 1 PC  |
| P   |  | LEFT & RIGHT BACK PANEL            | 2 PCS |
| Q   |  | SHELVES PANEL                      | 4 PCS |

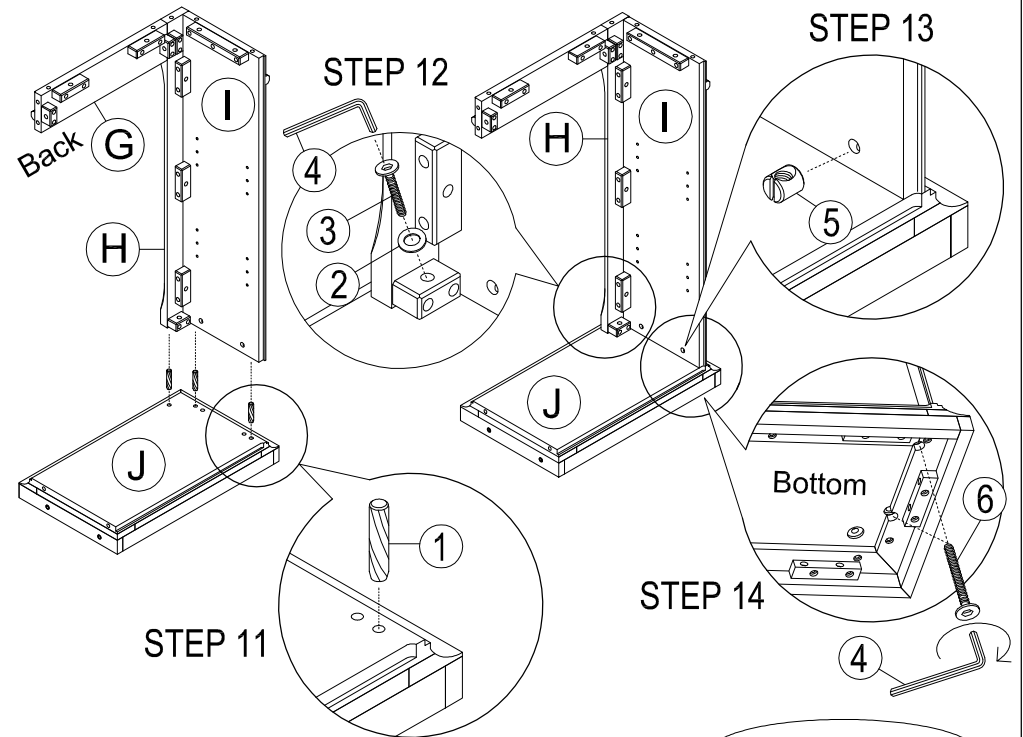
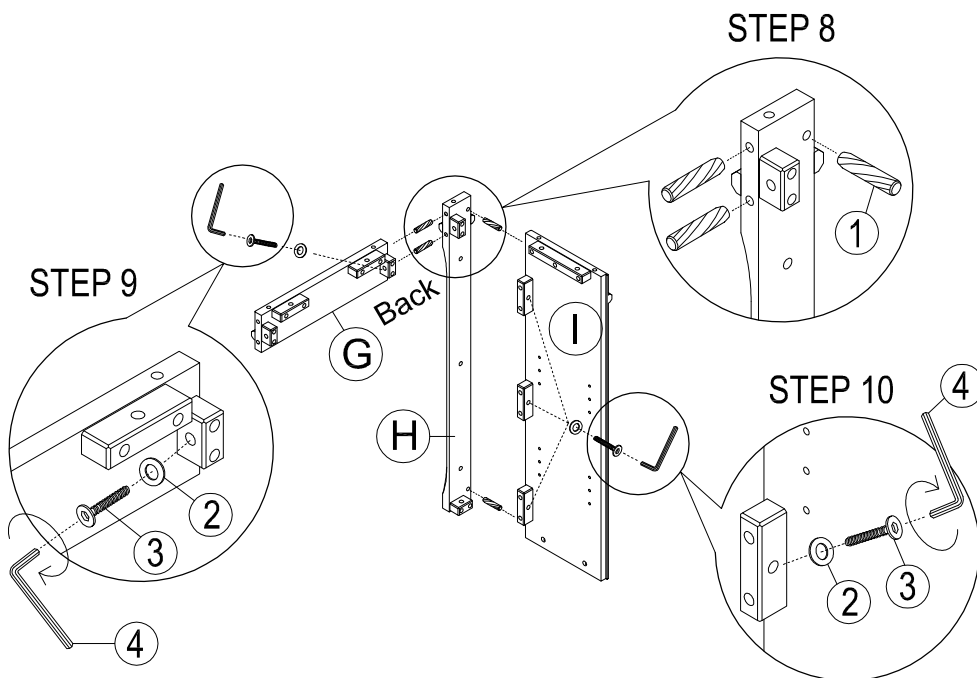
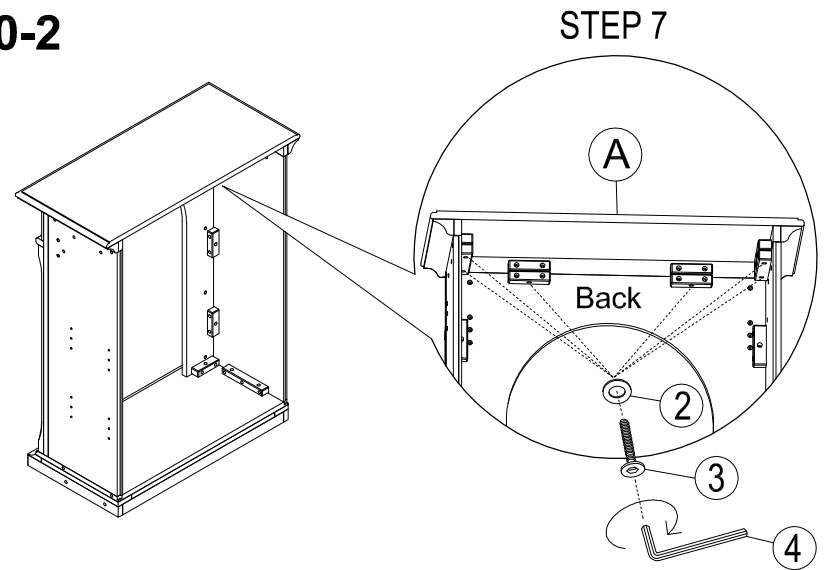
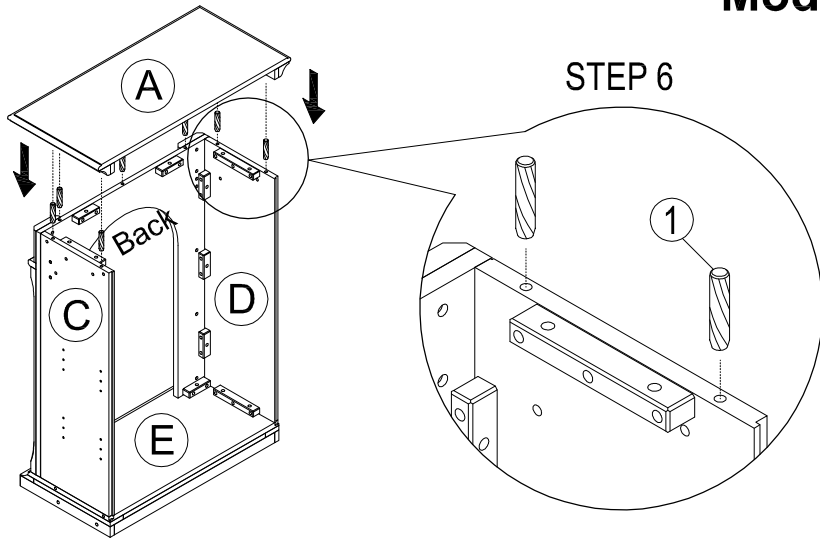
## HARDWARE LIST

| No. | Drawing   | Description                      | Q'TY   |
|-----|---|----------------------------------|--------|
| 1   |  | Wood Dowel<br>Φ8 x 30 mm         | 57 PCS |
| 2   |  | Flat Washer<br>8 x 16 x 1 mm     | 46 PCS |
| 3   |  | Allen Bolt<br>1/4 " x 32 # 13 mm | 46 PCS |
| 4   |  | Allen Wrench<br>4 mm             | 1 PC   |
| 5   |  | Metal Nut<br>Ø10 x 11 mm         | 4 PCS  |
| 6   |  | Allen Bolt<br>1/4 " x 40 # 13 mm | 4 PCS  |
| 7   |  | Screw<br>1/8 " x 12 mm           | 32 PCS |
| 8   |  | Metal Cottar<br>Ø5 x 17 # 8 mm   | 16 PCS |



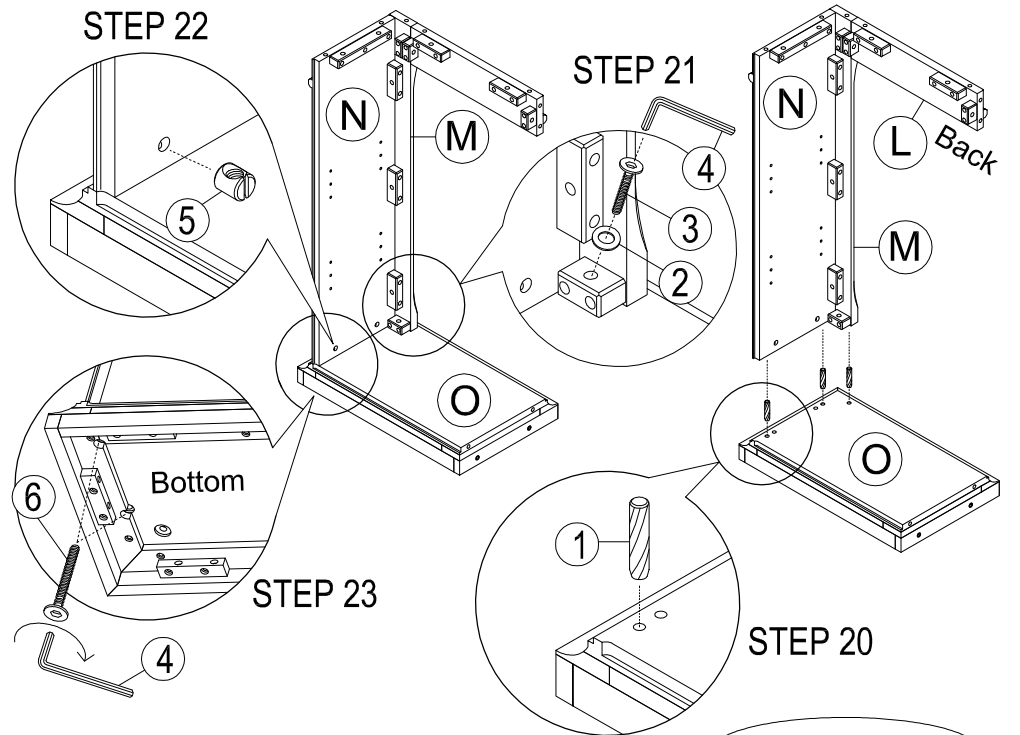
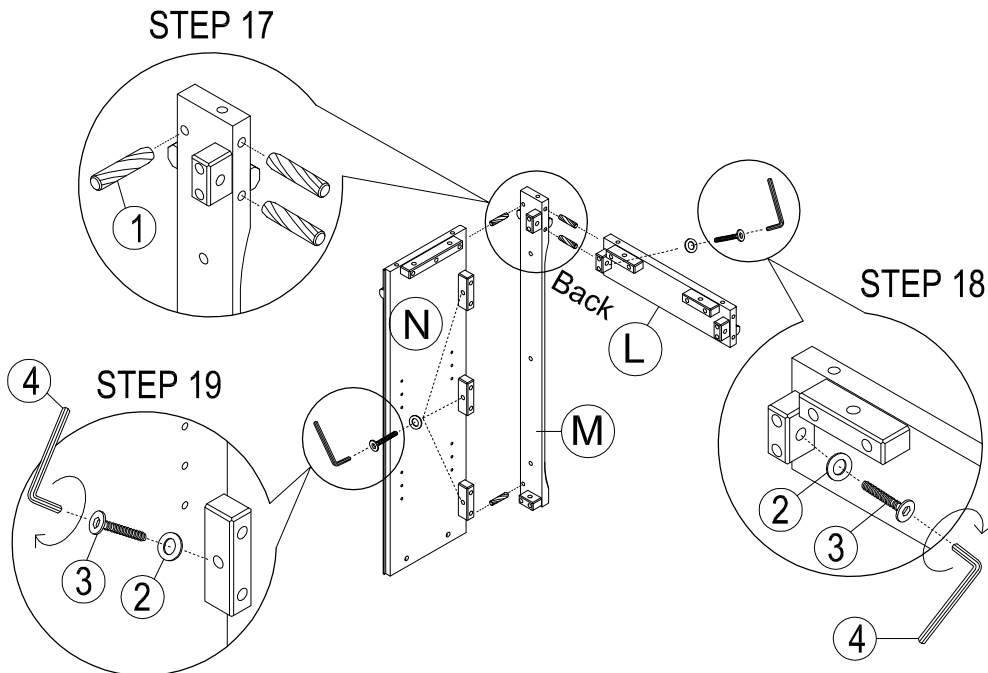
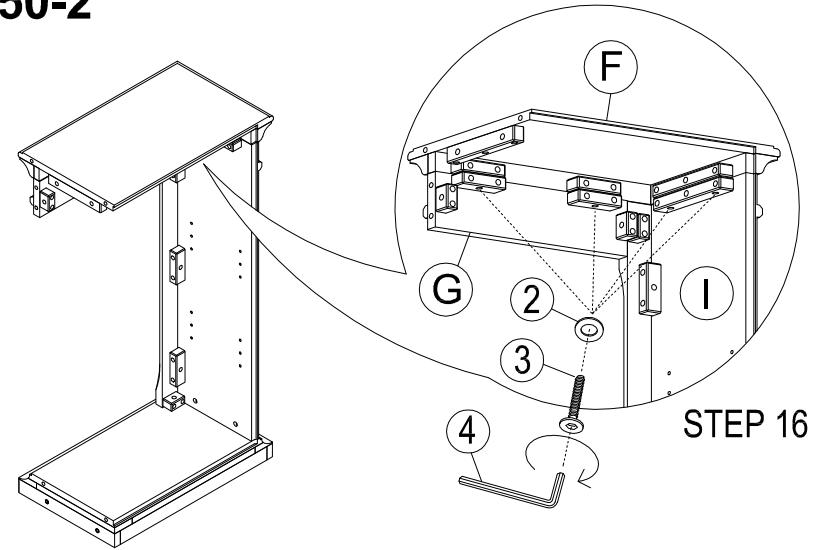
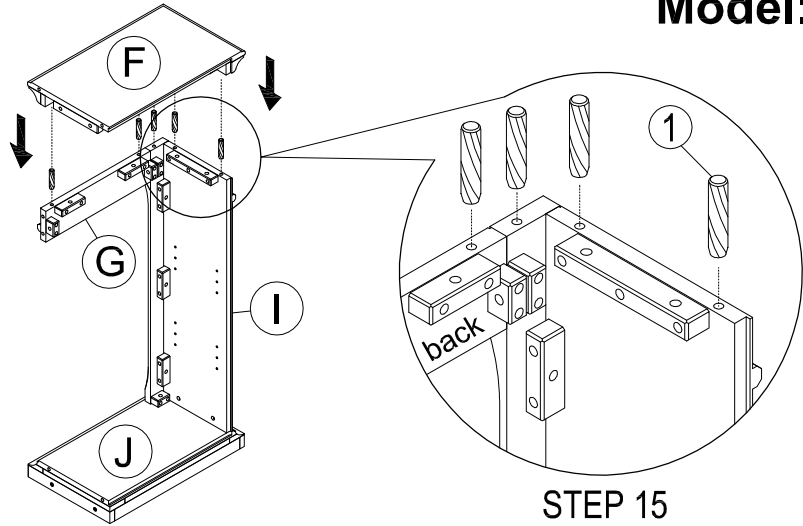
# ASSEMBLY INSTRUCTIONS

Model: CM150-2



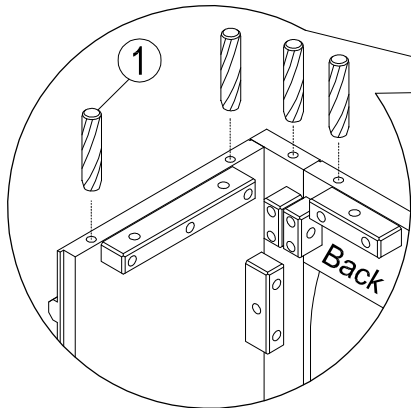
# ASSEMBLY INSTRUCTIONS

Model: CM150-2

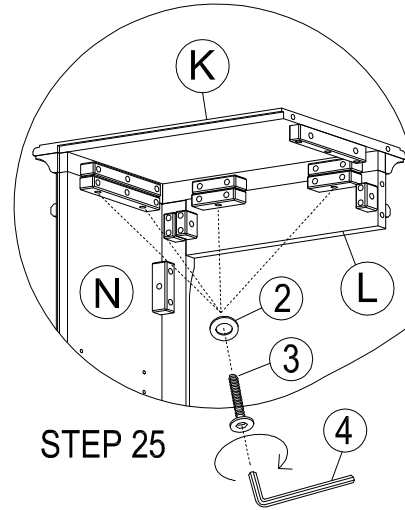
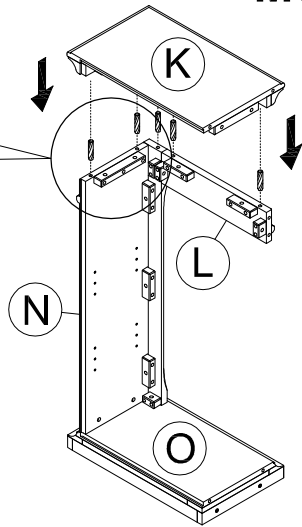


# ASSEMBLY INSTRUCTIONS

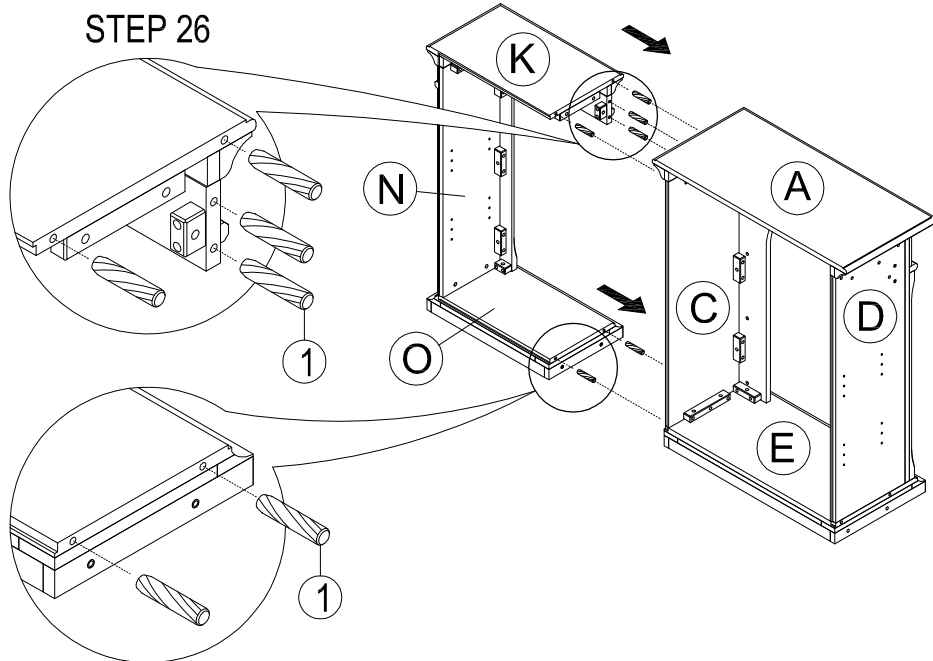
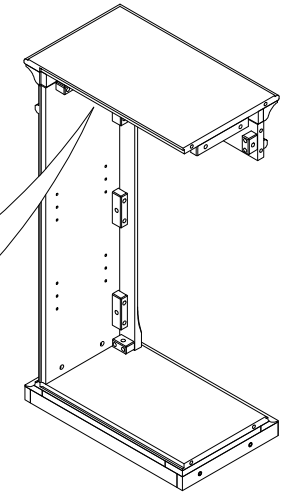
Model: CM150-2



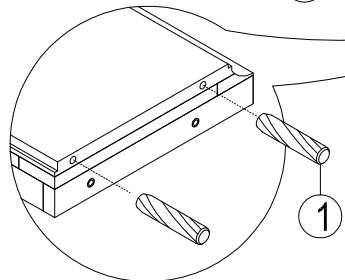
STEP 24



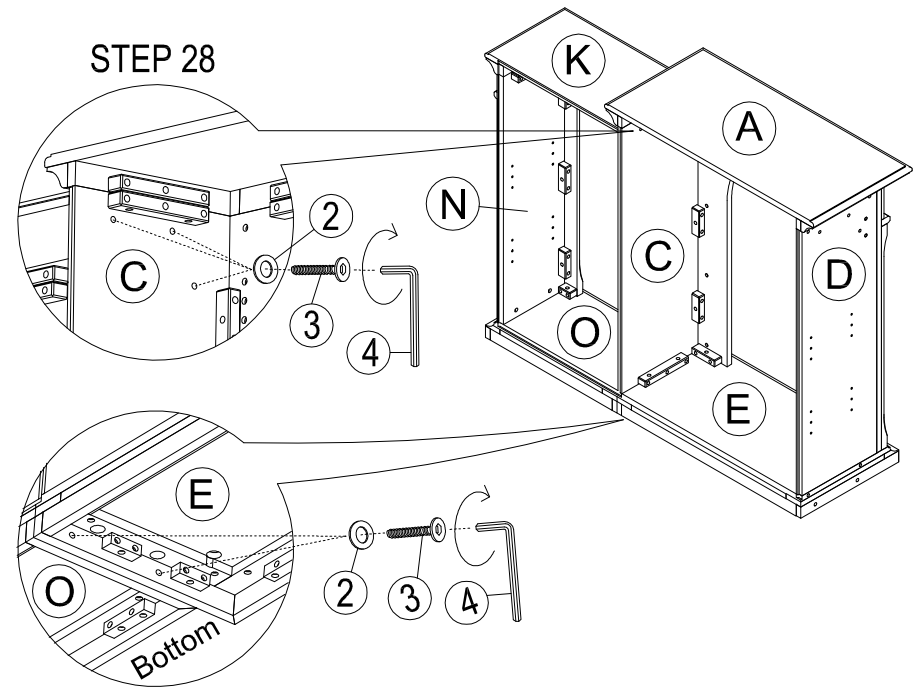
STEP 25



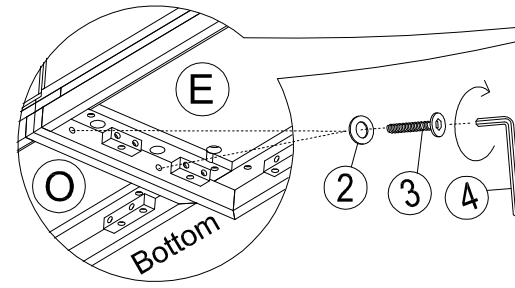
STEP 26



STEP 27



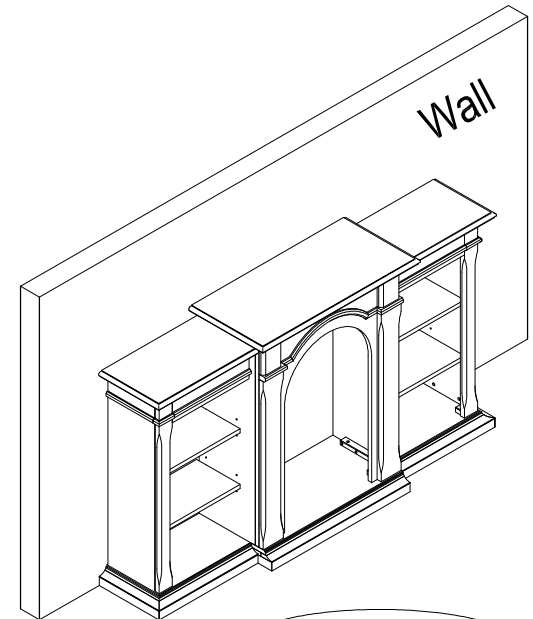
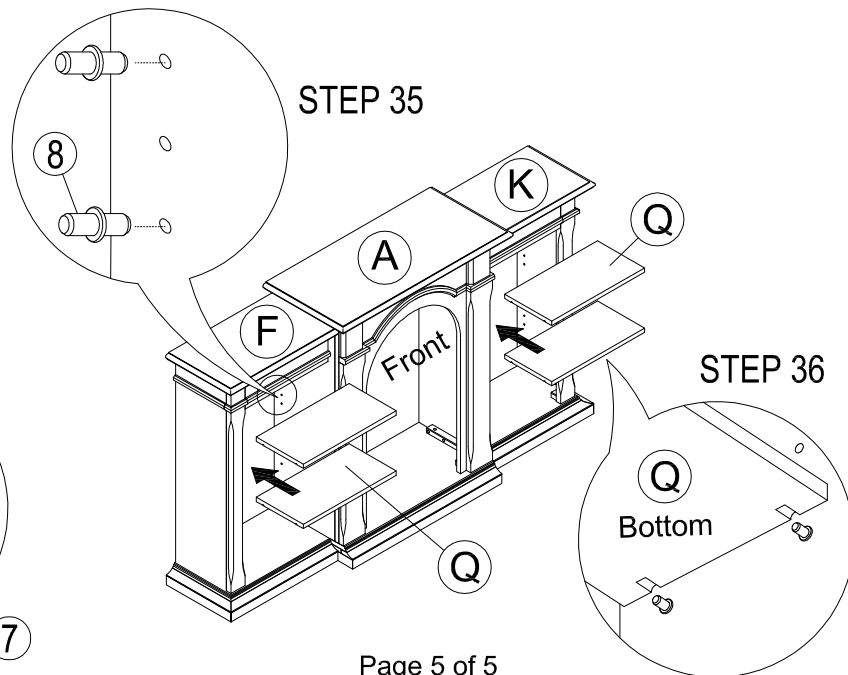
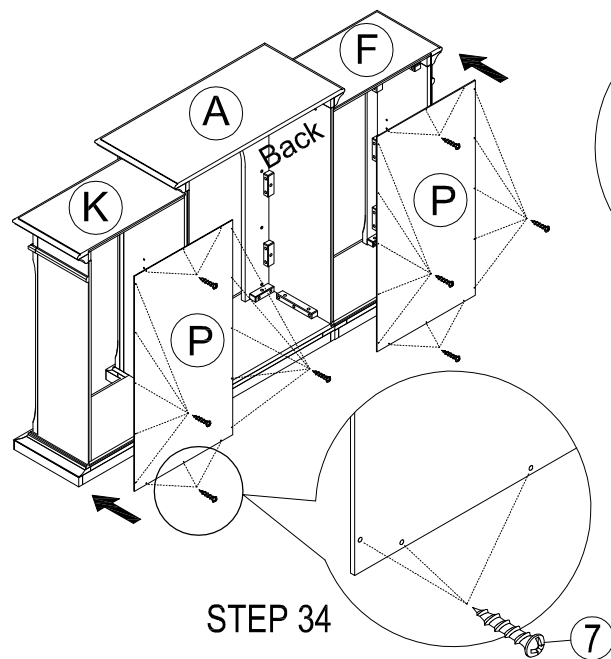
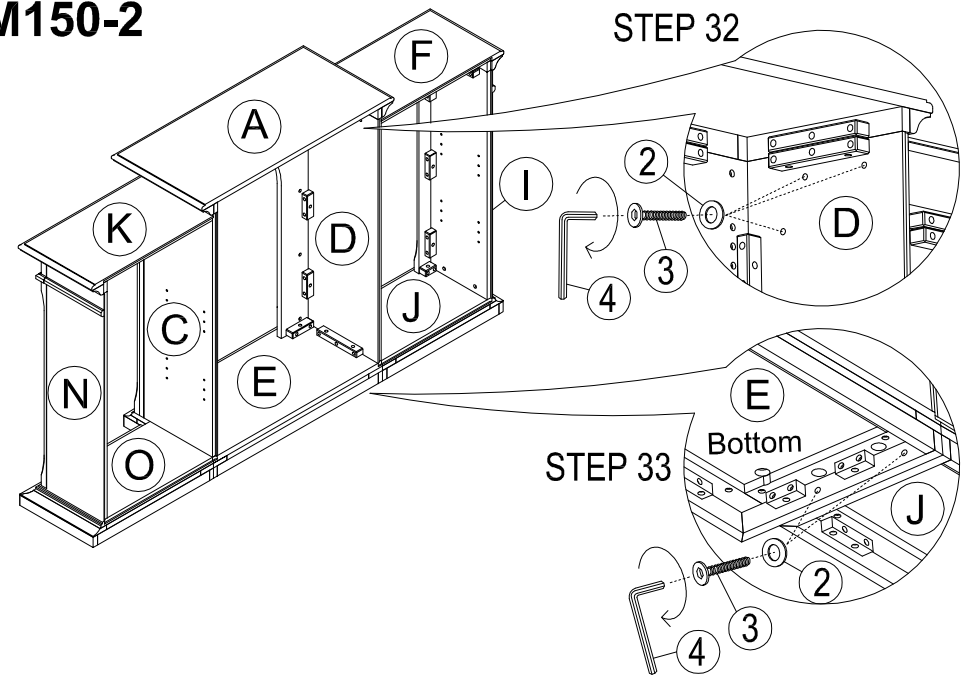
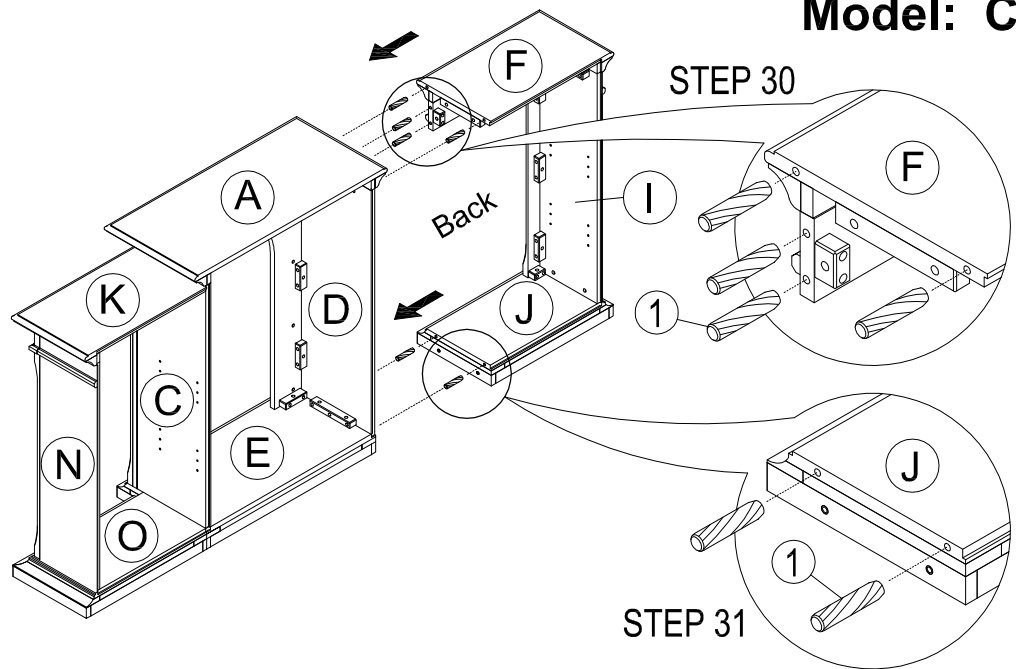
STEP 28



STEP 29

# ASSEMBLY INSTRUCTIONS

Model: CM150-2



MADE IN VIETNAM