

ASSEMBLY INSTRUCTIONS

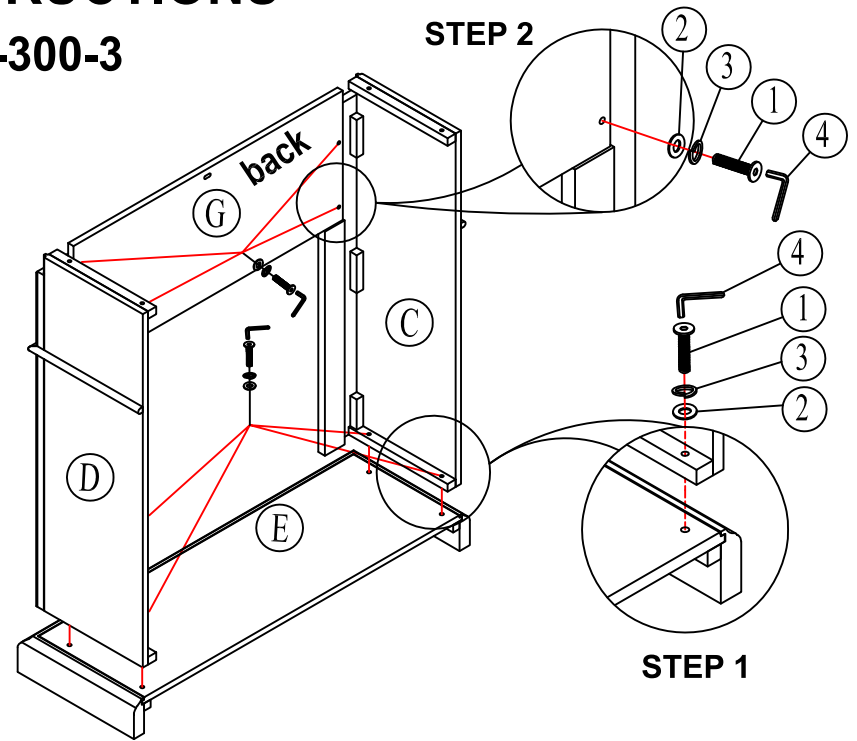
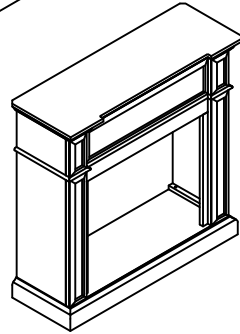
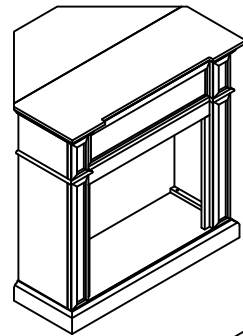
Model: PCE-300-3

COMPONENT LIST

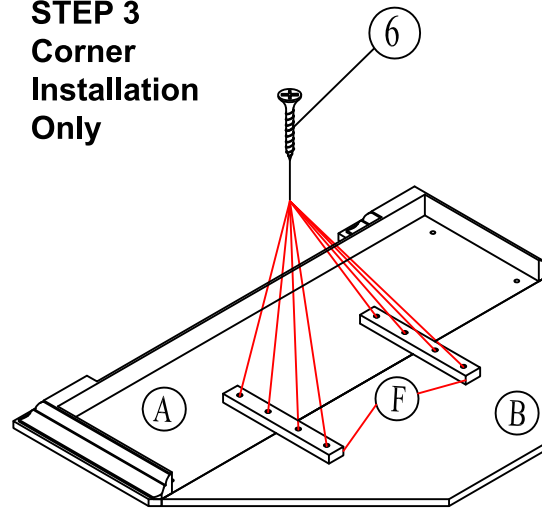
No.	Drawing	Description	QTY
A		TOP PANEL	1PC
B		TRIANGLE	1PC
C		LEFT SIDE PANEL	1PC
D		RIGHT SIDE PANEL	1PC
E		BOTTOM PANEL	1PC
F		WOOD CLEAT	2PCS
G		FRONT PANEL	1PC
H		WOOD BLOCK	2PCS

HARDWARE LIST

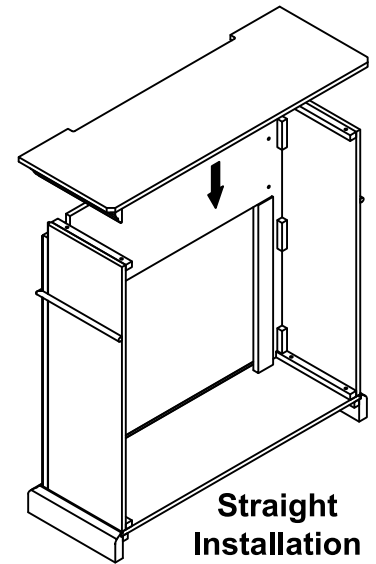
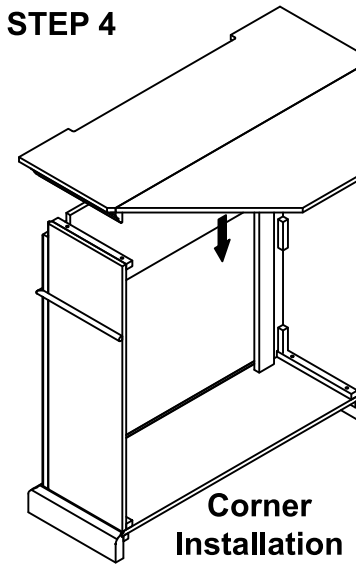
1		Allen Bolt 1/4" x 28 mm	13PCS
2		Flat Washer 1/4" x 16 x 1.5 mm	13PCS
3		Spring Washer 1/4"	13PCS
4		Allen Wrench 4 mm	1PC
5		Screw 1/4" x 50 mm	4PCS
6		Screw 1/4" x 30 mm	8PCS
7		Screw 1/4" x 15 mm	4PCS
8		"L" Metal	2PCS



STEP 3 Corner Installation Only



STEP 4



ASSEMBLY INSTRUCTIONS

Model: PCE-300-3

