

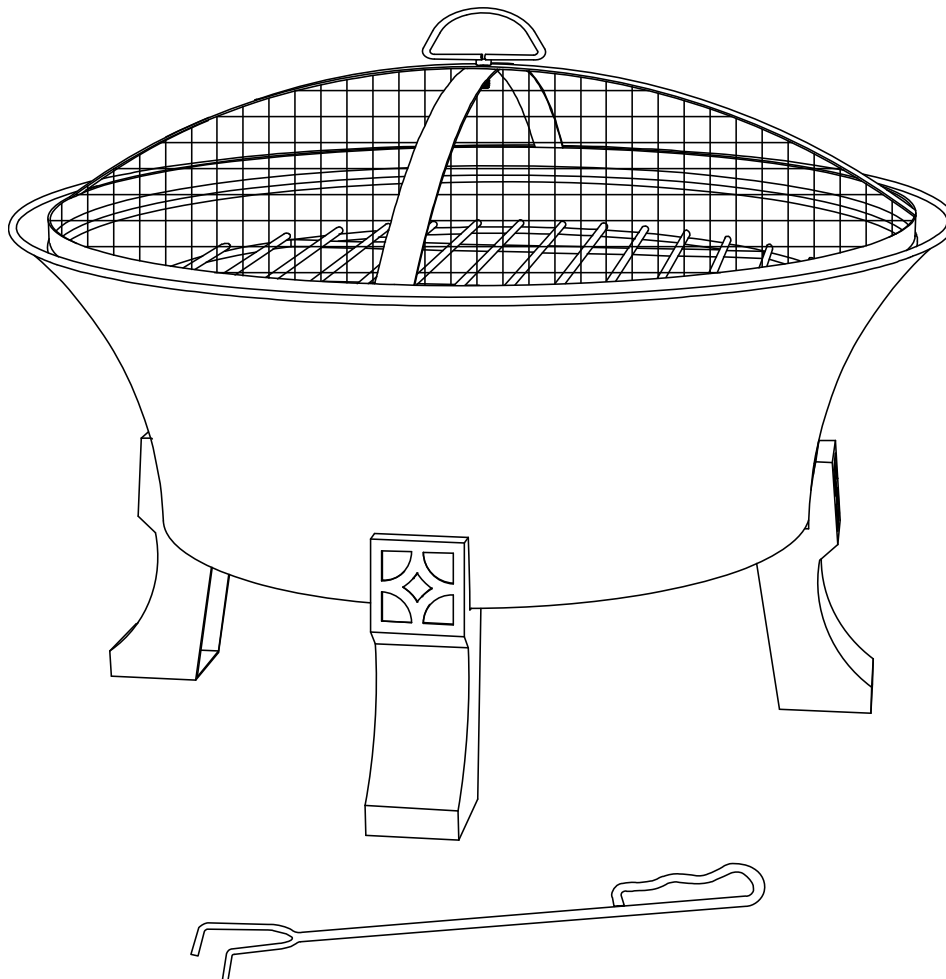


## Assembly Instruction

Model: BFPW26D-CC

Item: 140281

Product Name: 26" Cast Iron Bowl with Grill and Cover



**WARNING:** Fuels used in wood or charcoal burning appliances, and the products of combustion of such fuels, can expose you to chemicals including carbon black, which is known to the State of California to cause cancer, and carbon monoxide, which is known to the State of California to cause birth defects or other reproductive harm. For more information go to [www.P65Warnings.ca.gov](http://www.P65Warnings.ca.gov).

## Safety Information:

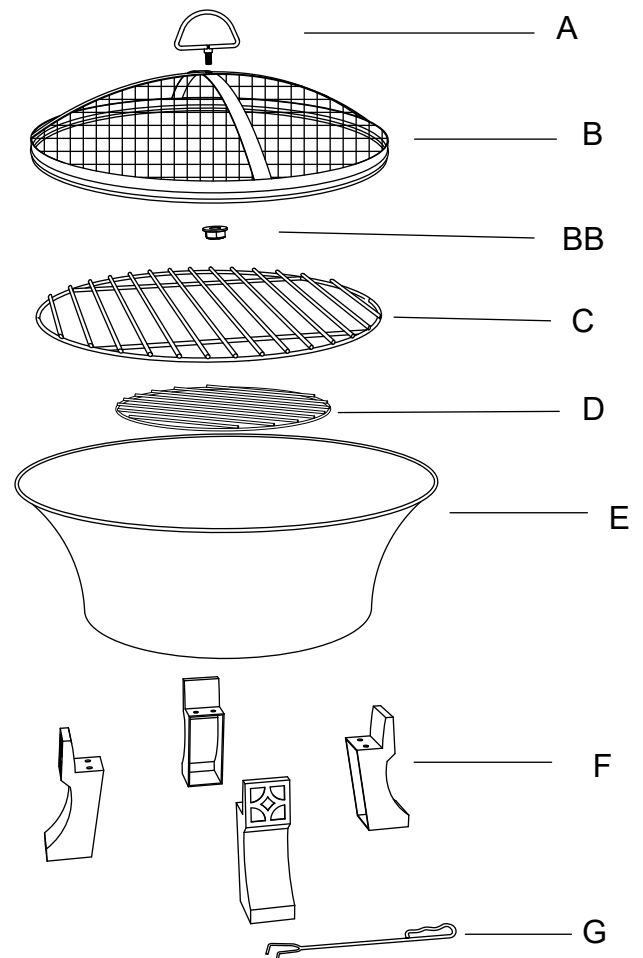
PLEASE READ AND UNDERSTAND THIS ENTIRE MANUAL BEFORE ATTEMPTING TO ASSEMBLE, OPERATE OR INSTALL THE PRODUCT.

### WARNINGS:

- This fire bowl is intended for outdoor use only. Do not use on wooden decks.
- This fire bowl is intended to burn wood logs only. Do not burn coal, leaves, or other combustible materials in the fire bowl.
- Not for use by children. Keep children and pets away from the fire bowl.
- The fire bowl is hot. Use with caution. Do not touch the hot fire bowl with bare hands.
- Never leave the burning fire bowl unattended, and always extinguish the fire completely before leaving the fire bowl.
- Do not use near flammable or combustible objects or materials.
- When the fire bowl is in use, the handle on the mesh screen can reach extreme temperatures that can cause serious injury to an unprotected hand. Use a poker or an appropriate heat resistant glove or pad when handling.
- Check local fire regulations and municipal by-laws for safe use.
- Some parts may contain sharp edges—especially as noted in the manual. Wear protective gloves if necessary.

## FIRE PIT PARTS LIST

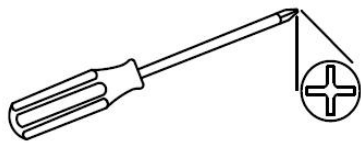
No.	Parts No.	Parts	Qty
A	YY-Handle	Handle	1
B	FT-1107C-B	Mesh Cover	1
C	FT-1107C-C	Cooking Grill	1
D	FT-1107C-D	Wood Grate	1
E	FT-1107C-E	Fire Bowl	1
F	FT-1107C-F	Legs	4
G	YY-Poker	Poker	1



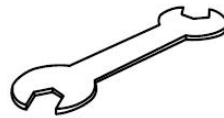
## HARDWARE LIST

No.	Parts No.	Hardware	Qty
AA	YY-B618	M6x18Bolt	8
BB	YY-N6	M6 Nut	1

## Assembly Procedures:



Phillips  
screwdriver

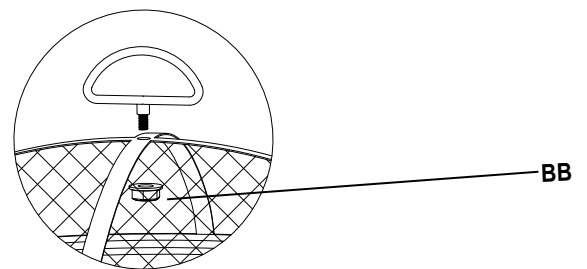
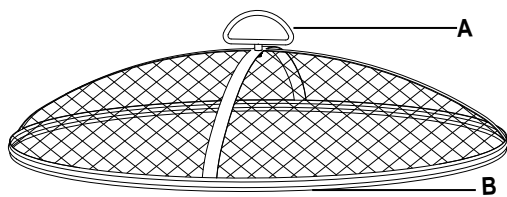


M6 Wrench

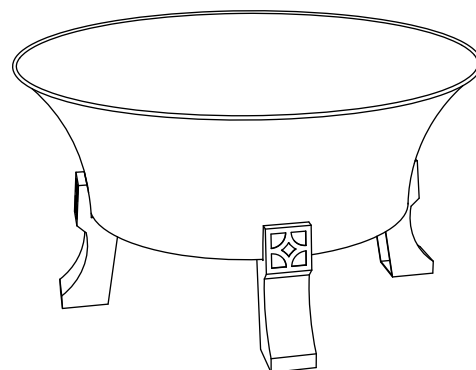
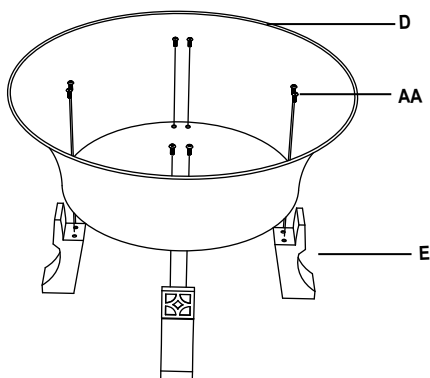
### TOOLS REQUIRED (Not included)

### Step By Step Assembly Instructions:

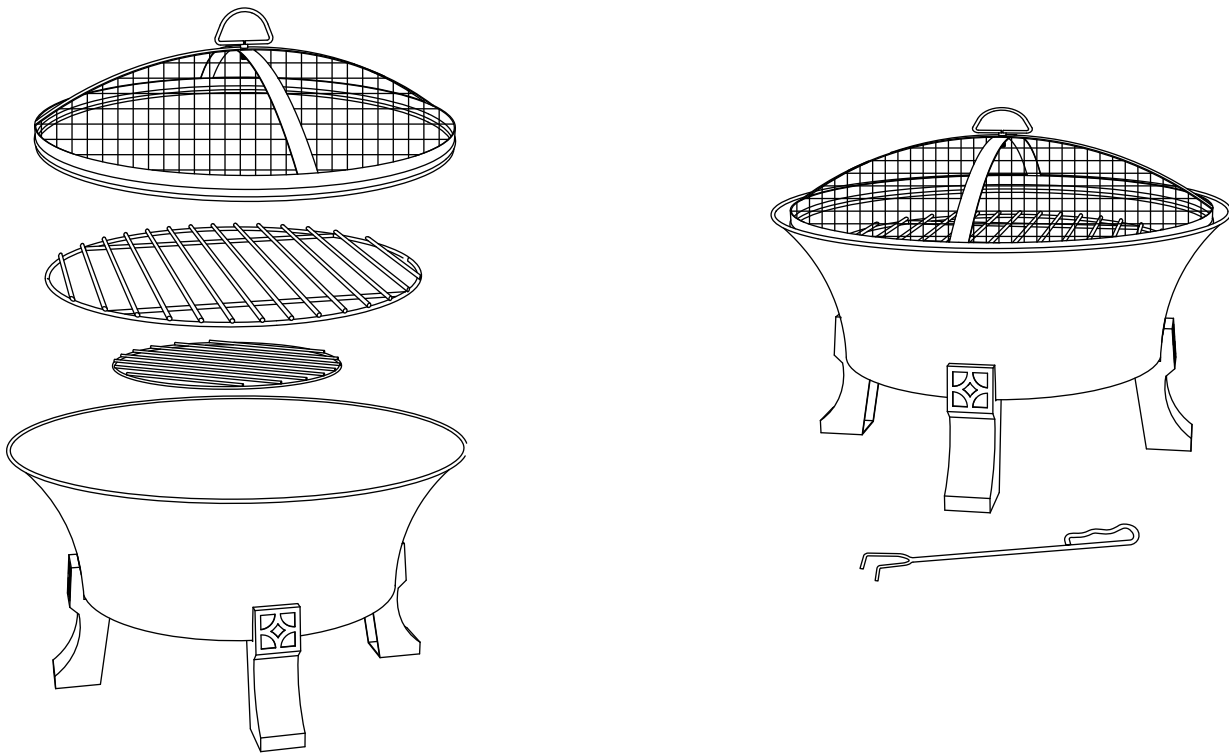
- Step1: Insert the handle(A) into the hole on the top of the mesh cover (B).  
Attach the handle (A)to the mesh cover (B) using a nut(BB),Securely tighten with an M6 wrench (not included)



- Step 2: Attach the Legs (E) to the Fire bowl (D) by using 8pcs M6 x 18 mm bolts (AA).  
Note: Tighten all the bolts.



Step 3: Placed the cooking grill(C) , wood grate (D) ,mesh cover in the fire bowl.  
Now,enjoy your fire pit.



#### Lighting Instructions:

**CAUTION:** Do NOT add gasoline, kerosene, diesel fuel, lighter fluid or alcohol to relight or enhance an existing fire.

#### Extinguishing:

1. Allow fire to burn itself out.
2. Do NOT use water to extinguish as this is dangerous and can cause damage to the outdoor fire pit.



#### Care and Cleaning:

- Do not attempt to clean the fire pit until the fire is completely out and cooled completely.
- Use a soft cloth to wipe the fire pit and poker.
- Do not attempt to clean while hot.



#### Storage:

- Do not attempt to move the fire pit while it is hot or in use.
- Store assembled in a cool, dry location away from children and pets.
- Keep the fire pit covered when cooled and not in use

---

---

# WARRANTY

---

---

## KEEP THIS WARRANTY

Model \_\_\_\_\_

Serial No. \_\_\_\_\_

Date Purchased \_\_\_\_\_

Keep receipt for warranty verification.

## REGISTER YOUR PRODUCT AT [WWW.BLUEGRASSLIVING.COM](http://WWW.BLUEGRASSLIVING.COM) BLUEGRASS LIVING LIMITED WARRANTIES

### New Products

**Standard Warranty:** Bluegrass Living warrants this new product and any parts thereof to be free from defects in material and workmanship for a period of one (1) year from the date of first purchase from an authorized dealer provided the product has been installed, maintained and operated in accordance with Bluegrass Living's warnings and instructions.

For products purchased for commercial, industrial or rental usage, this warranty is limited to 90 days from the date of first purchase.

### Factory Reconditioned Products

**Limited Warranty:** Bluegrass Living warrants factory reconditioned products and any parts thereof to be free from defects in material and workmanship for a period 30 days from the date of first purchase from an authorized dealer provided the product has been installed, maintained and operated in accordance with Bluegrass Living's warnings and instructions. No return will be authorized. Parts will be provided to repair the product.

### Terms Common to All Warranties

The following terms apply to all of the above warranties:

Always specify model number and serial number when contacting the manufacturer. To make a claim under this warranty, the bill of sale or other proof of purchase must be presented.

This warranty is extended only to the original retail purchaser when purchased from an authorized dealer, and only when installed by a qualified installer in accordance with all local codes and instructions furnished with this product.

This warranty covers the cost of part(s) required to restore this product to proper operating condition and an allowance for labor when provided by a Bluegrass Living Authorized Service Center or a provider approved by Bluegrass Living. Warranty parts must be obtained through authorized dealers of this product and/or Bluegrass Living who will provide original factory replacement parts. Failure to use original factory replacement parts will void this warranty.

Traveling, handling, transportation, diagnostic, material, labor and incidental costs associated with warranty repairs, unless expressly covered by this warranty, are not reimbursable under this warranty and are the responsibility of the owner.

Excluded from this warranty are products or parts that fail or become damaged due to misuse, accidents, improper installation, lack of proper maintenance, tampering or alteration(s).

This is Bluegrass Living's exclusive warranty, and to the full extent allowed by law; this express warranty excludes any and all other warranties, express or implied, written or verbal and limits the duration of any and all implied warranties, including warranties of merchantability and fitness for a particular purpose to one (1) year on new products and 30 days on factory reconditioned products from the date of first purchase.

Bluegrass Living makes no other warranties regarding this product.

Bluegrass Living's liability is limited to the purchase price of the product and Bluegrass Living shall not be liable for any other damages whatsoever under any circumstances including direct, indirect, incidental, or consequential damages.

Some states do not allow limitations on how long an implied warranty lasts or the exclusion or limitation of incidental or consequential damages, so the above limitation or exclusion may not apply to you.

This warranty gives you specific legal rights, and you may also have other rights which vary from state to state.



Bluegrass Living, Inc.  
2800 Griffin Drive  
Bowling Green, KY 42101  
1-866-762-4050

200558-02  
Rev. A  
06/20

[www.bluegrassliving.com](http://www.bluegrassliving.com)