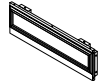




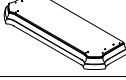







# ASSEMBLY INSTRUCTIONS

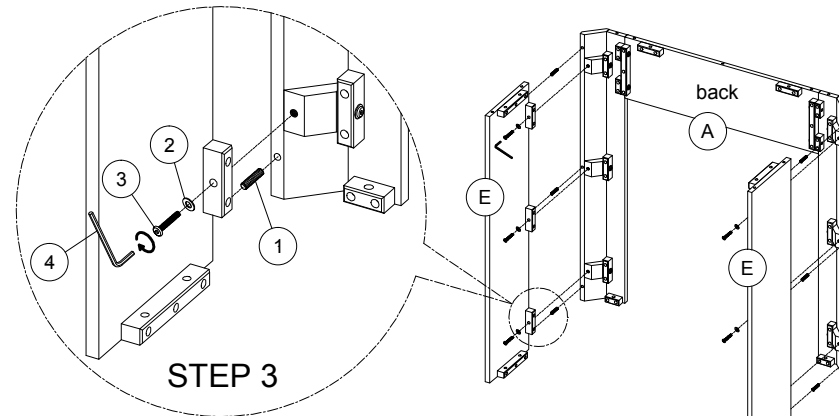
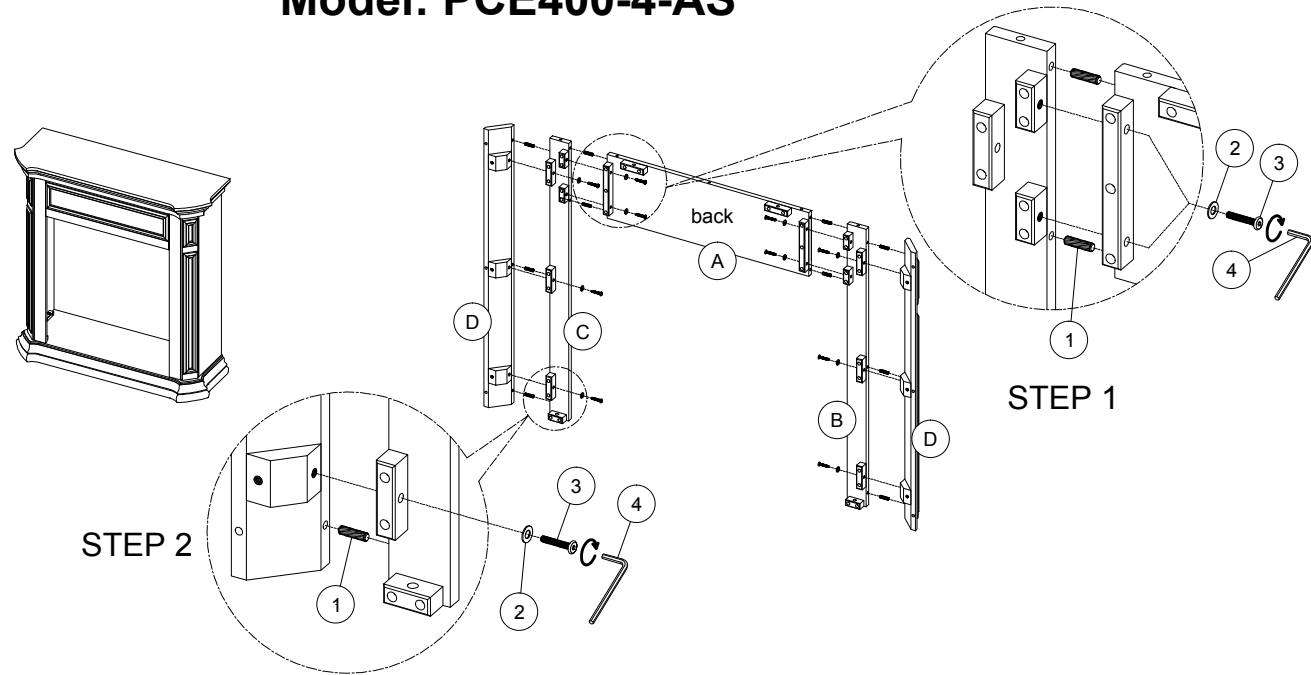
Model: PCE400-4-AS

## COMPONENT LIST

| No. | Drawing   | Description             | Q'TY |
|-----|---|-------------------------|------|
| A   |    | FRONT PANEL             | 1PC  |
| B   |    | LEFT FRONT PANEL        | 1PC  |
| C   |    | RIGHT FRONT PANEL       | 1PC  |
| D   |    | LEFT & RIGHT SIDE POST  | 2PCS |
| E   |    | LEFT & RIGHT SIDE PANEL | 2PCS |
| F   |   | BOTTOM PANEL            | 1PC  |
| G   |  | TOP PANEL               | 1PC  |

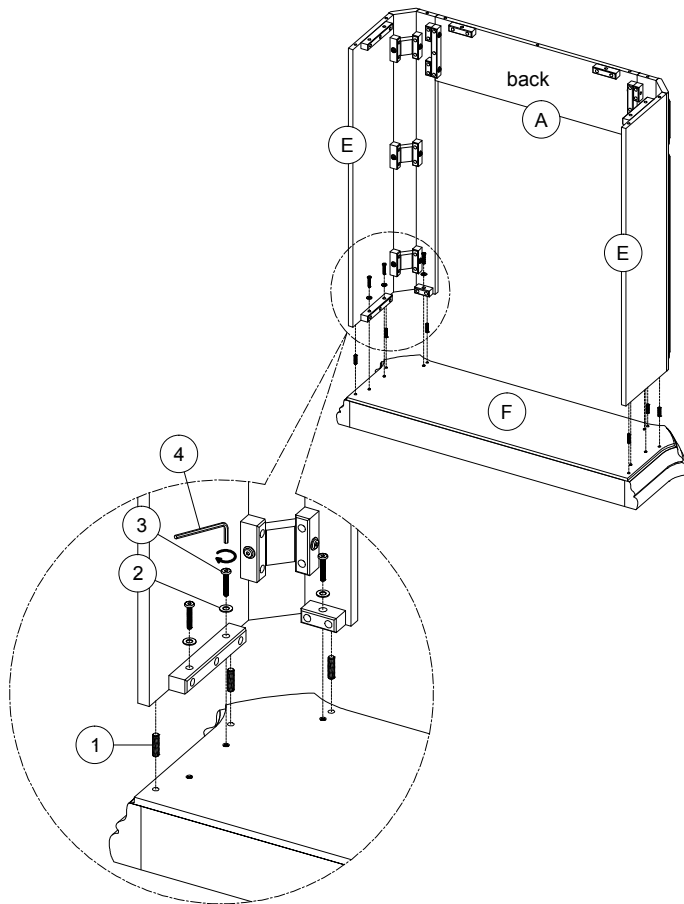
## HARDWARE LIST

|   |   |                              |       |
|---|---|------------------------------|-------|
| 1 |  | Wood Dowel<br>Ø8 x 30 mm     | 31PCS |
| 2 |  | Flat Washer<br>8 x 16 x 1 mm | 28PCS |
| 3 |  | Allen Bolt<br>1/4" x 32mm    | 28PCS |
| 4 |  | Allen Wrench<br>4 mm         | 1PC   |

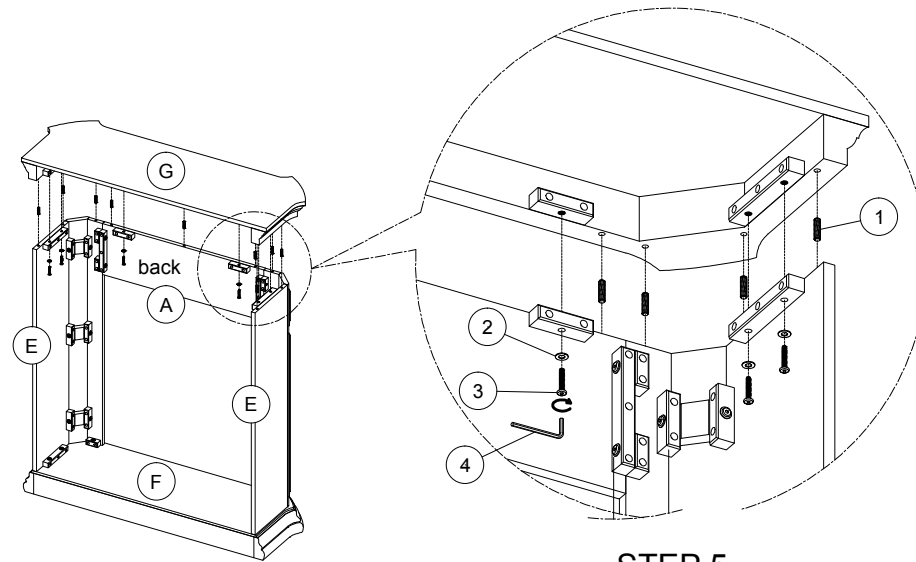


# ASSEMBLY INSTRUCTIONS

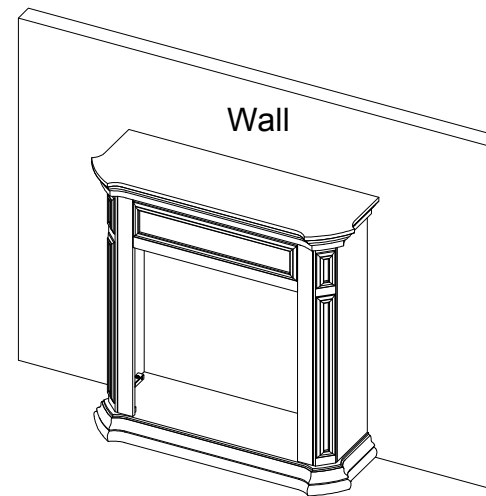
Model: PCE400-4-AS



STEP 4



STEP 5



Finish