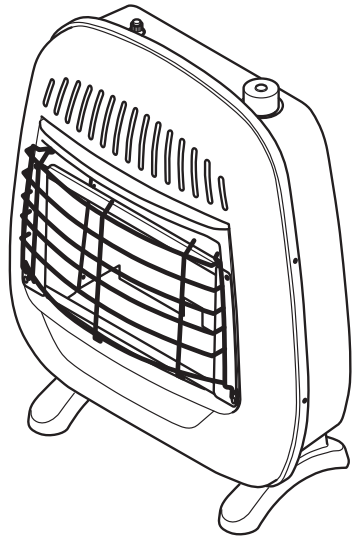




**VENT-FREE GAS WALL HEATER
OWNER'S OPERATION AND
INSTALLATION MANUAL**

**BLUE FLAME MODELS
MD100TBF AND MD200TBF**



US



2 Gas Options™
Liquid Propane or Natural Gas

⚠ WARNING: If the information in this manual is not followed exactly, a fire or explosion may result causing property damage, personal injury or loss of life.

- Do not store or use gasoline or other flammable vapors and liquids in the vicinity of this or any other appliance.
- **WHAT TO DO IF YOU SMELL GAS**
 - Do not try to light any appliance.
 - Do not touch any electrical switch; do not use any phone in your building.
 - Immediately call your gas supplier from a neighbor's phone. Follow the gas supplier's instructions.
 - If you cannot reach your gas supplier, call the fire department.
- Installation and service must be performed by a qualified installer, service agency or the gas supplier.

⚠ WARNING: This appliance is equipped for Natural and Propane gas. Field conversion is not permitted other than between natural or propane gases.



Questions, problems, missing parts? Before returning to your retailer, call our customer service department at 1-866-573-0674, 8:00 am - 4:30 pm CST, Monday through Friday or email customerservice@usaprocom.com


TABLE OF CONTENTS

Safety	3	Operation.....	18
Specifications	4	Inspecting Burners.....	21
Qualified Installing Agency	5	Care And Maintenance.....	22
Product Features.....	5	Troubleshooting.....	23
Local Codes.....	5	Parts	26
Preparing For Installation	6	Replacement Parts.....	30
Unpacking.....	6	Accessories	30
Water Vapor: A By-Product Of		Service Hints	31
Unvented Room Heaters.....	6	Technical Service.....	31
Air For Combustion and Ventilation.....	7	Warranty	32
Installation	10		

SAVE THIS BOOK

INSTALLER: Leave this manual with the appliance.
CONSUMER: Retain this manual for future reference.

This is an unvented gas-fired heater. It uses air (oxygen) from the room in which it is installed. Provisions for adequate combustion and ventilation air must be provided. Refer to *Air For Combustion and Ventilation* section on page 7 of this manual.

 **WARNING: Improper installation, adjustment, alteration, service or maintenance can cause injury or property damage. Refer to this manual for correct installation and operational procedures. For assistance or additional information consult a qualified installer, service agency or the gas supplier.**

This appliance may be installed in an aftermarket,* permanently located, manufactured (mobile) home, where not prohibited by local codes.

This appliance is only for use with propane or natural gas. This appliance is equipped with a simple means to switch between propane and natural gas. Field conversion by any other means including the use of a kit is not permitted.

* Aftermarket: Completion of sale, not for purpose of resale, from the manufacturer.

SAFETY

IMPORTANT: Read this owner's manual carefully and completely before trying to assemble, operate, or service this heater. Improper use of this heater can cause serious injury or death from burns, fire, explosion, electrical shock and carbon monoxide poisoning.

Only a qualified installer, service agent, or local gas supplier may install and service this product.

⚠ WARNING: Keep the appliance area clear and free from combustible materials, gasoline, and other flammable vapors and liquids.

⚠ WARNING: This appliance can be used with propane or natural gas. It is shipped from the factory adjusted for use with propane.

This appliance is only for use with the type of gas indicated on the rating plate. This appliance is not convertible for use with other gases.

Carbon Monoxide Poisoning: Early signs of carbon monoxide poisoning resemble the flu, with headaches, dizziness or nausea. If you have these signs, the heater may not be working properly. Get fresh air at once! Have heater serviced. Some people are more affected by carbon monoxide than others. These include pregnant women, people with heart or lung disease or anemia, those under the influence of alcohol and those at high altitudes.

Natural And Propane/LP Gas: Natural and Propane/LP gas are odorless. An odor-making agent is added to the gas. The odor helps you detect a gas leak. However, the odor added to the gas can fade. Gas may be present even though no odor exists.

⚠ WARNING: Any change to this heater or its controls can be dangerous.

⚠ WARNING: Do not use any accessories not approved for use with this heater.

⚠ WARNING: Carefully supervise young children when they are in the room with the heater.

⚠ WARNING: Make sure grill guard is in place before running heater.

⚠ WARNING: Due to high temperatures, the appliance should be located out of traffic and away from furniture and draperies.

⚠ WARNING: Heater becomes very hot when running. Keep children and adults away from hot surfaces to avoid burns or clothing ignition. Heater will remain hot for a time after shutoff. Allow surfaces to cool before touching.

⚠ WARNING: Do not place clothing or other flammable material on or near the appliance. Never place any objects in the heater.

SAFETY

1. Do not place Propane/LP supply tank(s) inside any structure. Propane/LP supply tank(s) must be placed outdoors.
2. Do not install model MD100TBF in a bathroom. Do not install model MD200TBF in a bedroom or a bathroom.
3. This heater needs fresh air ventilation to run properly. This heater has an Oxygen Depletion Sensing (ODS) safety shutoff system. The ODS shuts down the heater if not enough fresh air is available. See *Air for Combustion and Ventilation*, pages 7 through 9. If heater keeps shutting off, see *Troubleshooting*, page 23.
4. Keep all air openings in front and bottom of heater clear and free of debris. This will ensure enough air for proper combustion.
5. If heater shuts off, do not relight until you have provided fresh, outside air. If heater keeps shutting off, have it serviced.
6. Do not run heater:
 - Where flammable liquids or vapors are used or stored.
 - Under dusty conditions.
7. Before using furniture polish, wax, carpet cleaner, or similar products, turn heater off. If heated, the vapors from these products may create a white powder residue within burner box or on adjacent walls or furniture.
8. Always run heater with control knob at 1,2,3,4,5 locked positions. Never set control knob between locked positions. Poor combustion and higher levels of carbon monoxide may result.
9. Do not use heater if any part has been under water. Immediately call a qualified service technician to inspect the room heater and to replace any part of the control system and any gas control which has been under water.
10. Turn off and unplug heater and let cool before servicing. Only a qualified service person should service and repair heater.
11. Operating heater above elevations of 4,500 feet could cause pilot outage.
12. To prevent performance problems, do not use propane/LP fuel tank of less than 100 lbs. capacity.

SPECIFICATIONS

MODEL	MD100TBF	MD200TBF
BTU (available)	10,000	20,000
Gas Type	Using Natural Gas	Using Natural Gas
Pressure Regulator Setting	4" W.C.	4" W.C.
Inlet Gas Pressure* (inches of water)	Maximum 10.5"	Maximum 10.5"
	Minimum 5"	Minimum 5"
Gas Type	Using Propane Gas	Using Propane Gas
Pressure Regulator Setting	9" W.C.	9" W.C.
Inlet Gas Pressure* (inches of water)	Maximum 14"	Maximum 14"
	Minimum 11"	Minimum 11"
Ignition	Electric Piezo	Electric Piezo
Heater Dimensions (HxWxD)	22.3" x 17.32" x 9.62"	26.8" x 21" x 9.2"
Carton Dimensions (HxWxD)	22.83" x 18.31" x 9.84"	26.69" x 21.97" x 9.76"
Heater Weight	16.3 lbs.	22.8 lbs.
Shipping Weight	19.7 lbs.	27.2 lbs.

* For purposes of input adjustment.

QUALIFIED INSTALLING AGENCY

Only a qualified agency should install and replace gas piping, gas utilization equipment or accessories, and repair and equipment servicing. The term “qualified agency” means any individual, firm, corporation, or company that either in person or through a representative is engaged in and is responsible for:

- a) Installing, testing, or replacing gas piping or
- b) Connecting, installing, testing, repairing, or servicing equipment; that is experienced in such work; that is familiar with all precautions required; and that has complied with all the requirement of the authority having jurisdiction.

PRODUCT FEATURES

SAFETY PILOT

This heater has a pilot with an Oxygen Depletion Sensing (ODS) safety shutoff system. The ODS/pilot shuts off the heater if there is not enough fresh air.

PIEZO IGNITION SYSTEM

This heater is equipped with an electronic piezo control system. This system requires AAA batteries (provided).

THERMOSTATIC CONTROL

The control automatically cycles the burner on and off to maintain a desired room temperature.

2 GAS OPTIONS AVAILABLE

Your heater is equipped to operate on either Propane/LP or Natural gas. The heater is shipped from the factory ready for connecting to Propane/LP. The heater can easily be changed to Natural gas by having your qualified installer follow the instructions on page 14 and the markings on the heater.

LOCAL CODES

Install and use heater with care. Follow all local codes. In the absence of local codes, use the latest edition of *The National Fuel Gas Code, ANSI Z223.1/NFPA 54**.

*Available from:

American National Standards Institute, Inc.
1430 Broadway
New York, NY 10018
National Fire Protection Association, Inc.
1 Batterymarch Park
Quincy, MA 02269-9101

State of Massachusetts: The installation must be made by a licensed plumber or gas fitter in the Commonwealth of Massachusetts.

Sellers of unvented propane or natural gas-fired supplemental room heaters shall provide to each purchaser a copy of 527 CMR 30 upon sale of the unit.

In the State of Massachusetts the gas cock must be a T-handle type. The State of Massachusetts requires that a flexible appliance connector cannot exceed three feet in length.

PREPARING FOR INSTALLATION

Before beginning assembly or operation of the product, make sure all parts are present. Compare parts with package contents list. If any part is missing or damaged, do not attempt to assemble, install or operate the product. Contact customer service for replacement parts.

UNPACKING

1. Remove heater from carton.
2. Remove all protective packaging applied to heater for shipping
3. Check heater for any shipping damage. If heater is damaged, promptly inform dealer where you bought heater.

WATER VAPOR: A BY-PRODUCT OF UNVENTED ROOM HEATERS

Water vapor is a by-product of gas combustion. An unvented room heater produces approximately one (1) ounce (30 mL) of water for every 1,000 BTUs (0.3 KWs) of gas input per hour. Unvented room heaters are recommended as supplemental heat (a room) rather than a primary heat source (an entire house). In most supplemental heat applications, the water vapor does not create a problem. In most applications, the water vapor enhances the low humidity atmosphere experienced during cold weather.

The following steps will help ensure that water vapor does not become a problem.

1. Be sure the heater is sized properly for the application, including ample combustion air and circulation air.
2. If high humidity is experienced, a dehumidifier may be used to help lower the water vapor content of the air.
3. Do not use an unvented room heater as the primary heat source.

AIR FOR COMBUSTION AND VENTILATION

⚠ WARNING: This heater shall not be installed in a confined space or unusually tight construction unless provisions are provided for adequate combustion and ventilation air. Read the following instructions to insure proper fresh air for this and other fuel-burning appliances in your home.

Today's homes are built more energy efficient than ever. New materials, increased insulation and new construction methods help reduce

heat loss in homes. Home owners weather strip and caulk around windows and doors to keep the cold air out and the warm air in. During heating months, home owners want their homes as airtight as possible.

While it is good to make your home energy efficient, your home needs to breathe. Fresh air must enter your home. All fuel-burning appliances need fresh air for proper combustion and ventilation.

Exhaust fans, fireplaces, clothes dryers and fuel burning appliances draw air from the house to operate. You must provide adequate fresh air for these appliances. This will insure proper venting of vented fuel-burning appliances.

PROVIDING ADEQUATE VENTILATION

The following are excerpts from *National Fuel Gas Code, ANSI Z223.1/NFPA 54, Air for Combustion and Ventilation*.

All spaces in homes fall into one of the three following ventilation classifications:

1. Unusually Tight Construction
2. Unconfined Space
3. Confined Space

The information on pages 8 through 10 will help you classify your space and provide adequate ventilation.

Unusually Tight Construction

The air that leaks around doors and windows may provide enough fresh air for combustion and ventilation. However, in buildings of unusually tight construction, you must provide additional fresh air. Unusually tight construction is defined as construction where:

- a. walls and ceilings exposed to the outside atmosphere have a continuous water vapor retarder with a rating of one perm (6×10^{-11} kg per pa-sec- m^2) or less with openings gasketed or sealed and
- b. weather stripping has been added on openable windows and doors and

- c. caulking or sealants are applied to areas such as joints around window and door frames, between sole plates and floors, between wall-ceiling joints, between wall panels, at penetrations for plumbing, electrical and gas lines and at other openings.

If your home meets all of these three criteria, you must provide additional fresh air. See [*Ventilation Air From Outdoors*](#), page 9.

If your home does not meet all of the three criteria above, proceed to [*Determining Fresh-Air Flow For Heater Location*](#), page 8.

Confined and Unconfined Space

The National Fuel Gas Code, ANSI Z223.1/NFPA 54 defines a confined space as a space whose volume is less than 50 cubic feet per 1,000 Btu/hr (4.8 m^3 per kw) of the aggregate input rating of all appliances installed in that space and an unconfined space as a space whose volume is not less than 50 cubic feet per 1,000 Btu/hr (4.8 m^3 per kw) of the aggregate

input rating of all appliances installed in that space. Rooms communicating directly with the space in which the appliances are installed*, through openings not furnished with doors, are considered a part of the unconfined space.

* Adjoining rooms are communicating only if there are doorless passageways or ventilation grills between them.

AIR FOR COMBUSTION AND VENTILATION

DETERMINING FRESH-AIR FLOW FOR HEATER LOCATION

Determining if You Have a Confined or Unconfined Space

Use this work sheet to determine if you have a confined or unconfined space.

Space: Includes the room in which you will install heater plus any adjoining rooms with doorless passageways or ventilation grills between the rooms.

1. Determine the volume of the space (length x width x height).

Length x Width x Height = _____
cu. ft. (volume of space)

Example: Space size 20 ft. (6.1 m) (length) x 16 ft. (4.88 m) (width) x 8 ft. (2.44 m) (ceiling height) = 2560 cu. ft. (72.49 m³) (volume of space)

If additional ventilation to adjoining room is supplied with grills or openings, add the volume of these rooms to the total volume of the space.

2. Multiply the space volume by 20 to determine the maximum Btu/Hr the space can support.

_____(volume of space) x 20 =
(Maximum Btu/Hr the space can support)

Example: 2560 cu. ft. (72.49 m³) (volume of space) x 20 = 51,200 (maximum Btu/Hr the space can support)

3. Add the Btu/Hr of all fuel burning appliances in the space.

Vent-free heater	_____	Btu/Hr
Gas water heater*	_____	Btu/Hr
Gas furnace	_____	Btu/Hr
Vented gas heater	_____	Btu/Hr
Gas fireplace logs	_____	Btu/Hr
Other gas appliances*+	_____	Btu/Hr
Total	= _____	Btu/Hr

* Do not include direct-vent gas appliances. Direct-vent draws combustion air from the outdoors and vents to the outdoors.

Example:

Gas water heater	_____	Btu/Hr
Vent-free heater	+ _____	Btu/Hr
Total	= _____	Btu/Hr

4. Compare the maximum Btu/Hr the space can support with the actual amount of Btu/Hr used.

_____ Btu/Hr (maximum can support)
_____ Btu/Hr (actual amount used)

Example: 51,200 Btu/Hr (maximum the space can support)
56,000 Btu/Hr (actual amount of Btu/Hr used)

The space in the above example is a confined space because the actual Btu/Hr used is more than the maximum Btu/Hr the space can support. You must provide additional fresh air. Your options are as follows:

- A. Rework worksheet, adding the space of an adjoining room. If the extra space provides an unconfined space, remove door to adjoining room or add ventilation grills between rooms. See [Ventilation Air From Inside Building](#), page 9.
- B. Vent room directly to the outdoors. See [Ventilation Air From Outdoors](#), page 9.
- C. Install a lower Btu/Hr heater, if lower Btu/Hr size makes room unconfined. If the actual Btu/Hr used is less than the maximum Btu/Hr the space can support, the space is an unconfined space. You will need no additional fresh air ventilation.

AIR FOR COMBUSTION AND VENTILATION

⚠ WARNING: If the area in which the heater may be operated is smaller than that defined as an unconfined space or if the building is of unusually tight construction, provide adequate combustion and ventilation air by one of the methods described in the *National Fuel Gas Code, ANSI Z223.1/NFPA 54*, the *International Fuel Gas Code*, or applicable local codes.

VENTILATION AIR

Ventilation Air From Inside Building

This fresh air would come from an adjoining unconfined space. When ventilating to an adjoining unconfined space, you must provide two permanent openings: one within 12" of the ceiling and one within 12" of the floor on the wall connecting the two spaces (see options

1 and 2, Figure 1). You can also remove door into adjoining room (see option 3, Figure 1). Follow the *National Fuel Gas Code, ANSI Z223.1/NFPA 54, Air for Combustion and Ventilation* for required size of ventilation grills or ducts.

Ventilation Air From Outdoors

Provide extra fresh air by using ventilation grills or ducts. You must provide two permanent openings: one within 12" of the ceiling and one within 12" of the floor. Connect these items directly to the outdoors or spaces open to the outdoors. These spaces include attics and crawl spaces. Follow the *National Fuel Gas Code, ANSI Z223.1/NFPA 54, Air for Combustion and Ventilation* for required size of ventilation grills or ducts.

IMPORTANT: Do not provide openings for inlet or outlet air into attic if attic has a thermostat-controlled power vent. Heated air entering the attic will activate the power vent. Rework worksheet, adding the space of the adjoining unconfined space. The combined spaces must have enough fresh air to supply all appliances in both spaces.

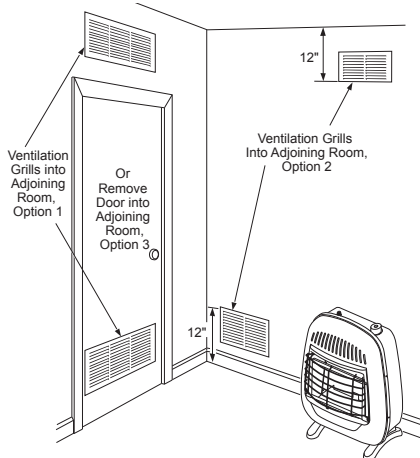


Figure 1 - Ventilation Air from Inside Building

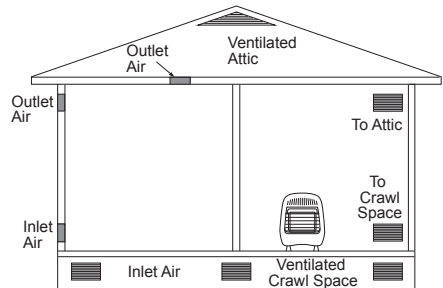


Figure 2 - Ventilation Air from Outdoors

INSTALLATION

NOTICE: This heater is intended for use as supplemental heat. Use this heater along with your primary heating system. Do not install this heater as your primary heat source. If you have a central heating system, you may run system's circulating blower while using heater. This will help circulate the heat throughout the house. In the event of a power outage, you can use this heater as your primary heat source.

⚠ WARNING: A qualified service person must install heater. Follow all local codes.

⚠ WARNING: Never install the heater

- in a bathroom (model MD100TBF)
- in a bedroom or bathroom (model MD200TBF)
- in a recreational vehicle
- where curtains, furniture, clothing, or other flammable objects are less than 36" from the front, top, or sides of the heater
- in high traffic areas
- in windy or drafty areas

⚠ CAUTION: This heater creates warm air currents. These currents move heat to wall surfaces next to heater. Installing heater next to vinyl or cloth wall coverings or operating heater where impurities (such as tobacco smoke, aromatic candles, cleaning fluids, oil or kerosene lamps, etc.) in the air exist, may cause walls to discolor.

IMPORTANT: Vent-free heaters add moisture to the air. Although this is beneficial, installing heater in rooms without enough ventilation air may cause mildew to form too much moisture. See *Air for Combustion and Ventilation*, pages 7 through 9.

CHECK GAS TYPE

Be sure your gas supply is right for your heater. Otherwise, call dealer where you bought the heater for proper type heater.

CLEARANCES TO COMBUSTIBLES

Carefully follow the instructions below. This heater is a wall mount unit designed to sit on the floor or on a mantel base.

⚠ WARNING: Maintain the minimum clearances shown in Figure 3. If you can, provide greater clearances from floor, ceiling, and joining wall.

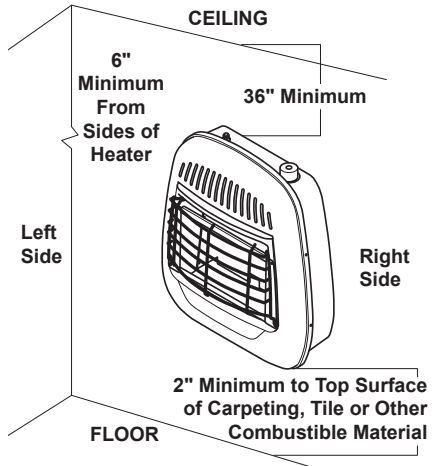


Figure 3 - Mounting Clearances as Viewed From Front of Heater

INSTALLATION

LOCATING HEATER

This heater is designed to be mounted on a wall. For convenience and efficiency, install heater:

1. Where there is easy access for operation, inspection, and service.
2. In the coldest part of room.

INSTALLING THERMOSTAT SENSING BULB (OPTIONAL)

1. Pull out the sensing bulb from the two clips located in the shipping position. There is no need to take out the two bulb clips.
2. Take out the bulb clip from the hardware package and insert it into the square hole. Then insert the sensing bulb into the bulb clip (see Figure 4).

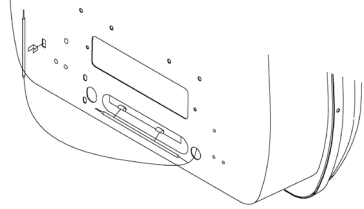


Figure 4 - Moving Thermostat Sensing Bulb

FASTENING HEATER TO WALL

Mounting Bracket

The mounting bracket is located on back panel of heater (see Figure 5). It has been taped there for shipping. Remove mounting bracket from back panel.

Mounting Bracket

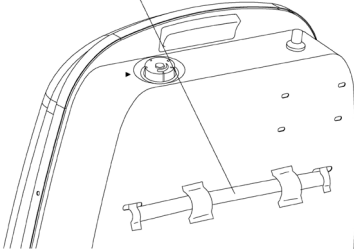


Figure 5 - Mounting Bracket Location

Methods For Attaching Mounting Bracket To Wall

Use only the last hole on each end of mounting bracket to attach bracket to wall. Attach mounting bracket to a wall only in one of two ways:

1. **Attaching to wall stud:** This method provides the strongest hold. Insert mounting screws through mounting bracket and into wall studs.
2. **Attaching to wall anchor:** This method allows you to attach mounting bracket to hollow walls (wall areas between studs) or to solid walls (concrete or masonry).

Decide which method better suits your needs. Either method will provide a secure hold for the mounting bracket.

Marking Screw Locations

1. Tape mounting bracket to wall where heater will be located. Make sure mounting bracket is level.

⚠ WARNING: Maintain minimum clearances shown in Figure 3, page 10. If you can, provide greater clearances from floor and joining wall.

INSTALLATION

2. Mark screw locations on wall (see Figure 6).

Note: Mark only last hole on each end of mounting bracket. Insert mounting screws through these holes only.

3. Remove tape and mounting bracket from wall.

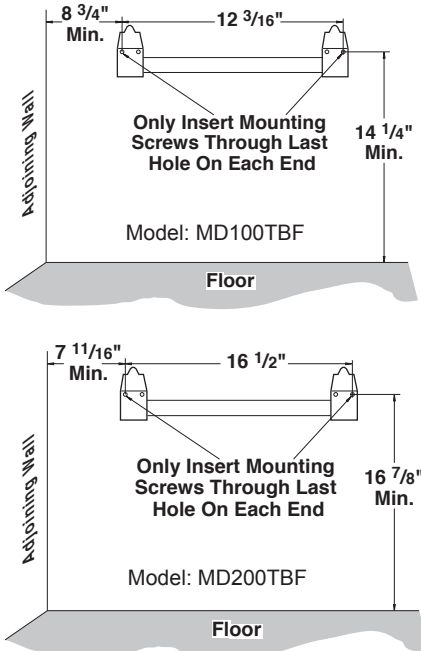


Figure 6 - Mounting Bracket Clearances

Attaching Mounting Bracket To Wall

Note: Wall anchors, mounting screws, and spacers are in hardware package. The hardware package is provided with heater.

Attaching to Wall Stud Method

For attaching mounting bracket to wall studs:

1. Drill holes at marked locations using 9/64" drill bit.
2. Place mounting bracket onto wall. Line up last hole on each end of bracket with holes drilled in wall.
3. Insert mounting screws through bracket and into wall studs.
4. Tighten screws until mounting bracket is firmly fastened to wall studs.

Attaching to Wall Anchor Method

For attaching mounting bracket to hollow walls (wall areas between studs) or solid walls (concrete or masonry):

1. Drill holes at marked locations using 5/16" drill bit. For solid walls (concrete or masonry), drill at least 1" deep.
2. Fold wall anchor as shown in Figure 7.
3. Insert wall anchor (wings first) into hole. Tap anchor flush to wall.
4. For thin walls (1/2" or less), insert red key into wall anchor. Push red key to "pop" open anchor wings (see Figure 8).

IMPORTANT: Do not hammer anchor key! For thick walls (over 1/2" thick) or solid walls, do not pop open wings.

5. Place mounting bracket onto wall. Line up last hole on each end of bracket with wall anchors.
6. Insert mounting screws through bracket and into wall anchors.
7. Tighten screws until mounting bracket is firmly fastened to wall.

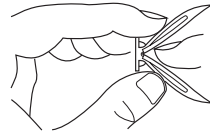


Figure 7 - Folding Anchor

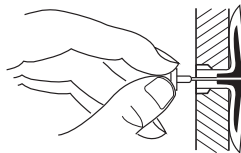


Figure 8 - Popping Open Anchor Wings For Thin Walls

INSTALLATION

Placing Heater On Mounting Bracket

1. Locate two horizontal slots on back panel of heater (see Figure 9).
2. Place heater onto mounting bracket. Slide horizontal slots onto stand-out tabs on mounting bracket.

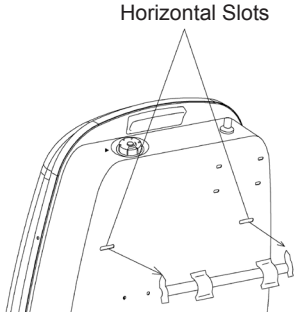


Figure 9 - Mounting Heater Onto Mounting Bracket

Installing Bottom Mounting Bracket

1. Install bottom bracket to heater bottom with two screws. It may be more convenient to remove heater from wall bracket to attach.
2. Place heater on wall mounting bracket.
3. Mark screw locations on wall.
4. Remove heater from mounting bracket.
5. If installing bottom mounting screws into hollow or solid wall, install wall anchors. Follow steps 1 through 4 under *Attaching To Wall Anchor Method*, page 12. If installing bottom mounting screw into wall stud, drill holes at marked locations using 9/64" drill bit.
6. Replace heater onto mounting bracket.
7. Tighten both screws until heater is firmly secured to wall. Do not over tighten.

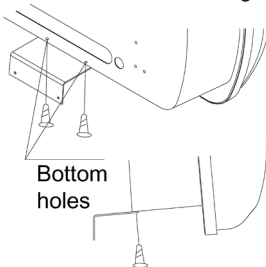


Figure 10 - Installing Bottom Mounting Bracket

INSTALLING BASE FEET

Before installing heater to the base, please make sure you have the following items:

- (2) Base Feet
- (4) Sheet Metal Screws

Installation Procedure:

1. Set back of heater on table with the bottom of heater extending outside the table edge.
2. Fasten base feet to heater using sheet metal screws.

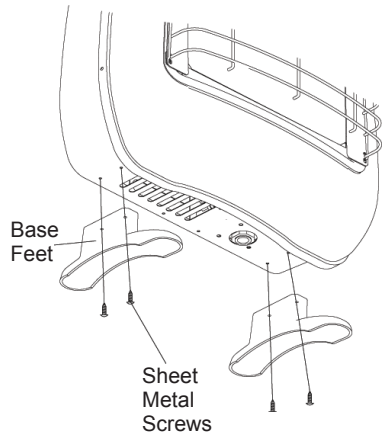


Figure 11 - Installing Base Feet

INSTALLATION

GAS SELECTION

This appliance is factory preset for propane/LP gas. No changes are required for connecting to propane/LP. Only a qualified installer or service technician can perform gas selection and connecting to gas supply.

⚠ CAUTION: Two gas line installations at the same time are prohibited. The access plate to the simple switching means shall not be opened while the heater is in operation.

⚠ CAUTION: To avoid gas leakage at the inlet of regulator, a qualified installer or service technician must use supplied hex plug with sealant.

⚠ WARNING: Do not attempt to access or change the setting of the fuel selection means.

Access to and adjustment of the fuel selection means must only be performed by a qualified service person when connecting this appliance to a specified fuel supply at the time of installation.

Change of the selector setting to other than the fuel type specified at the time of installation could damage this appliance and render it inoperable.

The installer shall replace the access cover before completing the installation and operating this appliance.

For changing from propane to natural gas supply:

1. Remove top screw from cover plate located on back of heater (see Figure 12). Rotate to expose fuel selection device.
2. For NATURAL GAS, press knob using a flat screwdriver with a blade with thickness of a quarter and turn knob clockwise until the knob locks into the NG position (see Figure 12). Fuel selection device must be locked in the NG position. Do not operate heater between locked positions!
3. Rotate and close cover over fuel selection device and reinstall screw.
4. Remove hex plug (with wrench provided) from natural gas inlet of regulator (see Figure 12). Install hex plug into LP inlet of regulator. Install gas line into NG inlet of regulator. Use thread sealant to ensure that there are no leaks.

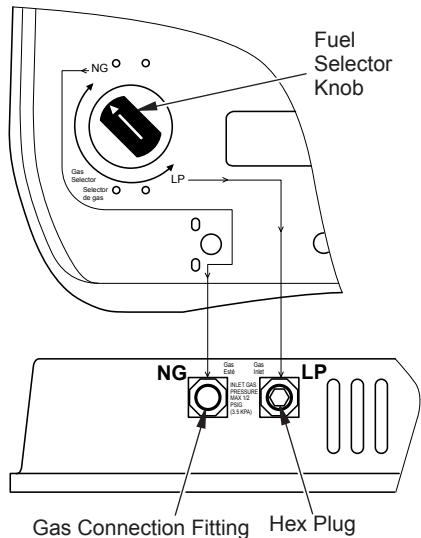


Figure 12 - Settings for Natural Gas Selection

INSTALLATION

For changing from natural gas supply to propane supply:

1. Remove top screw from cover plate located on back of heater (see Figure 13). Rotate to expose fuel selection device.
2. For propane gas, press in knob using a flat screwdriver with a blade the thickness of a quarter and turn knob counterclockwise until the knob locks into the LP position (see Figure 13). Fuel selection device must be locked in the LP position. Do not operate heater between locked positions.
3. Rotate and close cover over fuel selection device and reinstall screw.
4. Remove hex plug (with wrench provided) from propane/LP gas inlet of regulator (see Figure 12). Install hex plug into NG inlet of regulator. Install gas line into propane/LP inlet of regulator. Use thread sealant to ensure that there are no leaks.

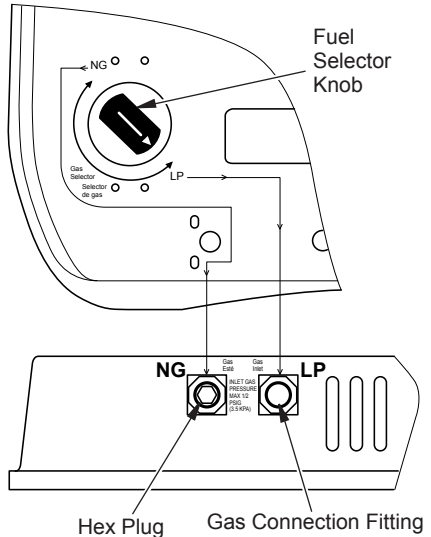


Figure 13 - Settings for Propane/LP Gas Selection

CONNECTING TO GAS SUPPLY

⚠ WARNING: A qualified service technician must connect heater to gas supply. Follow all local codes.

⚠ WARNING: This appliance requires a 3/8" NPT (National Pipe Thread) inlet connection to the pressure regulator.

⚠ WARNING: For natural gas, Never connect heater to private (non-utility) gas wells. This gas is commonly known as wellhead gas.

⚠ WARNING: Do not over-tighten gas connections.

⚠ CAUTION: Use only new, black iron or steel pipe. Internally tinned copper tubing may be used in certain areas. Check your local codes. Use pipe of 1/2" diameter or greater to allow proper gas volume to heater. If pipe is too small, undue loss of pressure will occur.

⚠ CAUTION: For propane/LP gas, never connect heater directly to the gas supply. This heater requires an external regulator (not supplied). Install the external regulator between the heater and gas supply. Gas supplier provides external regulator for natural gas. The installer provides the external regulator for propane/LP gas.

INSTALLATION

⚠ CAUTION: For natural gas, check your gas line pressure before connecting heater to gas line. Gas line pressure must be no greater than 10.5" of water. If gas line pressure is higher, heater regulator damage could occur.

⚠ CAUTION: Avoid damage to regulator. Hold gas regulator with wrench when connecting into gas piping and/or fittings.

⚠ CAUTION: Use pipe joint sealant that is resistant to gas (Propane/LP or Natural Gas).

Before installing heater, make sure you have the items listed below:

- external regulator for propane/LP unit only (supplied by installer)
- piping (check local codes)
- sealant (resistant to natural gas and propane/LP gas)
- equipment shutoff valve*
- test gauge connection*
- sediment trap
- tee joint
- pipe wrench
- flexible gas hose (check local codes)

* A CSA design-certified equipment shutoff

valve with 1/8" NPT tap is an acceptable alternative to test gauge connection. Purchase the optional CSA design certified equipment shutoff valve from your dealer.

Typical Inlet Pipe Diameters

Use 3/8" black iron pipe or greater. Installation must include an equipment shutoff valve, union, and plugged 1/8" NPT tap. Locate NPT tap within reach for test gauge hook up. NPT tap must be upstream from heater (see Figure 14).

IMPORTANT: Install an equipment shutoff valve in an accessible location. The equipment shutoff valve is for turning on or shutting off the gas to the appliance.

Apply pipe joint sealant lightly to male threads. This will prevent excess sealant from going into pipe. Excess sealant in pipe could result in clogged heater valves.

For propane/LP gas, the installer must supply an external regulator. The external regulator will reduce incoming gas pressure. You must reduce incoming gas pressure to between 11" and 14" of water. If you do not reduce incoming gas pressure, heater regulator damage could occur. Install external regulator with the vent pointing down as shown in Figure 15. Pointing the vent down protects it from freezing rain or sleet.

Install sediment trap in supply line as shown in Figure 14. Place sediment trap where it is within reach for cleaning. Place sediment trap where trapped matter is not likely to freeze. A sediment trap traps moisture and contaminants. This keeps them from going into heater controls. If sediment trap is not installed or is installed wrong, heater may not run properly.

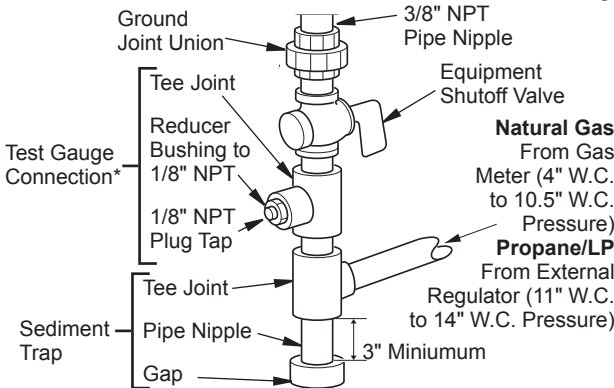


Figure 14 - Gas Connection

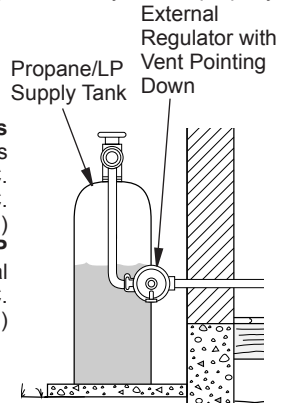


Figure 15 - External Regulator with Vent Pointing Down

* Purchase the optional CSA design-certified equipment shutoff valve from your dealer.

INSTALLATION

CHECKING GAS CONNECTIONS

⚠ WARNING: Test all gas piping and connections for leaks after installing or servicing. Correct all leaks at once.

⚠ WARNING: Never use an open flame to check for a leak. Apply a noncorrosive leak detection fluid to all joints. If bubbles form, there is a leak. Correct all leaks at once.

Pressure Testing Gas Supply Piping System Test Pressures In Excess Of 1/2 PSIG (3.5 kPa)

1. Disconnect heater with its appliance main gas valve (control valve) and equipment shutoff valve from gas supply piping system. Pressures in excess of 1/2 PSIG will damage heater regulator.
2. Cap off open end of gas pipe where equipment shutoff valve was connected.
3. Pressurize supply piping system by either opening propane/LP supply tank valve for propane/LP gas or opening main gas valve located on or near gas meter for natural gas or using compressed air.
4. Check all joints of gas supply piping system. Apply a noncorrosive leak detection fluid to all joints. If bubbles form, there may be a leak.
5. Correct all leaks at once.
6. Reconnect heater and equipment shutoff valve to gas supply. Check reconnected fittings for leaks.

Test Pressures Equal To or Less Than 1/2 PSIG (3.5 kPa)

1. Close equipment shutoff valve (see Figure 16).
2. Pressurize supply piping system by either opening propane/LP supply tank valve for propane/LP gas or opening main gas valve located on or near gas meter for natural gas or using compressed air.
3. Check all joints from gas meter (natural gas installations, see Figure 17) or from propane/LP tank (propane/LP gas installations, see Figure 18) to equipment shutoff valve. Apply a noncorrosive leak detection fluid to all joints. If bubbles form, there is a leak.
4. Correct all leaks at once.

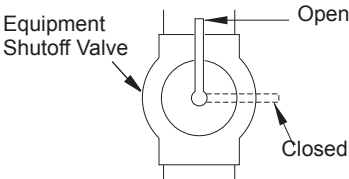


Figure 16 - Equipment Shutoff Valve

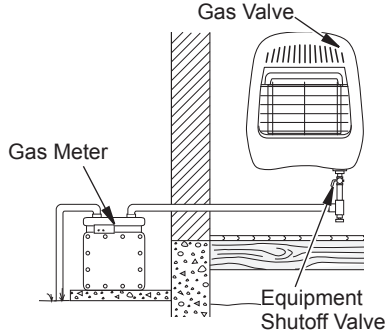


Figure 17 - Natural Gas Supply

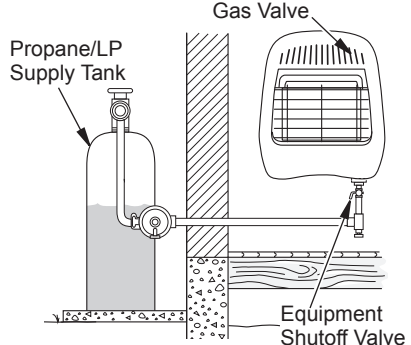


Figure 18 - Propane/LP Fuel Supply

INSTALLATION

PRESSURE TESTING HEATER GAS CONNECTIONS

1. Open equipment shutoff valve (see Figure 16, page 17).
2. For natural gas open main gas valve located on or near gas meter. For propane/LP gas open propane/LP supply tank valve.
3. Make sure control knob of heater is in the OFF position.
4. Check all joints from equipment shutoff valve to control valve (see Figure 17 or 18, page 17). Apply a noncorrosive leak detection fluid to all joints. Bubbles forming show a leak.
5. Correct all leaks at once.
6. Light heater (see *Operation*). Check all other internal joints for leaks.
7. Turn off heater (see *To Turn Off Gas Appliance*, page 19).
8. Replace lower front panel.

OPERATION

FOR YOUR SAFETY READ BEFORE LIGHTING

⚠ WARNING: If you do not follow these instructions exactly, a fire or explosion may result causing property damage, personal injury or loss of life.

- A. This appliance has a pilot which must be lighted by hand. When lighting the pilot, follow these instructions exactly.
- B. BEFORE LIGHTING smell all around the appliance area for gas. Be sure to smell next to the floor because some gas is heavier than air and will settle on the floor.



WHAT TO DO IF YOU SMELL GAS

- Do not try to light any appliance.
- Do not touch any electric switch; do

not use any phone in your building.

- Immediately call your gas supplier from a neighbor's phone. Follow the gas supplier's instructions.
 - If you cannot reach your gas supplier, call the fire department.
- C. Use only your hand to push in or turn the gas control knob. Never use tools. If the knob will not push in or turn by hand, don't try to repair it, call a qualified service technician. Force or attempted repair may result in a fire or explosion.
 - D. Do not use this appliance if any part has been under water. Immediately call a qualified service technician to inspect the appliance and to replace any part of the control system and any gas control which has been under water.

LIGHTING INSTRUCTIONS

1. STOP! Read the safety information above.
2. Unscrew ignitor cap and install a AAA battery with the + pointing out. Replace cap.
3. Make sure equipment shutoff valve is fully open.
4. Turn control knob clockwise  to the OFF position.
5. Wait five (5) minutes to clear out any air. Then smell for gas, including near the floor. If you smell gas, STOP! Follow "B" in the safety information above. If you do not smell gas, go to the next step.
6. Turn control knob counterclockwise  to the PILOT position. Press in control knob for five (5) seconds (see Figure 19).

Note: The first time that the heater is operated after connecting the gas supply, the

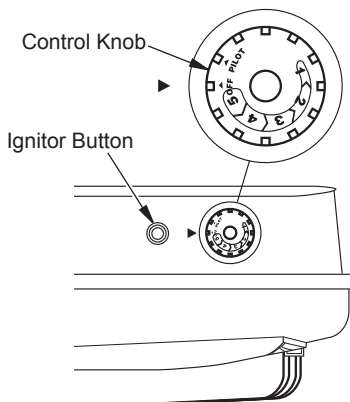


Figure 19 - Control Knob in the OFF Position

OPERATION

control knob should be pressed for about thirty (30) seconds. This will allow air to bleed from the gas system. If pilot does not stay lit, refer to *Troubleshooting*, pages 23 through 25. Also contact a qualified service technician or gas supplier for repairs. Until repairs are made, light pilot with match.

- If control knob does not pop up when released, contact a qualified service technician or gas supplier for repairs.
7. With control knob pressed in, push down and release ignitor button. This will light pilot. The pilot is attached to the front of burner. The pilot can be seen through the grill. If needed, keep pressing ignitor button until pilot lights. *Note: If pilot does not stay lit, refer to Troubleshooting, pages 23 through 25. Also contact a qualified service technician or gas supplier for repairs. Until repairs are made, light pilot with match. To light pilot with match, see Manual Lighting Procedure.*

8. Keep control knob pressed in for 30 seconds after lighting pilot. After 30 seconds, release control knob. If control knob does not pop up when released, contact a qualified service technician or gas supplier for repairs.

Note: If pilot goes out, repeat steps 3 through 7. This heater has a safety interlock system. Wait one (1) minute before lighting pilot again.

9. Turn control knob counterclockwise ↶ to desired heating level. The main burner should light. Set control knob to any heat level between 1 and 5.

⚠ CAUTION: Do not try to adjust heating levels by using the equipment shutoff valve.

⚠ WARNING: If input gas type is NG, make sure NG pilot burner ignites. If input gas type is LP, make sure LP pilot burner ignites.

THERMOSTAT CONTROL OPERATION

The thermostatic control used on this model differs from standard thermostats. Standard thermostats simply turn the burner on and off. The thermostat used on this heater senses the room temperature. At times the room may

exceed the set temperature. If so, the burner will shut off. The burner will cycle back on when room temperature drops below the set temperature. The control knob can be set to any comfort level between 1 and 5.

TO TURN OFF GAS TO APPLIANCE

Shutting Off Heater

Turn control knob clockwise ↷ to the OFF position.

Shutting Off Burner Only (pilot stays lit)

Turn control knob clockwise ↷ to the PILOT position.

MANUAL LIGHTING PROCEDURE

1. Follow steps 1 through 6 under *Lighting Instructions*, page 18.
2. With control knob in PILOT position, strike match, and hold near pilot. Press in control knob; pilot should light.
3. Keep control knob pressed in for 30 seconds after lighting pilot. After 30 seconds, release control knob.

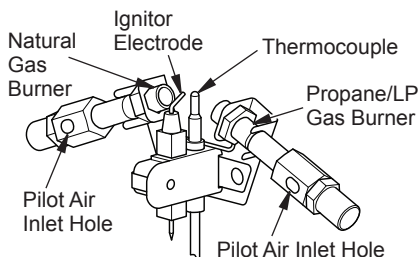



Figure 20 - Pilot Assembly

OPERATION

Battery Instructions

 **CAUTION: Do not mix old and new batteries. Do not mix alkaline, standard (carbon - zinc), or rechargeable (nickel - cadmium) batteries. Do not dispose of batteries in fire, batteries may explode or leak.**

- Batteries are included.
 - Remove batteries when depleted.
 - Install/replace the batteries according to the type and quantity stated in table to the right.
- Do not mix old and new batteries. New batteries should be the same brand for best results.
 - Be sure to observe proper polarity (+/-) when installing or replacing the batteries. Damage due to improper battery installation may void the warranty on the product.
 - For remote control systems, maximize battery life by turning off the receiver when it is not in use.
 - For long periods of non-operation, remove batteries from all components for safety.

FAN OPERATION

Using rocker switch, turn blower on and check for operation. Turn on rocker switch to the desired position. In the **MAN** position it will remain constantly on. **AUTO** position will be controlled by the temperature sensor. To stop the operation turn rocker switch to the **O** position.

INSPECTING BURNERS

IMPORTANT: Owner's should check pilot flame pattern and burner flame pattern often. Incorrect flame patterns indicate the need for cleaning (see Care and Maintenance, page 22) or service.

⚠ WARNING: Only a qualified service person should service and repair heater. This includes maintenance requiring replacement or alteration of components.

PILOT FLAME PATTERN

Figure 21 shows a correct pilot flame pattern. Figure 22 shows an incorrect pilot flame pattern. The incorrect pilot flame is not touching the thermocouple. This will cause the thermocouple to cool, which shuts the heater off. If pilot flame pattern is incorrect, as shown in Figure 22

- turn heater off (see To Turn Off Gas to Appliance, page 19)
- see Troubleshooting pages 23 through 25.

⚠ WARNING: If yellow tipping occurs, your heater could produce increased levels of carbon monoxide. If the burner flame pattern shows yellow tipping, follow instructions below.

Notice: Do not mistake orange flames with yellow tipping. Dirt or other fine particles enter the heater and burn causing brief patches of orange flame.

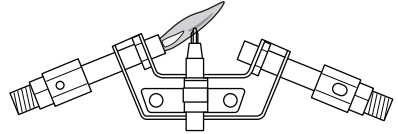


Figure 21 - Correct Pilot Flame Pattern

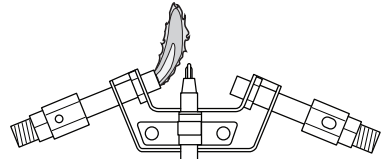


Figure 22 - Incorrect Pilot Flame Pattern

BURNER FLAME PATTERN

Figure 23 shows a correct burner flame pattern. Figure 24 shows an incorrect burner flame pattern. The incorrect burner flame pattern shows yellow tipping of the flame. It also shows the flame higher than 1/2 the heat shield height.

If burner flame pattern is incorrect, as shown in Figure 24

- turn heater off (see To Turn Off Gas to Appliance, page 19)
- see Troubleshooting pages 23 through 25.

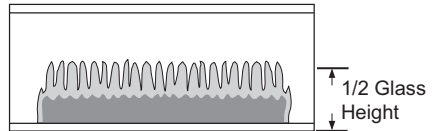


Figure 23 - Correct Burner Flame Pattern

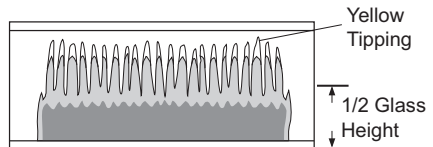


Figure 24 - Incorrect Burner Flame Pattern

CARE AND MAINTENANCE

⚠ WARNING: Turn off heater and let cool before servicing.

⚠ CAUTION: You must keep control areas, burner, and circulating air passageways of heater clean. Inspect these areas of heater before each use. Have heater inspected yearly by a qualified service technician. Heater may need more frequent cleaning due to excessive lint from carpeting, bedding material, pet hair, etc.

⚠ WARNING: Failure to keep the primary air opening(s) of the burner(s) clean may result in sooting and property damage.

MAIN BURNER

Periodically inspect all burner flame holes with the heater running. All slotted burner flame holes should be open with yellow flame present. All round burner flame holes should be open with a small blue flame present. Some

burner flame holes may become blocked by debris or rust, with no flame present. If so, turn off the heater and let it cool, and remove blockage or replace burner. Blocked burner flame holes will create soot.

BURNER INJECTOR HOLDER AND PILOT AIR INLET HOLE

We recommend that you clean the unit every 2,500 hours of operation or every three months. We also recommend that you keep the burner tube and pilot assembly clean and free of dust and dirt. To clean these parts we recommend using compressed air no greater than 30 PSI. Your local computer store, hardware store, or home center may carry compressed air in a can. You can use a vacuum cleaner in the blow position. If using compressed air in a can, please follow the directions on the can. If you don't follow directions on the can, you could damage the pilot assembly.

1. Shut off the unit, including the pilot. Allow the unit to cool for at least thirty minutes.
2. Inspect burner, pilot and primary air inlet holes on injector for dust and dirt.
3. Blow air through the ports/slots and holes in the burner. Also clean the pilot assembly.
4. Check the injector holder located at the end of the burner tube again. Remove any large particles of dust, dirt, lint, or pet hair with a soft cloth or vacuum cleaner nozzle.
5. Blow air into the primary air holes on the injector holder.
6. In case any large clumps of dust have now been pushed into the burner. Repeat steps 3 and 4.

ODS/PILOT

Use a vacuum cleaner, pressurized air, or a small, soft bristled brush to clean.

A yellow tip on the pilot flame indicates dust and dirt in the pilot assembly. There is a small pilot air inlet hole about 2" from where the pilot flame comes out of the pilot assembly (see Figure 25). With the unit off, lightly blow air through the air inlet hole. You may blow through a drinking straw if compressed air is not available.

Natural Gas Burner

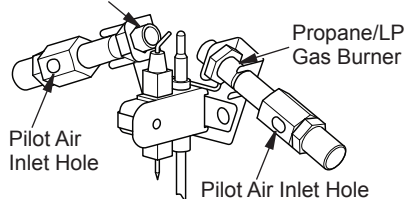


Figure 25 - Pilot Inlet Air Hole

CABINET

Air Passageways

Use a vacuum cleaner or pressurized air to clean.

Exterior

- Use a soft cloth dampened with a mild soap and water mixture.
- Wipe the cabinet to remove dust.

TROUBLESHOOTING

⚠ WARNING: If you smell gas:

- Shut off gas supply.
- Do not try to light any appliance.
- Do not touch any electrical switch; do not use any phone in your building.
- Immediately call your gas supplier from a neighbor's phone. Follow the gas supplier's instructions.
- If you cannot reach your gas supplier, call the fire department.

⚠ WARNING: Only a qualified service technician should service and repair heater. Make sure that power is turned off before proceeding. Turn off and let cool before servicing.

⚠ CAUTION: Never use a wire, needle, or similar object to clean ODS/pilot. This can damage ODS/ pilot unit.

IMPORTANT: Operating heater where impurities in air exist may create odors. Cleaning supplies, paint, paint remover, cigarette smoke, cements and glues, new carpet or textiles, etc., create fumes. These fumes may mix with combustion air and create odors.

Note: All troubleshooting items are listed in order of operation.

Problem	Possible Cause	Corrective Action
When ignitor button is pressed in, there is no spark at ODS/pilot.	<ol style="list-style-type: none"> 1. Ignitor electrode is positioned wrong. Ignitor electrode is broken. 2. Ignitor electrode is not connected to ignitor cable. 3. Ignitor cable is pinched or wet. 4. Broken ignitor cable. 5. Bad piezo ignitor. 6. Low battery. 	<ol style="list-style-type: none"> 1. Replace pilot assembly. 2. Replace ignitor cable. 3. Free ignitor cable if pinched by any metal or tubing. Keep ignitor cable dry. 4. Replace ignitor cable. 5. Replace piezo ignitor. 6. Replace battery.
When ignitor button is pressed in there is a spark at ODS/pilot but no ignition.	<ol style="list-style-type: none"> 1. Gas supply is turned off or equipment shutoff valve is closed. 2. Control knob not fully pressed in while pressing ignitor button. 3. Air in gas lines when installed. 4. ODS / pilot is clogged. 5. Incorrect inlet gas pressure or inlet regulator is damaged. 6. Control knob not in PILOT position. 7. Depleted gas supply (propane). 	<ol style="list-style-type: none"> 1. Turn on gas supply or open equipment shutoff valve. 2. Fully press in control knob while pressing ignitor button. 3. Continue holding down control knob. Repeat igniting operation until air is removed. 4. Clean ODS/pilot (see Care and Maintenance, page 22) or replace ODS/pilot assembly. 5. Check inlet gas pressure or replace inlet gas regulator. 6. Turn control knob to PILOT position. 7. Contact local propane/LP gas company.

TROUBLESHOOTING

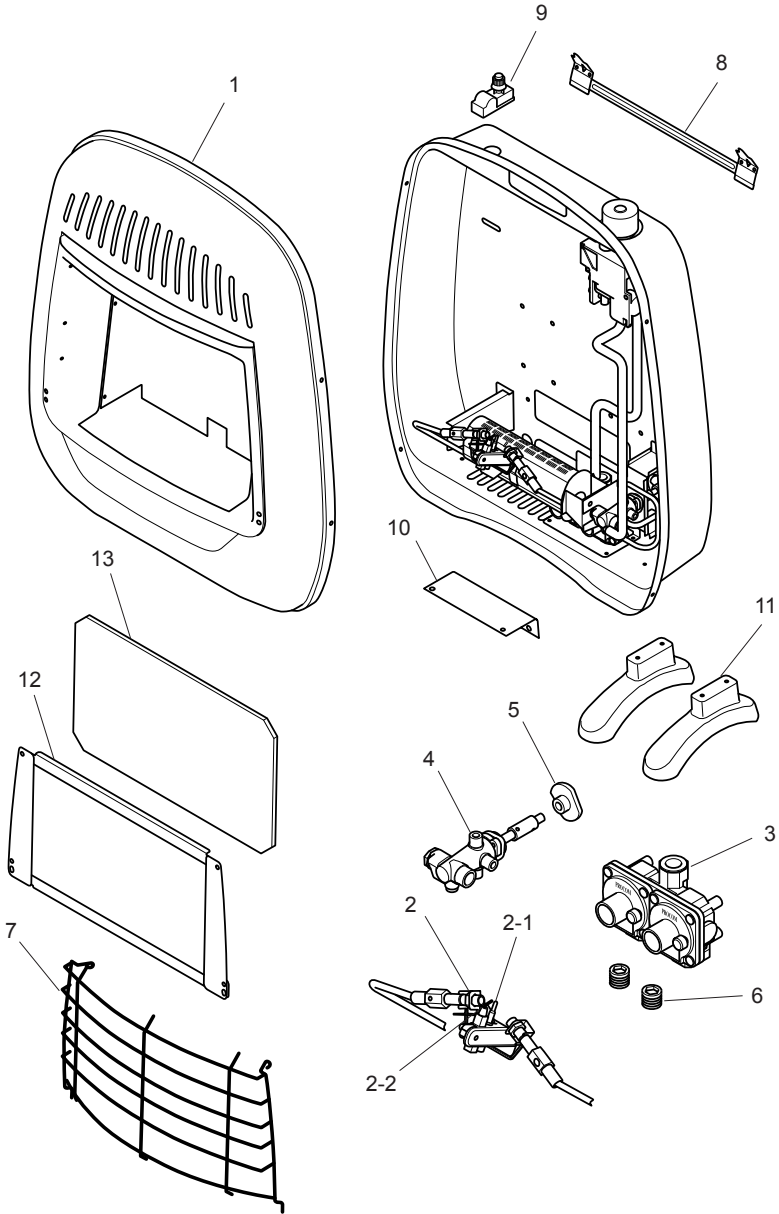
Problem	Possible Cause	Corrective Action
ODS/pilot lights but flame goes out when control knob is released.	<ol style="list-style-type: none"> 1. Control knob is not fully pressed in. 2. Control knob is not pressed in long enough. 3. Equipment shutoff valve is not fully open. 4. Thermocouple connection is loose at control valve. 5. Pilot flame not touching thermocouple, which allows thermocouple to cool, causing pilot flame to go out. This problem could be caused by one or both of the following: A) Low gas pressure B) Dirty or partially clogged ODS/pilot 6. Thermocouple damaged. 7. Control valve damaged. 	<ol style="list-style-type: none"> 1. Press in control knob fully. 2. After ODS/pilot lights, keep control knob pressed in 30 seconds. 3. Fully open equipment shutoff valve. 4. Hand tighten until snug, and then tighten 1/4 turn more. 5. A) Contact local natural or propane/LP gas company B) Clean ODS/pilot (see <u>Care and Maintenance</u>, page 22) or replace ODS/pilot assembly 6. Replace thermocouple 7. Replace control valve.
Burner(s) does not light after ODS/pilot is lit.	<ol style="list-style-type: none"> 1. Burner orifice is clogged. 2. Burner orifice diameter is too small. 3. Inlet gas pressure is too low. 	<ol style="list-style-type: none"> 1. Clean burner orifice (see <u>Care and Maintenance</u>, page 22) or replace burner orifice. 2. Replace burner orifice. 3. Contact local gas supplier.
Delayed ignition of burner(s).	<ol style="list-style-type: none"> 1. Manifold pressure is too low. 2. Burner orifice is clogged. 	<ol style="list-style-type: none"> 1. Contact local gas supplier. 2. Clean burner (see <u>Care and Maintenance</u>, page 22) or replace burner orifice.
Burner backfiring during combustion.	<ol style="list-style-type: none"> 1. Burner orifice is clogged or damaged. 2. Burner is damaged. 3. Gas regulator is damaged. 	<ol style="list-style-type: none"> 1. Clean burner orifice (see <u>Care and Maintenance</u>, page 22) or replace burner orifice. 2. Replace burner. 3. Replace gas regulator.
High yellow flame during burner combustion.	<ol style="list-style-type: none"> 1. Not enough air. 2. Gas regulator is defective. 3. Inlet gas pressure is too low. 	<ol style="list-style-type: none"> 1. Check burner for dirt and debris. If found, clean burner (see <u>Care and Maintenance</u>, page 22). 2. Replace gas regulator. 3. Contact local gas supplier.
Gas odor during combustion.	<ol style="list-style-type: none"> 1. Foreign matter between control valve and burner. 2. Gas leak. (See <u>Warning Statement</u> at top of page 23). 	<ol style="list-style-type: none"> 1. Take apart gas tubing and remove foreign matter. 2. Locate and correct all leaks (see <u>Checking Gas Connections</u>, page 17).

TROUBLESHOOTING

Problem	Possible Cause	Corrective Action
Slight smoke or odor during initial operation.	1. Residues from manufacturing process.	1. Problem will stop after a few hours of operation.
Heater produces a whistling noise when burner is lit.	<ol style="list-style-type: none"> 1. Turning control knob to high (5) position when burner is cold. 2. Air in gas line. 3. Air passageways on heater are blocked. 4. Dirty or partially clogged burner orifice. 	<ol style="list-style-type: none"> 1. Turn control knob to low (1) position and let warm up for a minute. 2. Operate burner until air is removed from line. Have gas line checked by local gas supplier. 3. Observe minimum installation clearances (Figure 3, page 10). 4. Clean burner (see <i>Care and Maintenance</i>, page 22) or replace burner orifice.
Heater produces a clicking/ticking noise just after burner is lit or shut off.	1. Metal is expanding while heating or contracting while cooling.	1. This is common with most heaters. If noise is excessive, contact qualified service technician.
White powder residue forming within burner box or on adjacent walls or furniture.	1. When heated, the vapors from furniture polish, wax, carpet cleaners, etc., turn into white powder residue.	1. Turn heater off when using furniture polish, wax, carpet cleaner or similar products.
Heater produces unwanted odors.	<ol style="list-style-type: none"> 1. Heater is burning vapors from paint, hair spray, glues, etc. See IMPORTANT statement, page 23. 2. Gas leak. See <i>Warning Statement</i> at the top of page 23. 3. Low fuel supply (propane/LP gas only). 	<ol style="list-style-type: none"> 1. Ventilate room. Stop using odor causing products while heater is running. 2. Locate and correct all leaks (see <i>Checking Gas Connections</i>, page 17). 3. Refill supply tank (Propane/LP models).
Heater shuts off in use (ODS operates).	<ol style="list-style-type: none"> 1. Not enough fresh air is available. 2. Low line pressure. 3. ODS/pilot is partially clogged. 	<ol style="list-style-type: none"> 1. Open window and/or door for ventilation. 2. Contact local gas supplier. 3. Clean ODS/pilot (see <i>Care and Maintenance</i>, page 22).
Gas odor exists even when control knob is in OFF position.	<ol style="list-style-type: none"> 1. Gas leak. See <i>Warning Statement</i> at top of page 23. 2. Control valve is defective. 	<ol style="list-style-type: none"> 1. Locate and correct all leaks (see <i>Checking Gas Connections</i>, page 17). 2. Replace control valve.
Moisture/condensation noticed on windows.	1. Not enough combustion/ventilation air.	1. Refer to <i>Air for Combustion and Ventilation</i> requirements, page 7.

PARTS

MODEL MD100TBF



PARTS

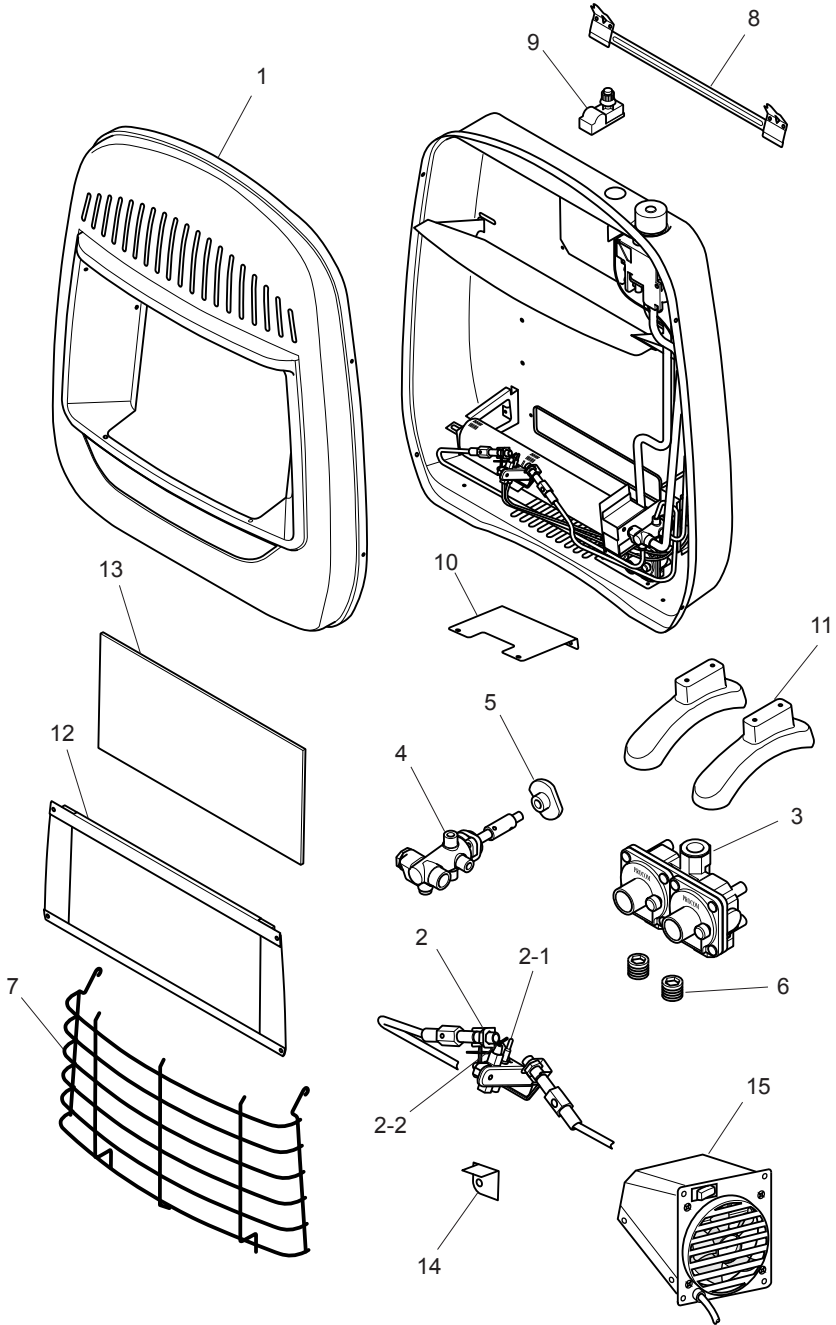
MODEL MD100TBF

This list contains replaceable parts for your heater. When ordering replacement parts, follow the instructions listed under Replacement Parts on page 30 of this manual.

ITEM	PART #	DESCRIPTION	QTY.
1	MEL210-01A-CG-ASMB	Front Cover	1
2	NDD0308-600-1	ODS Pilot	1
2-1	ND0803-6	Thermocouple	1
2-2	ND0807-01	Electrode	1
3	RV83FI-4-9	Pressure Regulator	1
4	LHY-00-100-B	Fuel Selection Device	1
5	MDL304B	Fuel Selection Device Knob	1
6	PF120820	Regulator Plug	2
7	MEL2700A	Grill Guard	1
8	MB060-02	Mounting Bracket	1
9	PIMSC1-01	Ignitor Assembly	1
10	MEL232	Bottom Bracket	1
11	MEL282-CG	Base	2
12	MEB2300	Glass Install Assembly	1
13	MEL295	Glass	1
PARTS AVAILABLE - NOT SHOWN			
	MEB5201-01	Hardware Package	1
	MEB5201-02	Battery/Wrench Package	1

PARTS

MODEL MD200TBF



PARTS

MODEL MD200TBF

This list contains replaceable parts for your heater. When ordering replacement parts, follow the instructions listed under Replacement Parts on page 30 of this manual.

ITEM	PART #	DESCRIPTION	QTY
1	MEB301-01A-CG	Front Cover	1
2	NDD0308-800-1	ODS Pilot	1
2-1	ND0803-8	Thermocouple	1
2-2	ND0807-01	Electrode	1
3	RV83FI-4-9	Pressure Regulator	1
4	LHY-00-B	Fuel Selection Device	1
5	MDL304B	Fuel Selection Device Knob	1
6	PF120820	Regulator Plug	2
7	MEL3133B	Grill Guard	1
8	MEB060-3P-CG	Mounting Bracket	1
9	PIMSC1-01	Ignitor Assembly	1
10	MEL5104	Bottom Bracket	1
11	MEL514-CG	Base	2
12	MEB316	Glass Install Assembly	1
13	MEL315	Glass	1
14	ML105-03D	ODS Deflector	1
15	PF06-YJLF-B	Blower	1
PARTS AVAILABLE - NOT SHOWN			
	MEB5201-01	Hardware Package	1
	MEB5201-02	Battery/Wrench Package	1
	NFLZ004	Fan Sensor Assembly	1

REPLACEMENT PARTS

Note: Use only original replacement parts. This will protect your warranty coverage for parts replaced under warranty.

PARTS UNDER WARRANTY

Contact authorized dealers of this product. If they can't supply original replacement parts, call Customer Service toll free at 1-866-573-6074 for referral information.

When calling Customer Service or your dealer, have ready:

- Your name
- Your address

- Model and serial number of your heater
- How heater was malfunctioning
- Type of gas used (Propane/LP or Natural gas/NG)

- Purchase date

Usually, we will ask you to return the defective part to the factory

PARTS NOT UNDER WARRANTY

Contact authorized dealers of this product. If they can't supply original replacement part(s) call Customer Service toll free at 1-866-573-6074 for referral information.

When calling Customer Service have ready:

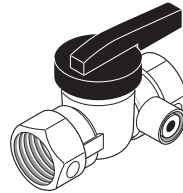
- Model number of your heater
- The replacement part number

ACCESSORIES

Purchase these heater accessories from your local dealer. If they can not supply these accessories, contact ProCom Heating, Inc. at 1-866-573-6074 for information.

EQUIPMENT SHUTOFF VALVE

For all models. Equipment shutoff valve with 1/8" NPT tap.



SERVICE HINTS

When Gas Pressure Is Too Low

- pilot will not stay lit
- burners will have delayed ignition
- fireplace will not produce specified heat
- propane/LP gas supply might be low (propane/LP units only)

You may feel your gas pressure is too low. If so, contact your local gas supplier.

TECHNICAL SERVICE

You may have further questions about installation, operation, or troubleshooting. If so, contact ProCom Heating, Inc. at 1-866-573-6074.

When calling, please have your model and serial numbers of your heater ready.

WARRANTY

KEEP THIS WARRANTY

Model _____

Serial No. _____

Date Purchased _____

Keep receipt for warranty verification.

REGISTER YOUR PRODUCT AT WWW.USAPROCOM.COM

IMPORTANT: We urge you to register your product within 10 days of date of installation, complete with entire serial number which can be found on the rating plate. Please fill out the warranty information above for your personal records. Retain this manual for future reference.

Always specify model and serial numbers when communicating with customer service.

We reserve the right to amend these specifications at any time without notice. The only warranty applicable is our standard written warranty. We make no other warranty, expressed or implied.

LIMITED WARRANTY

ProCom Heating, Inc. warrants this product to be free from defects in materials and components for THIRTY (30) days from the date of first purchase, provided that the product has been properly installed by a qualified installer in accordance with all local codes and instructions furnished with the unit, operated and maintained in accordance with all applicable instructions. To make a claim under this warranty, the Bill of Sale or cancelled check must be presented.

RESPONSIBILITY OF OWNER

This warranty is extended only to the original retail purchaser. This warranty covers the cost of part(s) required to restore this heater to proper operating condition. Warranty part(s) MUST be obtained through ProCom Heating, Inc. who will provide original factory replacement parts. Failure to use original factory replacement parts voids this warranty. The heater MUST be installed by a qualified installer in accordance with all local codes and instructions furnished with the unit.

WHAT IS NOT COVERED

This warranty does not apply to parts that are not in original condition because of normal wear and tear or parts that fail or become damaged as a result of misuse, accidents, lack of proper maintenance or defects caused by improper installation. Travel, diagnostic cost, labor, transportation and any and all such other costs related to repairing a defective heater will be the responsibility of the owner.

TO THE FULL EXTENT ALLOWED BY THE LAW OF THE JURISDICTION THAT GOVERNS THE SALE OF THE PRODUCT, THIS EXPRESS WARRANTY EXCLUDES ANY AND ALL OTHER EXPRESSED WARRANTIES AND LIMITS THE DURATION OF ANY AND ALL IMPLIED WARRANTIES. INCLUDING WARRANTIES OF MERCHANTABILITY AND FITNESS FOR A PARTICULAR PURPOSE TO THIRTY (30) DAYS ON ALL COMPONENTS FROM THE DATE OF FIRST PURCHASE. PROCOM HEATING, INC.'S LIABILITY IS HEREBY LIMITED TO THE PURCHASE PRICE OF THE PRODUCT AND PROCOM HEATING, INC. SHALL NOT BE LIABLE FOR ANY OTHER DAMAGES WHATSOEVER INCLUDING INDIRECT, INCIDENTAL OR CONSEQUENTIAL DAMAGES.

Some states do not allow a limitation on how long an implied warranty lasts or an exclusion or limitation of accidental or consequential damages, the above limitation on implied warranties, or exclusion or limitation on damages may not apply to you.

This warranty gives you specific legal right, and you may also have other rights that vary from state to state.



ProCOM

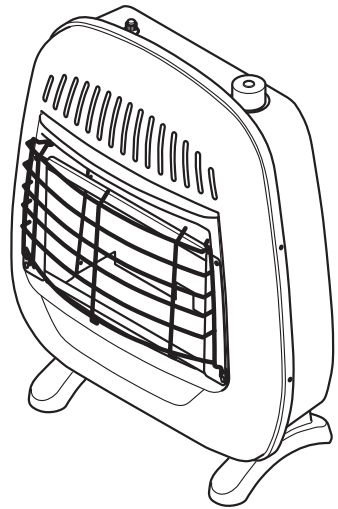
ProCom Heating, Inc.
Bowling Green, KY 42101
www.usaprocom.com
1-866-573-0674

200031-01
Rev. B
05/13



**CALENTADOR DE GAS DE
PARED SIN VENTILAS
MANUAL DE FUNCIONAMIENTO E
INSTALACIÓN DEL PROPIETARIO**

**LLAMA AZUL MODELOS
MD100TBF Y MD200TBF**



⚠ ADVERTENCIA: Si la información contenida en este manual no se sigue al pie de la letra, se pueden producir un incendio o una explosión que podrían ocasionar daños a la propiedad, lesiones personales o la pérdida de la vida.

- No guarde ni utilice gasolina u otros vapores y líquidos inflamables cerca de este aparato ni de cualquier otro.
- **QUÉ HACER SI PERCIBE OLOR A GAS**
 - No intente encender ningún aparato.
 - No toque ningún interruptor eléctrico; no use ningún teléfono en el edificio.
 - Llame inmediatamente a su proveedor de gas desde el teléfono de algún vecino. Siga las instrucciones del proveedor de gas.
 - Si no puede localizar al proveedor de gas, llame al departamento de bomberos.
- La instalación y el servicio deben ser realizados por personal calificado, una agencia de servicio o el proveedor de gas.

⚠ ADVERTENCIA: Este aparato está equipado para funcionar con gas (propano y natural). No se permite convertir más que a gas natural o gas propano.



¿Preguntas, problemas, piezas faltantes? Antes de volver a la tienda, llame a nuestro Departamento de Servicio al Cliente al 1-866-573-0674, de lunes a viernes de 8:00 a.m. a 4:30 p.m., Hora del Centro, o envíe un correo electrónico a customerservice@usaprocom.com.


TABLA DE CONTENIDOS

Seguridad	35	Instalación	42
Especificaciones.....	37	Funcionamiento	51
Agencia De Instalación Calificada	37	Inspección de los Quemadores	54
Características Del Producto.....	37	Cuidado y mantenimiento	55
Normas Locales.....	38	Solución de problemas	56
Preparación Para La Instalación	38	Piezas de repuesto.....	61
Desempaque	38	Accesorios	61
Vapor De Agua: Un Producto Derivado de Los Calentadores de Habitación		Consejos para servicio	61
Sin Ventilación	38	Servicio técnico	61
Aire para combustión y ventilación.....	39	Piezas.....	62
		Garantía.....	66

GUARDE ESTE MANUAL

**INSTALADOR: Deje este manual con el aparato.
CONSUMIDOR: Conserve este manual para
referencias futuras.**

Este es un calentador de llama de gas sin ventilación. Utiliza aire (oxígeno) de la habitación en la que se instala. Se deben tomar las medidas necesarias para asegurar que haya suficiente aire para ventilación y combustión. Consulte la sección Aire para combustión y ventilación, en la página 39 de este manual.

 ADVERTENCIA: La instalación, ajuste, alteración, servicio o mantenimiento inadecuados pueden provocar lesiones o daños a la propiedad. Consulte este manual para conocer los procedimientos de instalación y operación correctos. Para obtener asistencia o información adicionales consulte a un instalador capacitado, agencia de servicio o al proveedor de gas.

Este aparato puede ser instalado en una casa móvil con ubicación permanente y adquirida en el mercado de posventa*, siempre que no esté prohibido por los códigos locales.

Este dispositivo es sólo para su uso con propano o gas natural. Este dispositivo está equipado con un medio simple para cambiar entre propano y gas natural. No se permite la conversión de campo por cualquier otro medio, incluido el uso de un kit.

* Mercado de posventa: venta completada por parte del fabricante, sin fines de reventa

SEGURIDAD

IMPORTANTE: Lea este manual del propietario cuidadosa y completamente antes de intentar ensamblar, operar o dar servicio a este calentador. El uso inadecuado de este calentador puede causar daños a la propiedad, lesiones graves o la muerte por quemaduras, incendio, explosión, electrocución e intoxicación con monóxido de carbono. No seguir estas instrucciones anula la garantía.

La instalación y reparación de este producto deben estar a cargo sólo de personal calificado para la instalación, una empresa de servicio o el proveedor de gas local.

⚠ ADVERTENCIA: Mantenga el área limpia y libre de materiales combustibles, gasolina y otros vapores y líquidos inflamables.

⚠ ADVERTENCIA: Este dispositivo se puede utilizar con gas propano o gas natural. Se envía desde la fábrica ajustado para su uso con gas propano.

Este aparato está diseñado para usarse únicamente con el tipo de gas indicado en la placa de clasificación. Este aparato no se puede convertir para que utilice otro tipo de gas.

Intoxicación con monóxido de carbono: los síntomas iniciales de la intoxicación con monóxido de carbono son semejantes a los de la gripe, con dolores de cabeza, mareos y/o náusea. Si usted presenta estos síntomas, es posible que el calentador no esté funcio-

nando correctamente. ¡Respire aire fresco inmediatamente! Haga que le den servicio al calentador. El monóxido de carbono afecta más algunas personas que a otras. Las más afectadas son mujeres embarazadas, personas con enfermedades del corazón, de los pulmones o anemia, aquellas bajo la influencia del alcohol y aquellas a grandes altitudes.

Gas natural y gas propano/LP: el gas natural y gas propano/LP son gases inodoros. Al gas propano se le agrega un agente con olor. El olor le ayuda a detectar las fugas de gas. Sin embargo, el olor que se añade al gas puede desvanecerse. Es posible que haya gas presente aunque no haya ningún olor.

⚠ ADVERTENCIA: Cualquier cambio a este calentador o a sus controles puede ser peligroso.

⚠ ADVERTENCIA: No utilice ningún tipo de accesorio de soplador, accesorio para intercambio de calor ni ningún otro accesorio que no esté aprobado para su uso con este calentador.

⚠ ADVERTENCIA: Supervise cuidadosamente a los niños pequeños cuando estén en la habitación en la que se encuentra el calentador.

⚠ ADVERTENCIA: Asegúrese que la rejilla de resguardo esté puesta antes de hacer funcionar el calentador.

⚠ ADVERTENCIA: Debido a las altas temperaturas generadas por este aparato, éste se debe colocar fuera de las rutas de paso y alejado de muebles y cortinas.

SEGURIDAD

⚠ ADVERTENCIA: Este calentador alcanza temperaturas muy altas cuando el calentador está en funcionamiento. Mantenga a niños y adultos alejados de las superficies calientes para evitar quemaduras o que la ropa se encienda. El calentador permanecerá caliente durante algún tiempo después de que se ha apagado. Permita que la superficie se enfríe antes de tocarla.

⚠ ADVERTENCIA: No coloque ropa ni otros materiales inflamables sobre el aparato ni cerca del mismo. Nunca coloque ningún objeto sobre el calentador.

1. No ponga los tanques de suministro de gas propano/LP dentro de ninguna estructura. Sitúe los tanques de suministro gas propano/LP en el exterior.
2. No instale model MD100TBF en el cuarto de baño. No instale modelo MD200TBF en un dormitorio o en un cuarto de baño.
3. Este calentador necesita ventilación con aire fresco del exterior para funcionar correctamente. Este calentador tiene un sistema de apagado de seguridad con detección de agotamiento de oxígeno (ODS). El ODS apaga el calentador cuando no hay suficiente aire fresco. Consulte *Aire para combustión y ventilación* en la página 39. Si el calentador continúa apagándose, consulte *Solución de problemas*, en la página 56.
4. Mantenga todas las entradas de aire del frente y fondo del calentador limpias y libres de escombros. Esto asegurará aire suficiente para la combustión.
5. Si el calentador se apaga, no lo vuelva a encender hasta que se le haya proporcionado aire fresco del exterior. Si el calentador continua apagado se deberá ser revisado por personal calificado.
6. No haga funcionar el calentador
 - donde se utilicen o almacenen líquidos o vapores inflamables
 - en condiciones con mucho polvo
7. Apague el calentador antes de usar pulidores de muebles, ceras, limpiadores de alfombras o productos parecidos. Si se calientan, los vapores que se desprenden de estos productos pueden producir un residuo de polvo blanco dentro de la caja del calentador, o en las paredes y los muebles adyacentes.
8. Siempre haga funcionar el calentador con las perillas de control del 1,2,3,4,5 en posiciones fijas. Nunca coloque la perilla de control entre las dos posiciones, ya que puede haber una mala combustión y mayores niveles de monóxido de carbono.
9. No use este calentador si alguna de sus partes estuvo sumergida en agua. Llame inmediatamente a un técnico de servicio para que inspeccione el calentador y para que remplace las piezas del sistema de control o los controles de gas que hayan estado sumergidos en agua.
10. Apague y desconecte el calentador, déjelo enfriar antes de cualquier reparación. Sólo un técnico calificado debe realizar el mantenimiento o reparar el calentador.
11. Hacer funcionar el calentador a alturas superiores a 1,371 m (4,500 pies) puede ocasionar que el piloto se apague.
12. Para evitar problemas de rendimiento en los modelos de gas propano/LP, no use tanques de gas propano/LP de menos de 45 kg (100 libras) de capacidad.

ESPECIFICACIONES

MODELO	MD100TBF	MD200TBF
BTU (disponible)	10,000	20,000
Tipo de gas	Natural	Natural
Regulador de presión	4" de c.a.	4" de c.a.
Presión de entrada de gas (pulg. de c.a.)	Máxima 10.5"	Máxima 10.5"
	Mínima 5"	Mínima 5"
Tipo de gas	Propano/LP	Propano/LP
Regulador de presión	9" de c.a.	9" de c.a.
Presión de entrada de gas (pulg. de c.a.)	Máxima 14"	Máxima 14"
	Mínima 11"	Mínima 11"
Encendido	Piezoeléctrico	Piezoeléctrico
Dimensiones del calentador (alto x ancho x profundidad)	22.3" x 17.32" x 9.62"	26.8" x 21" x 9.2"
Dimensiones caja (alto x ancho x profundidad)	22.83" x 18.31" x 9.84"	26.69" x 21.97" x 9.76"
Pesa de calentador	16.3 lbs.	22.8 lbs.
Peso con embalaje	19.7 lbs.	27.2 lbs.

*Para propósitos de ajuste de entrada

AGENCIA DE INSTALACIÓN CALIFICADA

La instalación y el remplazo de tuberías de gas, de equipos o de accesorios para la utilización de gas y la reparación y el mantenimiento de los equipos deben estar a cargo sólo de una agencia calificada. El término "agencia calificada" significa cualquier persona, empresa, corporación o compañía que, en persona o por medio de un representante, se dedique a y sea responsable de:

- Instalar, probar o reemplazar tuberías de gas o
- Conectar, instalar, probar, reparar o realizar mantenimiento de equipos; que tenga experiencia en este tipo de trabajos; que esté al tanto de todas las precauciones necesarias y que cumpla con todas las exigencias de las autoridades que tienen jurisdicción.

CARACTERÍSTICAS DEL PRODUCTO

PILOTO DE SEGURIDAD

El calentador posee un piloto que cuenta con un sistema de apagado de seguridad por medio de un sensor de agotamiento de oxígeno (ODS). El sensor de agotamiento de oxígeno del piloto apaga el calentador si no hay suficiente cantidad de aire fresco.

SISTEMA DE ENCENDIDO PIEZOELÉCTRICO

El calentador cuenta con un sistema de control piezoeléctrico. Requiere una (1) batería AAA (incluida).

CONTROL DEL CALOR POR TERMOSTATO

El control apaga y enciende el quemador de forma automática por ciclos para mantener una temperatura ambiente deseada.

2 OPCIONES DE GAS DISPONIBLES

El calentador está diseñado para funcionar con gas propano o con gas natural. El calentador es enviado de fábrica listo para conectarse a gas propano. Para cambiarlo fácilmente a gas natural, el instalador calificado debe seguir las instrucciones de la página 46 y las indicaciones que aparecen en el calentador.

NORMAS LOCALES

Instale y use el calentador con cuidado. Siga todas las normas locales. A falta de normas locales, utilice la última edición del *Código Nacional de Gas Combustible, ANSI Z223.1/NFPA 54**.

*Disponible en:

American National Standards Institute, Inc.
1430 Broadway
New York, NY 10018, EE.UU.
National Fire Protection Association, Inc.
Batterymarch Park
Quincy, MA 02269, EE.UU.

Estado de Massachusetts: La instalación la debe realizar un plomero o un instalador de gas con licencia para ejercer en el estado de Massachusetts.

Los vendedores de calentadores complementarios de interiores a base de gas propano o de gas natural y sin ventilación deben proporcionar a cada cliente una copia del 527 CMR 30 al realizar la venta.

En el estado de Massachusetts la manija del gas debe ser una manija tipo T. El estado de Massachusetts requiere que el conector flexible no exceda de 3 pies de largo.

PREPARACIÓN PARA LA INSTALACIÓN

Antes de ensamblar u operar el producto, asegúrese de tener todas las piezas. Compare las piezas con la lista del contenido del paquete. Si hay piezas dañadas o si faltan piezas, no intente armar, instalar ni usar el producto. Póngase en contacto con el servicio al cliente para obtener piezas de repuesto.

DESEMPAQUE

1. Saque el calentador de la caja.
2. Retire todo el empaque de protección que se agregó al calentador para su envío.
3. Revise el calentador para ver si hay algún daño debido al transporte. Si el calentador está dañado, informe de inmediato al distribuidor donde lo compró.

VAPOR DE AGUA: UN PRODUCTO DERIVADO DE LOS CALENTADORES DE HABITACIÓN SIN VENTILACIÓN

El vapor de agua es un producto derivado de la combustión del gas. Un calentador de habitación sin ventilación produce aproximadamente 29,57 ml (1 onza) de agua por cada 1,000 BTU (0,29 kW) de entrada de gas por hora. Los calentadores de habitación sin ventilación son recomendables como calefacción suplementaria (una habitación) más que como fuente principal de calefacción (una casa entera). En la mayoría de las aplicaciones de calefacción suplementaria, el vapor de agua no constituye un problema. En la mayoría de las aplicaciones, el vapor de agua contribuye a la baja humedad de la atmósfera que se experimenta en climas fríos.

Los siguientes pasos asegurarán que el vapor de agua no se convierta en un problema:

1. Asegúrese de que el calentador tenga el tamaño adecuado para la aplicación, incluidas la combustión y la circulación adecuadas del aire.
2. Si hay humedad elevada, se puede utilizar un deshumidificador para ayudar a reducir el contenido de vapor de agua del aire.
3. No utilice un calentador de habitación sin ventilación como fuente principal de calefacción.

⚠ ADVERTENCIA: Este calentador no debe instalarse en un espacio confinado ni en una construcción inusualmente sellada, a menos que se hayan tomado las medidas necesarias para proporcionar el aire adecuado para la combustión y la ventilación. Lea las instrucciones siguientes para asegurarse de que su hogar cuente con la cantidad adecuada de aire fresco para éste y otros aparatos que queman combustible.

Las casas actuales están diseñadas para ser más eficientes que nunca en el ahorro de energía. Los nuevos materiales, un mejor aislamiento y los nuevos métodos de construcción ayudan a reducir la pérdida de

calor en las casas. Los propietarios de casas aíslan y sellan alrededor de las ventanas y puertas para mantener el aire frío afuera y el aire caliente adentro. Durante los meses de calor, los propietarios de casas desean que sus hogares estén lo más hermético posible.

Aunque es bueno hacer que su hogar sea eficiente en el ahorro de energía, también es necesario que se ventile. Es necesario que entre aire fresco a su casa. Todos los aparatos que queman combustible necesitan aire fresco para tener una combustión y ventilación adecuadas.

Los ventiladores de expulsión de aire, las chimeneas, las secadoras de ropa y los aparatos que queman combustible toman aire de la casa durante su funcionamiento. Usted debe proporcionar la cantidad adecuada de aire fresco para estos aparatos. Esto asegura que la ventilación de los aparatos que queman combustible sea la adecuada.

CÓMO PROPORCIONAR LA VENTILACIÓN ADECUADA

Los siguientes son extractos del *Código Nacional de Gas Combustible, ANSI Z223.1/ NFPA 54, Aire para combustión y ventilación*.

Todos los espacios en las viviendas se pueden clasificar en una de las tres categorías de ventilación siguientes:

1. Construcción inusualmente sellada
2. Espacio no confinado
3. Espacio confinado

La información de las páginas 39 a la 41 le ayudará a clasificar su espacio y a proporcionar la ventilación adecuada.

Construcción inusualmente sellada

El aire que se filtra por los bordes de las puertas y ventanas puede proporcionar suficiente aire fresco para la combustión y la ventilación. Sin embargo, en los edificios que tienen una construcción inusualmente sellada, usted debe proporcionar aire fresco adicional.

Una construcción inusualmente sellada se define como aquella en la que:

- a. Las paredes y los techos que están expuestos a la atmósfera exterior tienen un retardante continuo de vapor de agua con una clasificación de un Perm (6×10^{-11} kg por pa-seg-m²) o menos con aberturas selladas, y
- b. Se han instalado tiras de aislamiento en las ventanas y puertas que se pueden abrir, y

- c. Se han puesto selladores en áreas como las uniones alrededor de los marcos de puertas y ventanas, entre las placas de base y los pisos, entre las uniones de las paredes con los techos, entre los paneles de las paredes, en las perforaciones para tubería de agua, líneas eléctricas y de gas, y en otras aberturas.

Si su casa cumple con estos tres criterios, deberá proporcionar aire fresco adicional. Consulte *Aire del Exterior Para Ventilación*, página 41.

Si su casa no cumple con los tres criterios anteriores, vaya a *Determinación del Flujo de Aire Fresco para Ubicar el Calentador*, página 40.

AIRES PARA COMBUSTIÓN Y VENTILACIÓN

Espacio confinado y no confinado

El Código Nacional de Gas Combustible, ANSI Z223.1/NFPA 54, define el espacio confinado como aquél cuyo volumen es menor de 4.8 m³ por kw (50 pies³ por 1,000 BTU/h) de clasificación de entrada agregada de todos los aparatos instalados en ese espacio, y define el espacio no confinado como aquél cuyo volumen es mayor de 4.8 m³ por kw (50 pies³ por 1,000 BTU/h) de clasificación de entrada agregada de todos los aparatos

instalados en ese espacio. Las habitaciones que se comunican directamente con el espacio en el que están instalados los aparatos*, mediante aberturas que no tienen puertas, se consideran parte del espacio no confinado.

* Se considera que las habitaciones adyacentes están comunicadas sólo si hay accesos sin puertas o si hay rejillas de ventilación entre ellas.

DETERMINACIÓN DEL FLUJO DE AIRES FRESCO PARA UBICAR EL CALENTADOR

Cómo determinar si tiene un espacio confinado o no confinado

Utilice esta hoja de trabajo para determinar si tiene un espacio confinado o no confinado.

Espacio: Incluye la habitación en la que se va instalar el calentador mas todas las habitaciones adyacentes que tengan accesos sin puerta o rejillas de ventilación entre ellas.

1. Determine el volumen del espacio (largo x ancho x altura).

Largo x ancho x altura = _____ m³
(pies³) (volumen del espacio)

Ejemplo: tamaño del espacio 6.10 m (20 pies) de largo x 4.88 m (16 pies) de ancho x 2.44 m (8 pies) de altura del techo = 72.49 m³ (2560 pies³) (volumen del espacio)

Si se proporciona ventilación adicional a las habitaciones adyacentes por medio de rejillas o aberturas, agregue el volumen de éstas al volumen total del espacio.

2. Multiplique el volumen del espacio en pies³ por 20 para determinar la cantidad máxima de BTU/h que el espacio puede admitir.

_____ (volumen del espacio en pies³)
x 20 = (cantidad máxima de BTU/h que el espacio puede admitir)

Ejemplo: 72.4 m³ (2,560 pies³) (volumen del espacio en pies³) x 20 = 51,200 (cantidad máxima de BTU/h que el espacio puede admitir)

3. Agregue la cantidad de BTU/h de todos los aparatos que queman combustible en ese espacio.

Calentador sin ventilación _____ BTU/h
Calentador de agua de gas* _____ BTU/h
Horno de gas _____ BTU/h
Calentador de gas
con ventilación _____ BTU/h
Leños para chimenea de gas _____ BTU/h
Calentador de agua de gas _____ BTU/h
Otros aparatos de gas* + _____ BTU/h
Total = _____ BTU/h

* No incluya los aparatos de gas con ventilación directa. El sistema de ventilación directa toma el aire para combustión del exterior y ventila hacia el exterior.

Ejemplo:

Calentador de agua a gas 30,000 BTU/h
Calentador sin ventilación + 26,000 BTU/h
Total = 56,000 BTU/h

4. Compare la cantidad máxima de BTU/h que el espacio puede admitir con la cantidad real de BTU/h que se utiliza.

_____ BTU/h (máximo que el espacio puede admitir)

_____ BTU/h (cantidad real de BTU/h que se utiliza)

Ejemplo: 51,200 BTU/h (cantidad máxima que el espacio puede admitir)

79,000 BTU/h (cantidad real de BTU/h que se utiliza)

El espacio del ejemplo anterior es un espacio confinado, ya que la cantidad real de BTU/h utilizadas es mayor que la cantidad máxima de BTU/h que el espacio puede admitir. Se debe proporcionar aire fresco adicional. Sus opciones son las siguientes:

A. Vuelva a calcular la hoja de trabajo, agregando el espacio de una habitación adyacente. Si el espacio adicional genera un espacio no confinado, quite la puerta de la habitación adyacente o instale rejillas de ventilación entre las habitaciones. Consulte Aire del interior de la construcción para ventilación.

B. Ventile la habitación directamente desde el exterior. Consulte Aire del exterior para ventilación.

C. Instale un calentador de menos BTU/h si una cantidad menor de BTU/h hace que la habitación sea no confinada. Si la cantidad real de BTU/h que se utiliza es menor que la cantidad máxima que el espacio puede admitir, el espacio es no confinado. No necesitará ventilación adicional con aire fresco.

AIRE PARA COMBUSTIÓN Y VENTILACIÓN

⚠️ ADVERTENCIA: Si el área en la que se va a operar el calentador no cumple los requisitos de volumen de aire de combustión para interiores, se debe proporcionar aire para combustión y ventilación mediante uno de los métodos descritos en el *Código Nacional de Gas Combustible, ANSI Z223.1/NFPA 54*, el *Código Internacional de Gas Combustible* o los códigos locales aplicables.

AIRE PARA VENTILACIÓN

Aire del interior de la construcción para ventilación

Este aire fresco viene de un espacio adyacente no confinado. Cuando se ventila mediante un espacio adyacente no confinado, debe haber dos aberturas permanentes en la pared que está entre los dos espacios: una abertura 30.4 cm (12") del techo y otra 30.4 cm (12") del piso (consulte las opciones 1 y 2, figura 2). También se puede quitar la puerta de la habitación adyacente (consulte la opción 3, figura 2). Consulte el *Código Nacional de Gas Combustible, ANSI Z223.1/NFPA 54, Aire para Combustión y Ventilación* para conocer el tamaño requerido de las rejillas o los conductos de ventilación.

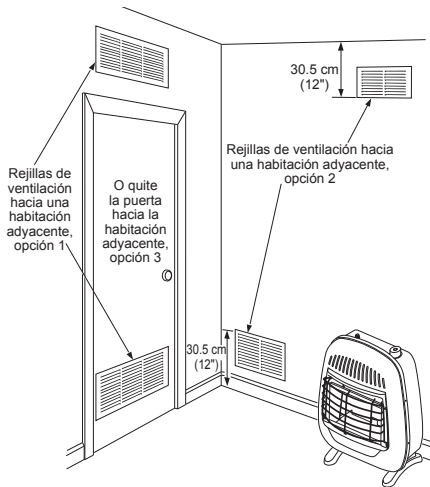


Figura 1 - Aire del interior de la construcción para ventilación

Aire del exterior para ventilación

Proporcione aire fresco adicional mediante el uso de rejillas o conductos de ventilación. Debe haber dos aberturas permanentes: una a 30.48 cm (12") del techo y otra a 30.48 cm (12") del suelo. Conecte estos elementos directamente al exterior o a los espacios que estén abiertos al exterior. Estos espacios incluyen áticos y espacios debajo del piso de la casa. Consulte el *Código Nacional de Gas Combustible, ANSI Z223.1/NFPA 54, Aire para combustión y ventilación* para conocer el tamaño requerido de las rejillas o los conductos de ventilación.

IMPORTANTE: No haga aberturas de entrada o de salida de aire hacia el ático si éste tiene ventilación eléctrica controlada por un termostato. El aire caliente que entre al ático activará la ventilación eléctrica.

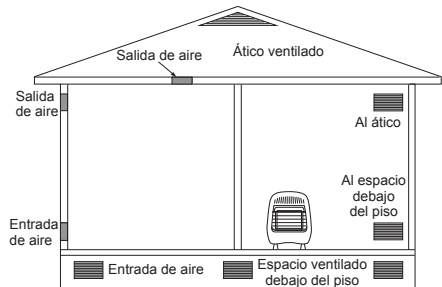


Figura 2 - Aire del exterior para ventilación

INSTALACIÓN

AVISO: Este calentador está diseñado para utilizarse como calefacción adicional. Use este calentador junto con su sistema de calefacción principal. No instale este calentador como fuente de calefacción principal. Si tiene un sistema de calefacción central, puede activar el ventilador de circulación del sistema mientras utiliza el calentador. Esto ayudará a que el calor circule por toda la casa. En caso de una interrupción de la energía eléctrica, puede usar este calentador como su fuente de calefacción principal.

⚠ ADVERTENCIA: Un técnico calificado debe realizar la instalación. Respete todas las normas locales.

⚠ ADVERTENCIA: Nunca instale el calentador

- en un baño (modelo MD100TBF)
- en un dormitorio o en un baño (modelo MD200TBF)
- en un vehículo recreativo
- donde cortinas, muebles, ropa u otros objetos inflamables estén a menos de 0.914 m (36") del frente, de la parte superior o laterales del calentador.
- en áreas de mucho tráfico
- en áreas con mucho viento o con corrientes fuertes de aire

⚠ PRECAUCIÓN: Este calentador crea corrientes de aire caliente. Estas corrientes mueven el calor hacia la superficie de las paredes próximas al calentador. La instalación del calentador cerca de paredes con recubrimientos de vinilo o tela, o la operación del calentador en lugares donde existan impurezas en el aire (como humo de tabaco, velas aromáticas, líquidos limpiadores, lámparas de aceite o de queroseno, entre otros), puede manchar las paredes o producir olores.

IMPORTANTE: Los calentadores sin ventilación añaden humedad al aire. Aunque esto es benéfico, la instalación del calentador en habitaciones sin suficiente aire de ventilación puede ocasionar la formación de moho debido al exceso de humedad. Consulte [*Aire para Combustión y Ventilación*](#) en la página 39.

VERIFIQUE EL TIPO DE GAS

Asegúrese de que el suministro de gas es apropiado para el calentador. De lo contrario, llame al distribuidor donde compró el calentador para el calentador de tipo adecuado.

INSTALACIÓN

DISTANCIA DE SEPARACIÓN DE COMBUSTIBLES

Siga con atención las siguientes instrucciones. Este calentador es una unidad de montaje en la pared diseñada para apoyarse directamente sobre el suelo o una base de repisa.

⚠ ADVERTENCIA: Mantenga las distancias mínimas como se muestra en la Figura 3. Si es posible, proporcione distancias mayores respecto al suelo, al techo y a las paredes adyacentes. Mida desde el punto más alejado del calentador.

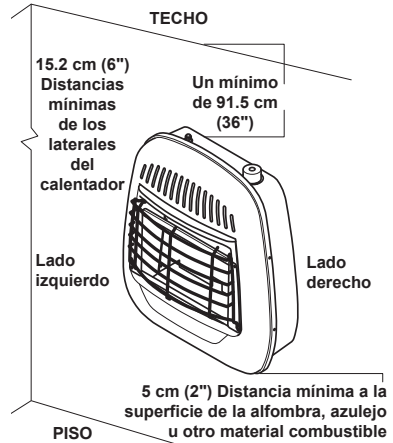


Figura 3 - Distancias mínimas de montaje vistas desde la parte anterior del calentador

UBICACIÓN DEL CALENTADOR

Este calentador está diseñado para montarse en la pared. Para mayor comodidad y eficiencia, instale el calentador:

- Donde haya fácil acceso para la operación, inspección y servicio.
- En el lugar más frío de la habitación.

INSTALACIÓN DEL BULBO DETECTOR TERMOSTATO (OPCIONAL)

1. Extraiga el bulbo detector de los dos sujetadores ubicados en la posición de transporte. No es necesario extraer los dos sujetadores del bulbo.
2. Extraiga el sujetador del bulbo del paquete de partes metálicas e inserta en el orificio cuadrado. Luego inserte el bulbo detector en el sujetador del bulbo (consulte la Figura 4).

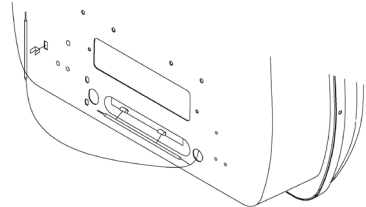


Figura 4 - Trasladarse del Bulbo Detector Termostato

COLOCACIÓN DEL CALENTADOR EN LA PARED

Soporte de montaje

El soporte de montaje se encuentra en el panel posterior del calentador (consulte la Figura 5). Se colocó con cinta en ese lugar para el transporte. Retire el soporte de montaje del panel posterior.

Soporte de montaje

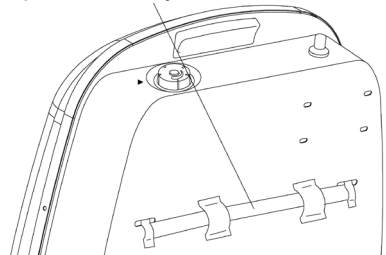


Figura 5 - Ubicación del soporte de montaje

INSTALACIÓN

Métodos para fijar el soporte de montaje a la pared

Use únicamente el último orificio de cada extremo del soporte de montaje para fijarlo a la pared. Fije el soporte de montaje a la pared mediante una de las dos maneras siguientes:

Fijación a viga de pared: este método proporciona la sujeción más firme. Inserte los tornillos de montaje en el soporte de montaje y en las vigas de pared.

Fijación a anclajes de pared: este método le permite fijar el soporte de montaje en paredes huecas (las áreas de la pared que se encuentran entre los maderos) o en paredes sólidas (de concreto o mampostería).

Decida cuál método se ajusta mejor a sus necesidades. Cualquiera de los dos métodos proporcionará un apoyo seguro para el soporte de montaje.

Cómo marcar las ubicaciones de los tornillos

1. Fije el soporte de montaje a la pared con cinta, en el lugar donde estará situado. Asegúrese de que el soporte de montaje esté nivelado.



ADVERTENCIA: mantenga las distancias mínimas que se muestran en la figura 3, página 43. Si puede, proporcione distancias mínimas mayores con respecto al piso y la pared de unión.

2. Marque la ubicación de los tornillos en la pared (consulte la figura 6).

Nota: Marque únicamente el último orificio de cada extremo del soporte de montaje. Inserte los tornillos de montaje en estos orificios solamente.

3. Quite la cinta y el soporte de montaje de la pared.

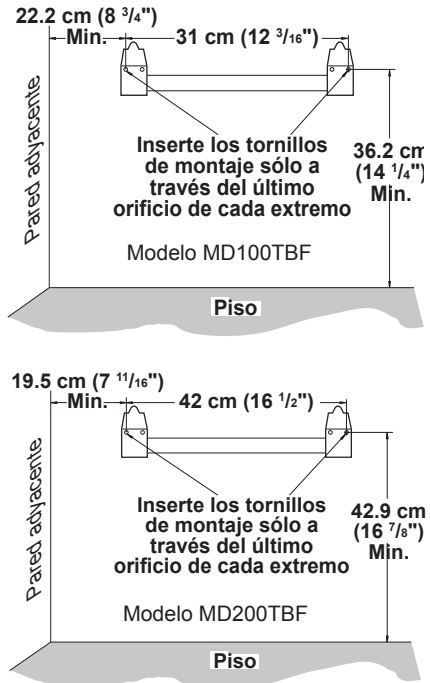


Figura 6 - Distancias mínimas del soporte de montaje

Instalación del soporte de montaje a la pared

Nota: Los anclajes de pared, los tornillos de montaje y los separadores se encuentran en el paquete de ferretería. El paquete de ferretería se incluye con el calentador.

Método de fijación a viga de pared

Para fijar el soporte de montaje a las vigas de pared:

1. Perfore orificios en los lugares marcados utilizando una broca de 9/64".
2. Coloque el soporte de montaje en la pared. Alinee el último orificio de cada extremo del soporte con los orificios que perforó en la pared.
3. Inserte los tornillos de montaje en el soporte y en las vigas de pared.
4. Apriete los tornillos hasta que el soporte de montaje esté asegurado firmemente a las vigas de pared.

INSTALACIÓN

Método de fijación a anclajes de pared

Para fijar el soporte de montaje en paredes huecas (el área entre las vigas) o en paredes sólidas (de concreto o mampostería)

1. Perfore orificios en los lugares marcados utilizando una broca de 5/16". Para las paredes sólidas (de concreto o mampostería), perfore a una profundidad de por lo menos 2.5 cm (1").
2. Doble el anclaje de pared como se muestra en la figura 7.
3. Inserte el anclaje de pared (las alas primero) en el orificio. Golpee suavemente el anclaje para introducirlo en la pared.
4. Para paredes delgadas, de 1.3 cm (1/2") o menos, inserte la llave roja en el anclaje de pared. Empuje la llave roja para que abra las alas de anclaje (consulte la Figura 8).

IMPORTANTE: ¡no golpee la llave con un martillo! Para paredes gruesas, de más de 1.3 cm (1/2") de ancho, o paredes sólidas, no abra las alas.

5. Coloque el soporte de montaje en la pared. Alinee el último orificio de cada extremo del soporte con los anclajes de pared.
6. Inserte los tornillos de montaje en el soporte y en los anclajes de pared.
7. Apriete los tornillos hasta que el soporte de montaje esté asegurado firmemente a la pared.

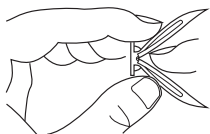


Figura 7 - Cómo doblar el anclaje

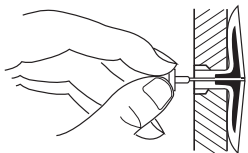


Figura 8 - Cómo abrir las alas del anclaje para paredes delgadas

Colocación del calentador en el soporte de montaje

1. Localice las dos ranuras horizontales en el panel posterior del calentador (consulte la figura 9).
2. Coloque el calentador en el soporte de montaje. Deslice las ranuras horizontales hacia las lengüetas salientes del soporte de montaje.

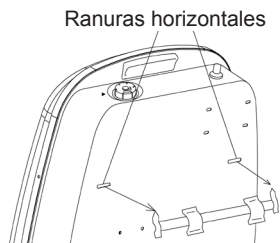


Figura 9 - Montaje del calentador en el soporte de montaje

Instalación de la base del soporte de montaje

1. Instale el soporte base en la parte inferior del calentador con dos tornillos. Puede ser más cómodo retirar el calentador del soporte de pared para la colocación.
2. Coloque el calentador sobre el soporte de montaje de pared.
3. Marque la ubicación de los tornillos en la pared.
4. Retire el calentador del soporte de montaje.
5. Si va a instalar los tornillos de montaje inferiores en una pared hueca o sólida, instale los anclas de expansión de pared. Siga los pasos 1 a 4 en Método de fijación a anclajes de pared. Si va a instalar los tornillos de base en montantes de pared, taladre orificios en las posiciones marcadas, con la ayuda de una broca de 9/64".

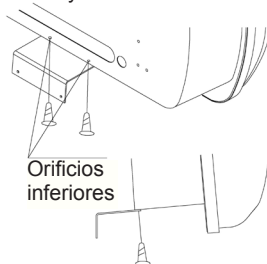


Figura 10 - Instalación de la base del soporte de montaje

INSTALACIÓN

6. Vuelva a colocar el calentador en el soporte de montaje.
7. Apriete ambos tornillos hasta que el calentador esté bien firme en la pared. No apriete demasiado.

INSTALACIÓN DE LAS PATAS BASE

Antes de instalar el calentador a la base, asegúrese de tener los siguientes artículos:

- (2) patas base
- (4) tornillos para lámina de metal

Procedimiento de instalación:

1. Coloque el respaldo del calentador sobre una mesa con su parte inferior proyectándose fuera del borde de la mesa.
2. Coloque las patas base en el calentador con los tornillos para lámina de metal.

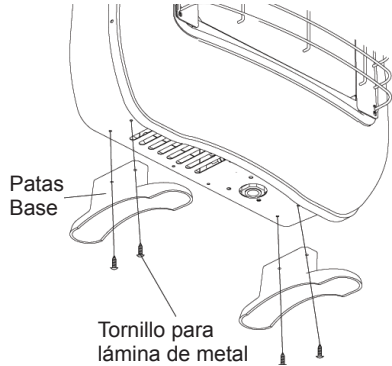


Figura 11 - Instalación de las patas base

SELECCIÓN DE GAS

Este aparato viene configurado de fábrica para gas propano/LP. No se requieren cambios para la conexión a gas propano/LP. Sólo un técnico calificado o un técnico en mantenimiento pueden realizar la selección del gas y la conexión al suministro de gas.

⚠ PRECAUCIÓN: Se prohíbe instalar dos líneas de gas al mismo tiempo. No abra la cubierta mientras la máquina está en funcionamiento.

⚠ PRECAUCIÓN: Para evitar fugas de gas en la entrada del regulador, un técnico calificado o un técnico en mantenimiento debe usar un tapón hexagonal con sellador.

⚠ ADVERTENCIA: No intente obtener acceso o cambiar la configuración de los medios de selección de combustible.

El acceso y ajuste de los medios de selección de combustible sólo se efectuarán por una persona calificada de servicio cuando se conecte este dispositivo a un suministro de combustible específico en el momento de la instalación.

El cambio del selector de configuración distinto del tipo de combustible especificado en el momento de instalación podría dañar este dispositivo y dejarlo inoperable.

El técnico deberá sustituir la cubierta de acceso antes de completar la instalación y funcionamiento de este dispositivo.

INSTALACIÓN

Para cambiar de gas propano a gas natural:

1. Retire el tornillo de la placa de la cubierta situados en la parte posterior del calentador (consulte la Figura 12). Gírela para que se vea el dispositivo de selección de combustible.
2. Para GAS NATURAL, presione la perilla con un destornillador plano con hoja de un cuarto de grosor y gire la perilla en dirección de las manecillas del reloj hasta que la perilla quede fijada en la posición NG (consulte la Figura 12). El dispositivo de selección de combustible debe estar fijo en la posición NG. No use el calentador con la perilla ubicada entre las dos posiciones.
3. Coloque la cubierta sobre el dispositivo de selección de combustible y vuelva a instalar los tornillos.
4. Retire el tapón hexagonal (con la llave provista) de la entrada de gas natural del regulador (consulte la Figura 12). Coloque el tapón hexagonal en la entrada LP del regulador. Instale la tubería de gas en la entrada del regulador de gas natural. Utilice sellador de roscado para evitar fugas.

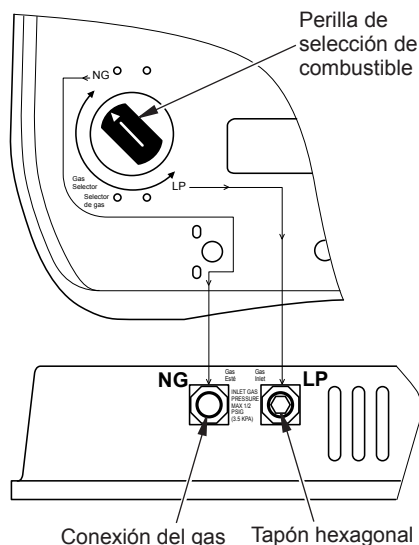


Figura 12 - Ajustes para Gas Natural

Para cambiar de gas natural a gas propano

1. Retire el tornillo de la placa de la cubierta situados en la parte posterior del calentador (consulte la Figura 13). Gírela para que se vea el dispositivo de selección de combustible.
2. Para GAS PROPANO, presione la perilla con un destornillador plano con hoja de un cuarto de grosor y gire la perilla en dirección contraria a las manecillas del reloj hasta que la perilla se fije en la posición LP (consulte la Figura 13). El dispositivo de selección de combustible debe estar fijo en la posición LP. No use el calentador con la perilla ubicada entre las dos posiciones.
3. Coloque la cubierta sobre el dispositivo de selección de combustible y vuelva a instalar los tornillos.
4. Retire el tapón hexagonal (con la llave provista) de la entrada de gas propano/LP del regulador (consulte la Figura 13). Coloque el tapón hexagonal en la entrada NG del regulador. Instale la tubería de gas en la entrada del regulador de gas LP. Utilice sellador de roscado para evitar fugas.

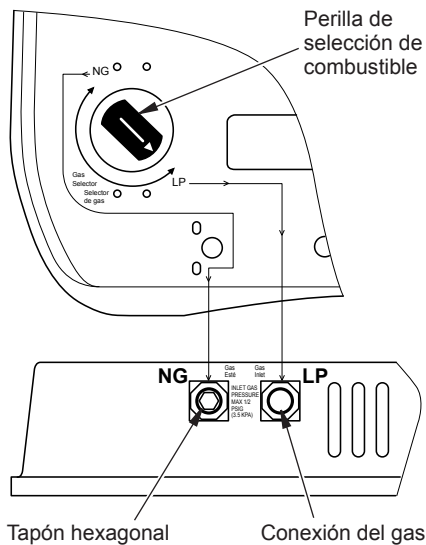


Figura 13 - Ajustes para Gas Propano/LP

INSTALACIÓN

CONEXIÓN AL SUMINISTRO DE GAS

⚠ ADVERTENCIA: Una persona de servicio capacitada debe conectar el calentador al suministro de gas. Siga todas las normas locales.

⚠ ADVERTENCIA: Este aparato requiere una conexión de entrada tipo NPT (rosca de tubería nacional) de 3/8" al regulador de presión.

⚠ ADVERTENCIA: Para gas natural, nunca conecte el calentador a pozos de gas privados (que no sean de servicio público). Este gas se conoce comúnmente como gas de pozo.

⚠ ADVERTENCIA: No sobre apriete las conexiones de gas.

⚠ PRECAUCIÓN: Utilice únicamente tubería nueva, de hierro negro o de acero. En algunas áreas se puede utilizar tubería de cobre con interior galvanizado. Consulte los códigos locales. Use tubería de 1/2" de diámetro interior, o mayor, para que el volumen de gas al calentador sea el adecuado. Si la tubería es demasiado angosta, se producirá una pérdida indebida de presión.

⚠ PRECAUCIÓN: Para gas propano/LP, nunca conecte el calentador directamente al suministro de gas propano/LP. Este calentador requiere un regulador externo (no se incluye). Instale el regulador externo entre el calentador y el suministro de gas propano/LP. El proveedor de gas debe suministrar un regulador externo para el gas natural. El técnico capacitado proporciona el regulador externo para el gas propano/LP.

⚠ PRECAUCIÓN: Revise la presión de la línea de gas natural antes de conectar el calentador a la línea. La presión de la línea de gas no debe ser superior a 26,67 cm (10.5") de c.a. Si la presión de la línea de gas es superior, podría dañarse el regulador del calentador.

⚠ PRECAUCIÓN: Evite dañar el regulador. Sostenga el regulador de gas con una llave cuando lo conecte a la tubería de gas y/o a las conexiones.

⚠ ADVERTENCIA: Use sellador para tubería que sea resistente al gas (Propano/LP o Gas Natural).

INSTALACIÓN

Antes de instalar el calentador, asegúrese de tener los elementos que se indican a continuación.

- regulador externo para gas propano/LP (proporcionado por el técnico capacitado que realiza la instalación)
- tubería (consulte los códigos locales),
- sellador (resistente al gas natural y gas propano/LP),
- válvula de cierre del equipo*,
- conexión para medidor de prueba*,
- unión de terminal con conexión a tierra,
- trampa de sedimentos,
- unión T,
- llave para tubería,
- manguera flexible para gas (revise los códigos locales)

Diámetros usuales de tubería de entrada

Utilice tuberías de hierro negro de 3/8" o más grandes. La instalación debe incluir la válvula de cierre del equipo, la unión y el tapón con rosca NPT de 1/8". Sitúe el conector con rosca NPT a su alcance para realizar la conexión del medidor de prueba. El conector tipo NPT se debe conectar en dirección del suministro desde el calentador (consulte la figura 14).

IMPORTANTE: instale una válvula de cierre del equipo en un lugar que sea accesible. La

válvula de cierre del equipo es para abrir o cerrar el suministro de gas al aparato.

Para gas propano/LP, aplique una pequeña cantidad de sellador de tubería a las roscas NPT macho. Esto evitará que el exceso de sellador entre a la tubería. El exceso de sellador en la tubería puede ocasionar que las válvulas del calentador se tapen.

El instalador debe proveer un regulador externo. El regulador externo reducirá la presión del gas entrante. Debe reducir la presión del gas entrante de manera que esté entre 11" y 14" de c.a. Si no reduce la presión del gas entrante, se pueden producir daños al regulador del calentador. Instale el regulador externo con la ventila apuntando hacia abajo. Como se muestra en la figura 15. El apuntar la ventila hacia abajo la protege de la lluvia helada o aguanieve.

Instale la trampa de sedimentos en la línea de suministro como se muestra en la figura 14. Sitúe la trampa de sedimentos de manera que se pueda tener acceso a ella para limpieza. Sitúe la trampa de sedimentos donde sea poco probable que los materiales atrapados en ella se congelen. La trampa de sedimentos atrapa humedad y contaminantes. Esto evita que los sedimentos lleguen a los controles del calentador. Si la trampa de sedimentos no se instala o se instala incorrectamente, el calentador podría no funcionar correctamente.

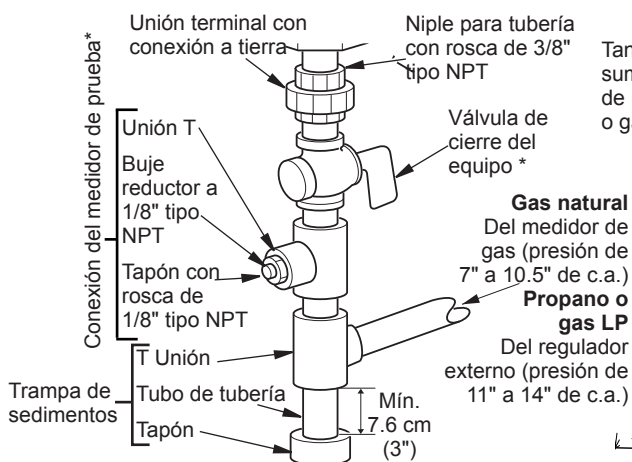


Figura 14 - Conexión de gas

* Adquiera la válvula opcional de cierre de equipo certificada con diseño CSA del distribuidor.

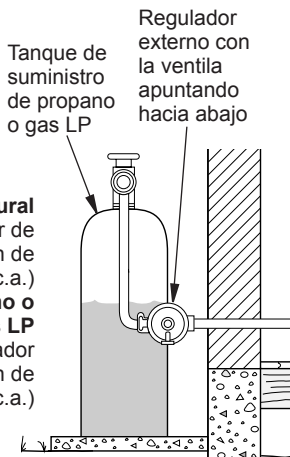


Figura 15 - Regulador externo con la ventila apuntando hacia abajo (sólo propano y gas LP)

INSTALACIÓN

REVISIÓN DE LAS CONEXIONES DE GAS

⚠ ADVERTENCIA: Después de instalar el calentador o de darle servicio, pruebe todas las conexiones y tubos de gas de la unidad, tanto internas como externas, en busca de fugas. Repare todas las fugas inmediatamente.

⚠ ADVERTENCIA: Nunca use una llama al descubierto para verificar si hay fugas. Aplique en todas las uniones algún líquido de detección de fugas que no sea corrosivo. La formación de burbujas indicará una fuga. Repare todas las fugas inmediatamente.

Pruebas de presión del sistema de tuberías de suministro de gas

Presiones de prueba que exceden 3.5 kPa (1/2 PSI)

1. Desconecte el aparato del sistema de tubería de suministro de gas con la válvula principal de gas del aparato (válvula de control) y con válvula de cierre del equipo. Las presiones que excedan 3.5 kPa (1/2 PSI) ocasionarán daños al regulador del calentador.
2. Coloque una tapa en el extremo abierto del tubo de gas donde estaba conectada la válvula de cierre del equipo.
3. Regule la presión del sistema de tubería de suministro ya sea abriendo la válvula del tanque de suministro de gas propano/LP, en caso que utilice este tipo de gas,
- o bien, abriendo la válvula principal de gas que se localiza en el medidor de gas natural o cerca de éste, o bien, usando aire comprimido.
4. Revise todas las uniones del sistema de tubería de suministro de gas. Aplique en todas las uniones algún líquido de detección de fugas que no sea corrosivo. La formación de burbujas indicará una fuga.
5. Repare todas las fugas inmediatamente.
6. Vuelva a conectar el calentador y la válvula de cierre del equipo al suministro de gas. Revise las conexiones que se volvieron a conectar en caso de fugas.

Presiones de prueba iguales o menores a 3.5 kPa (1/2 PSI)

1. Cierre la válvula de cierre del equipo (consulte la figura 16).
2. Regule la presión del sistema de tubería de suministro ya sea abriendo la válvula del tanque de suministro de gas propano/LP, en caso que utilice este tipo de gas, o bien, abriendo la válvula principal de gas que se localiza en el medidor de gas natural o cerca de éste, o bien, usando aire comprimido.
3. Revise todas las uniones desde el medidor de gas, tanto para suministro de gas natural o propano/LP, hasta la válvula de cierre del equipo (consulte la figura 17 o 18). Aplique en todas las uniones algún líquido de detección de fugas que no sea corrosivo. La formación de burbujas indicará una fuga.
4. Repare todas las fugas inmediatamente.

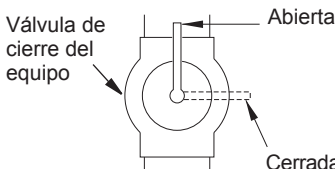


Figura 16 - Válvula de cierre del equipo

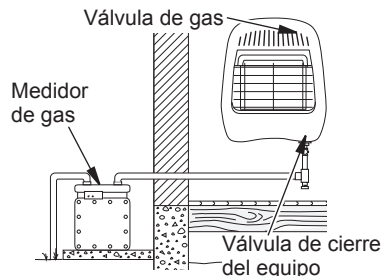


Figura 17 - Suministro de gas natural

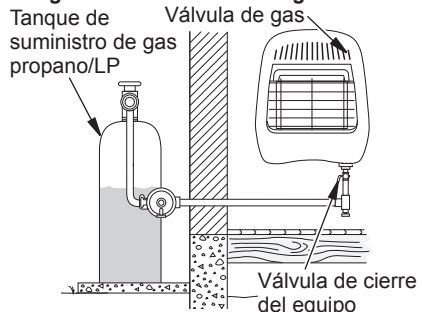


Figure 18 - Propano/LP suministro de gas


INSTALACIÓN

COMPROBACIÓN DE LA PRESIÓN DE LAS CONEXIONES DE GAS DEL CALENTADOR

1. Abra la válvula de cierre del equipo (consulte la figura 16, página 50).
2. Abra la válvula principal localizada en o cerca del medidor de gas si usa gas natural, o abra la válvula del tanque de suministro de gas propano/LP.
3. Compruebe que las perillas de control del calentador estén en la posición OFF (apagado).
4. Revise todas las uniones entre la válvula de cierre del equipo y válvula de gas del termostato (consulte la figura 17 o 18, página 50). Aplique en todas las uniones algún líquido de detección de fugas que no sea corrosivo. La formación de burbujas indicará una fuga.
5. Repare todas las fugas inmediatamente.
6. Encienda el calentador (consulte *Instrucciones de Encendido*). Revise el resto de las uniones internas para ver si hay fugas.
7. Apague el calentador (consulte *Cómo cerrar el suministro de gas al aparato*, en la página 53).


FUNCIONAMIENTO

POR SU SEGURIDAD, LEA ESTO ANTES DE ENCENDER EL CALENTADOR

 **ADVERTENCIA:** No seguir estas instrucciones al pie de la letra puede resultar en incendio o explosión que produzcan daños a la propiedad, lesiones físicas o la muerte.

- A. Este aparato tiene un piloto que se debe encender manualmente. Cuando encienda el piloto, siga estas instrucciones al pie de la letra.
- B. ANTES DE ENCENDERLO compruebe que alrededor del aparato no hay olor a gas. Asegúrese de oler también cerca del suelo, ya que algunos gases son más pesados que el aire y se asientan cerca del suelo.
QUÉ HACER SI PERCIBE OLOR A GAS
 - No intente encender ningún aparato.
 - No toque ningún interruptor eléctrico; no use ningún teléfono en el edificio.
- C. Utilice únicamente la mano para presionar o girar la perilla de control de gas. Nunca utilice herramientas. Si no puede presionar o girar la perilla manualmente, no intente repararla, llame a un técnico de servicio capacitado. Forzarla o tratar de repararla pueden producir un incendio o una explosión.
- D. No use este aparato si alguna de sus partes estuvo sumergida en agua. Llame inmediatamente a un técnico capacitado de servicio para que inspeccione el aparato y remplace las piezas del sistema de control y los controles de gas que hayan estado sumergidos en agua.

INSTRUCCIONES DE ENCENDIDO

1. ¡ALTO! Lea la información de seguridad.
2. Desatornille la tapa del encendedor e instale una batería AAA con el ánodo (+) apuntando hacia afuera. Vuelva a colocar la tapa.
3. Asegúrese de que la válvula de cierre del equipo esté completamente abierta.
4. Gire la perilla de control en dirección de las manecillas del reloj  hasta la posición OFF (apagado).

FUNCIONAMIENTO

- Espera cinco (5) minutos a que se disipe el gas. Luego acérquese para ver si percibe olor a gas, incluso cerca del suelo. Si percibe olor a gas, ¡DETÉNGASE! Siga el punto "B" en la información de seguridad en la página 18. Si no percibe olor a gas, continúe con el siguiente paso.
- Gire la perilla de control en sentido contrario de las manecillas del reloj ↶ hasta la posición PILOT (piloto). Presione la perilla de control durante cinco (5) segundos (consulte la Figura 19).

Nota: La perilla de control se debe presionar durante 30 segundos o más la primera vez que se hace funcionar el calentador después de conectarlo al suministro de gas. Esto permitirá que el aire salga del sistema de gas. En caso que el piloto no encienda, consulte la sección Solución de problemas, en la página 56. También, llame a un técnico de servicio calificado o a su proveedor de gas para que realicen las reparaciones necesarias. Hasta que se hagan las reparaciones, encender el piloto con un fósforo.

- Si al soltar la perilla de control ésta no regresa a su posición original, llame a un técnico de servicio calificado o a su proveedor de gas para que realicen las reparaciones necesarias.

- Presione la perilla de control y, al mismo tiempo, oprima y suelte el botón de encendido. Esto encenderá el piloto. El piloto está instalado en la parte posterior del quemador. El piloto puede ser visto a través de la parrilla. En caso necesario, continúe oprimiendo el botón de encendido hasta que el piloto encienda. *Nota: Si el piloto no se mantiene encendido, consulte la sección Solución de problemas, en la página 56. También contacte un técnico de servicio calificado o proveedor de gas para las reparaciones. Encienda el piloto con un fósforo hasta que se realicen las reparaciones. Para encender el piloto con un fósforo. Consulte el Procedimiento para encendido manual, en la página 53.*
- Una vez que haya encendido el piloto mantenga la perilla de control presionada

durante 30 segundos. Después de los 30 segundos, suelte la perilla de control. Si la perilla de control no aparecerá cuando se libera, póngase en contacto con un técnico de servicio calificado o proveedor de gas para las reparaciones.

Nota: Si el piloto se apaga, repita los pasos 3 al 7. Este calentador tiene un sistema de bloqueo de seguridad. Espere un (1) minuto antes de encender el piloto nuevamente.

- Gire la perilla de control en sentido contrario de las manecillas del reloj ↶ hasta la temperatura deseada. El quemador principal deberá encenderse. Los calentadores con control ma La perilla de control se puede colocar en cualquier nivel de calor entre 1 y 5.

⚠ PRECAUCIÓN: No intente ajustar los niveles de calefacción por medio de la válvula de cierre del equipo.

⚠ ADVERTENCIA: Si el tipo de entrada de gas es NG, asegúrese de que el quemador del piloto NG encienda. Si el tipo de entrada de gas es LP, asegúrese de que el quemador del piloto LP encienda.

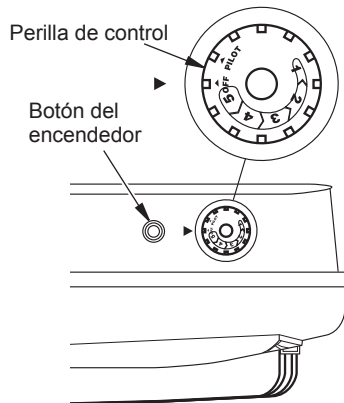


Figura 19 - Perilla de control en la posición OFF (apagado)

FUNCIONAMIENTO


FUNCIONAMIENTO DEL CONTROL CON TERMOSTATO

El control termostático que se usa en estos modelos es distinto de los termostatos convencionales. Los termostatos convencionales simplemente encienden y apagan el quemador. El termostato que se usa en este calentador detecta la temperatura de la habitación. Algunas veces, la temperatura de


la habitación puede ser mayor que la establecida. Si esto ocurre, el quemador se apagará. El quemador volverá a encenderse cuando la temperatura de la habitación disminuya por debajo de la temperatura que se estableció. La perilla de control se puede colocar en cualquier nivel de calor entre 1 y 5.

CÓMO CERRAR EL SUMINISTRO DE GAS AL APARATO

Cómo apagar el calentador

Gire la perilla de control en dirección de la manecillas del reloj  hasta la posición OFF (apagado).

Cómo apagar sólo el quemador el piloto (el piloto permanece encendido)

Gire la perilla de control en dirección de la manecillas del reloj  hasta la posición PILOT (piloto).

PROCEDIMIENTO PARA ENCENDIDO MANUAL

1. Siga los pasos 1 al 6 de las *Instrucciones de encendido*, página 51.
2. Con la perilla de control en la posición PILOT, encienda un cerillo, y sosténgalo cerca del piloto. Presione la perilla de control, el piloto debe encenderse.
3. Una vez que haya encendido el piloto mantenga la perilla de control presionada durante 30 segundos. Después de 30 segundos, suelte la perilla de control.

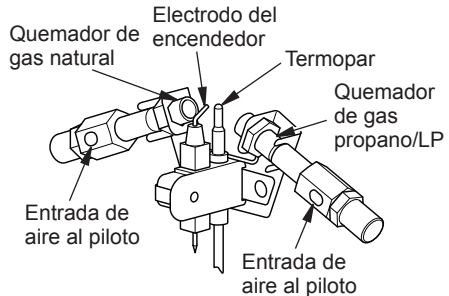


Figura 20 - Conjunto de piloto

INSTRUCCIONES PARA LAS BATERÍAS

⚠ PRECAUCIÓN: No mezcle baterías nuevas con usadas. No mezcle baterías alcalinas, estándar (carbono - zinc) o recargables (níquel - cadmio). No tire las baterías en el fuego. Las baterías pueden explotar o gotear.

- Las baterías están incluidas.
- Eliminar baterías cuando se agoten.
- Instalar/remplazar las baterías de acuerdo con el tipo y la cantidad que se indica en la tabla a continuación.
- No utilice pilas usadas y nuevas. Las pilas nuevas deben ser de la misma marca para obtener mejores resultados.
- Asegúrese de observar la polaridad (+/-) cuando instale o remplace las baterías. Daños debido a la instalación incorrecta de las baterías pueden anular la garantía del producto.
- Para sistemas de control remoto, maximizar la duración de la batería desactivando el receptor cuando no esté en uso.
- Por seguridad, retire las pilas de todos los componentes durante períodos largos de no-operación.

FUNCIONAMIENTO DEL VENTILADOR

Con el interruptor oscilante, encienda el soplador y compruebe el funcionamiento. Gire el interruptor oscilante hasta la posición deseada. En la posición **MAN** permanecerá constantemente encendido. La posición **AUTO** será controlada por el sensor de temperatura. Para detener el funcionamiento, gire el interruptor oscilante hasta la posición **O**.

INSPECCIÓN DE LOS QUEMADORES

IMPORTANTE: El propietario debe revisar frecuentemente los patrones de la llama del piloto y de la llama del quemador. Patrones de llama incorrectos indican la necesidad de limpieza o servicio de mantenimiento (consulte Cuidado y mantenimiento, página 55).

ADVERTENCIA: Sólo una persona de servicio capacitada debe repararlo o darle servicio. Esto incluye el mantenimiento requerido, refacciones o alteración de componentes.

PATRÓN DE LA LLAMA DEL PILOTO

La figura 21 muestra un patrón correcto de la llama del piloto. La figura 22 muestra un patrón incorrecto de la llama del piloto. La llama incorrecta del piloto no toca el termopar. Esto ocasionará que el termopar se enfríe. Cuando el termopar se enfríe, el calentador se apagará.

Si el patrón de la llama del piloto es incorrecto, como se muestra en la figura 22

- apague el calentador (consulte Cómo cerrar el suministro de gas al aparato, en la página 53).
- consulte Solución de problemas, en la página 56 a 60.

ADVERTENCIA: Si se presenta un color amarillo en las puntas de las llamas, el calentador puede producir niveles elevados de monóxido de carbono. Si el patrón de la flama del quemador muestra un color amarillo en las puntas, siga las instrucciones.

AVISO: no confunda las llamas anaranjadas con el color amarillo en las puntas. El polvo y otras partículas pequeñas se introducen al calentador y al quemarse producen breves manchas de llamas anaranjadas.

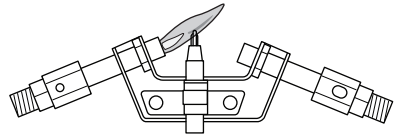


Figura 21 - Patrón correcto de la llama del piloto (gas natural)

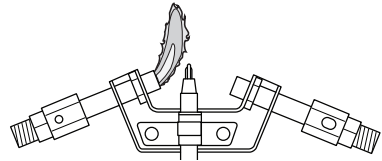


Figura 22 - Patrón incorrecto de la llama del piloto (gas natural)

PATRÓN DE LA LLAMA DEL QUEMADOR

En la figura 23 se muestra el patrón correcto de la flama del quemador. En la figura 24 se muestra un patrón incorrecto de la flama del quemador. El patrón incorrecto de la llama del quemador produce las puntas amarillas de las llamas. También muestra llamas más altas que la mitad de la altura del panel de vidrio.

Si el patrón de la llama del quemador es incorrecto, como se muestra en la figura 24

- apague el calentador (consulte Cómo cerrar el suministro de gas al aparato, en la página 53).
- consulte Solución de problemas, en la página 56 a 60.

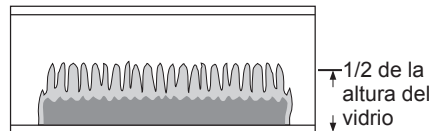


Figura 23 - Patrón correcto de la flama del quemador

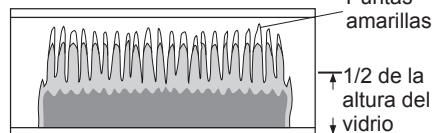


Figura 24 - Patrón incorrecto de la flama del quemador

CUIDADO Y MANTENIMIENTO

⚠ ADVERTENCIA: Apague el calentador y deje que se enfríe antes de darle mantenimiento.

⚠ PRECAUCIÓN: Debe mantener limpias las áreas de control, el quemador y las vías de circulación de aire del calentador. Inspeccione estas áreas del calentador antes de cada uso. Haga que una persona de servicio calificada inspeccione el calentador una vez al año. Es posible que el calentador requiera de limpieza más frecuente a causa del exceso de pelusa proveniente de alfombras, de camas, de pelo de mascotas, etc.

⚠ ADVERTENCIA: No mantener limpias las entradas principales de aire puede facilitar la producción de hollín y producir daños a la propiedad.

QUEMADOR PRINCIPAL

Inspeccione periódicamente todos los orificios de llamas del quemador con el calentador en funcionamiento. Todos los orificios de ranura del quemador deben estar abiertos y su llama debe ser amarilla. Todos los orificios para las llamas redondos del quemador deben estar abiertos y su llama debe ser pequeña y

azul. Algunos orificios del quemador pueden bloquearse con desechos u óxido y no hay llama. Si es así, apague el calentador y déjelo enfriar; luego, elimine el bloqueo o remplace el quemador. Si los orificios del quemador se bloquean, se producirá hollín.

SUJETADOR DEL INYECTOR DEL QUEMADOR Y ORIFICIO DE ENTRADA DE AIRE DEL PILOTO

Recomendamos limpiar la unidad cada tres meses o después de 2.500 horas de uso. También se recomienda que mantenga el quemador y el piloto limpio y libre de polvo y suciedad. Para limpiar estas piezas, se recomienda que use aire comprimido a una presión no mayor de 30 PSI. Es posible que la tienda local de equipo de cómputo, ferretería o de mejoras al hogar tengan aire comprimido en latas. Puede usar una aspiradora en la posición de aire. Si utiliza aire comprimido en lata, siga las instrucciones que aparecen en la lata. Si no sigue las instrucciones escritas en la lata, puede dañar el ensamble del piloto.

1. Apague la unidad incluyendo el piloto. Deje que la unidad se enfríe durante 30 minutos por lo menos.

2. Inspeccione el quemador, el piloto y los orificios de entrada de aire principales del inyector en busca de polvo y suciedad.
3. Haga pasar aire a través de los orificios o las ranuras y de los orificios del quemador. También limpie el ensamble del piloto.
4. Revise nuevamente el sujetador del inyector que se encuentra en el extremo del tubo del quemador. Retire cualquier partícula grande de polvo, suciedad, pelusa o pelo de mascotas con un paño suave o con la boquilla de una aspiradora.
5. Haga pasar aire por los orificios principales del sujetador del inyector.
6. En caso de que una obstrucción grande o polvo haya sido empujada hacia el interior del quemador repita los pasos 3 y 4.

CUIDADO Y MANTENIMIENTO

ODS/PILOTO

Utilice una aspiradora, aire comprimido o un cepillo pequeño, de cerdas suaves para limpiarlos.

Si la llama del piloto tiene la punta amarilla, indica la presencia de polvo y suciedad en el ensamble del piloto. Hay un pequeño orificio de entrada de aire al piloto, aproximadamente de 5 cm (2") de diámetro de donde sale la llama del piloto (consulte la figura 25). Con la unidad apagada, haga pasar aire ligeramente a través del orificio de entrada de aire. Si no cuenta con aire comprimido, puede soplar a través de una pajilla o popote.

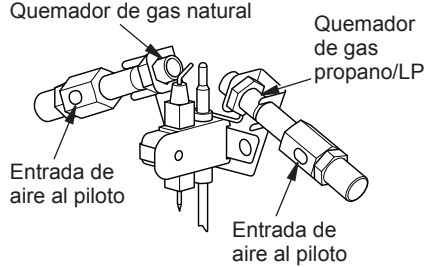


Figura 25 - Orificio de entrada de aire al piloto

GABINETE

Conductos de aire

Utilice una aspiradora o aire comprimido para limpiarlos.

Exterior

- Utilice un paño humedecido con una mezcla de agua y jabón suave.
- Frote el gabinete para quitar el polvo.

SOLUCIÓN DE PROBLEMAS

⚠ ADVERTENCIA: Si percibe olor a gas

- Cierre el suministro de gas.
- No intente encender ningún aparato.
- No toque ningún interruptor eléctrico; no use ningún teléfono en el edificio.
- Llame inmediatamente a su proveedor de gas desde el teléfono de algún vecino. Siga las instrucciones del proveedor de gas.
- Si no puede localizar al proveedor de gas, llame al departamento de bomberos.

⚠ ADVERTENCIA: Sólo una persona de servicio capacitada debe reparar la calentador y darle servicio. Asegúrese de que el equipo está apagado antes de proceder. Apague y deje que se enfríe antes de darle servicio.

⚠ PRECAUCIÓN: Nunca utilice un alambre, aguja u objetos parecidos para limpiar el piloto/ODS. Esto puede dañar la unidad de piloto/ODS.

IMPORTANTE: Si hace funcionar el calentador donde existen impurezas en el aire se pueden producir olores. Los productos de limpieza, pintura, solventes de pintura, humo de cigarro, cementos y pegamentos, alfombras o textiles nuevos, etc., producen gases. Estos gases se pueden mezclar con el aire que se utiliza para la combustión y producir olores.

Nota: Todos los puntos para solución de problemas se listan en orden de funcionamiento.

SOLUCIÓN DE PROBLEMAS

Problema	Causa Posible	Acción correctiva
Cuando se presiona el botón del encendedor, no hay chispa en el piloto/ODS.	<ol style="list-style-type: none"> 1. Electrodo de encendido está mal colocado. Electrodo de encendido está roto. 2. El electrodo del encendedor no está conectado al cable del encendedor. 3. El cable del encendedor está comprimido o mojado. 4. El cable del encendedor está roto. 5. El encendedor piezoeléctrico está defectuoso. 6. Batería baja. 	<ol style="list-style-type: none"> 1. Remplace el electrodo del encendedor. 2. Remplace el cable del encendedor. 3. Libere el cable del encendedor si algún metal o tubería lo está comprimiendo. Mantenga seco el cable del encendedor. 4. Remplace el cable del encendedor. 5. Remplace el encendedor piezoeléctrico. 6. Remplace la batería.
Cuando se presiona el botón del encendedor, hay chispa en el piloto/ODS pero no se enciende.	<ol style="list-style-type: none"> 1. El suministro de gas está cerrado o la válvula de cierre del equipo está cerrada. 2. La perilla de control no se presionó del todo al pulsar el botón de encendido. 3. Quedó aire en las líneas de gas (nueva instalación o interrupción gas reciente). 4. El piloto/ODS está tapado. 5. La presión de gas es inadecuada o el regulador de entrada de gas está dañado. 6. La perilla de control no está en la posición PILOTO. 7. Se agotó el suministro de gas (gas propano/LP únicamente). 	<ol style="list-style-type: none"> 1. Abra el suministro de gas o la válvula de cierre del equipo. 2. Presione la perilla de control del todo al pulsar el botón de encendido. 3. Mantenga presionada la perilla de control. Repita el encendido hasta que se haya eliminado el aire. 4. Limpie el piloto/ODS (consulte <i>Cuidado y mantenimiento</i>, en la página 55) o cambie el ensamble del piloto/ODS. 5. Revise la presión de entrada de gas o remplace el regulador de entrada de gas. 6. Gire la perilla de control a la posición PILOTO. 7. Comuníquese con la compañía local de gas propano/LP.

SOLUCIÓN DE PROBLEMAS

Problema	Causa Posible	Acción correctiva
El piloto/ODS se enciende pero la llama se extingue cuando la perilla de control se suelta.	<ol style="list-style-type: none"> 1. La perilla de control no está presionada completamente. 2. La perilla de control no se presionó durante el tiempo suficiente. 3. La válvula de cierre del equipo no está totalmente abierta. 4. La conexión del termopar está floja en la válvula de control. 5. La llama del piloto no está tocando el termopar, lo que hace que el termopar se enfríe y ocasiona que la llama del piloto se extinga. Este problema puede ser ocasionado por alguna de las siguientes condiciones o por ambas: A) Baja presión del gas B) El piloto/ODS está sucio o parcialmente tapado 6. El termopar está dañado. 7. La válvula de control está dañada. 	<ol style="list-style-type: none"> 1. Presione la perilla de control completamente. 2. Después de que el piloto/ODS se encienda, mantenga la perilla de control presionada durante 30 segundos. 3. Abra la válvula de cierre del equipo totalmente. 4. Apriete con la mano hasta que sienta que topa, luego apriete 1/4 de vuelta más. 5. A) Comuníquese con la compañía local de gas natural o de gas propano/LP B) Limpie el piloto/ODS (consulte <u>Cuidado y mantenimiento</u>, en la página 55) o remplace el ensamble del piloto/ODS. 6. Remplace el termopar. 7. Remplace la válvula de control.
El quemador no se enciende después de que el piloto/ODS se enciende.	<ol style="list-style-type: none"> 1. El orificio del quemador está tapado. 2. El diámetro del orificio del quemador es demasiado pequeño. 3. La entrada de la presión de gas es demasiado baja. 	<ol style="list-style-type: none"> 1. Limpie el quemador (consulte <u>Cuidado y mantenimiento</u>, en la página 55) o remplace el quemador. 2. Remplace el orificio del quemador. 3. Contacte a su proveedor local de gas.
Encendido demorado del quemador.	<ol style="list-style-type: none"> 1. La presión del tubo múltiple es muy baja. 2. El orificio del quemador está tapado. 	<ol style="list-style-type: none"> 1. Contacte a su proveedor local de gas. 2. Limpie el quemador (consulte <u>Cuidado y mantenimiento</u>, en la página 55) o remplace el orificio del quemador.
El quemador presenta llamas de retorno durante la combustión.	<ol style="list-style-type: none"> 1. El orificio del quemador está tapado o dañado. 2. El quemador está dañado. 3. El regulador de gas está defectuoso. 	<ol style="list-style-type: none"> 1. Limpie el quemador (consulte <u>Cuidado y mantenimiento</u>, en la página 55) o remplace el orificio del quemador. 2. Remplace el quemador. 3. Remplace el regulador de gas.

SOLUCIÓN DE PROBLEMAS

Problema	Causa Posible	Acción correctiva
Llamas amarillas alta durante la combustión en el quemador.	<ol style="list-style-type: none"> 1. No hay suficiente aire. 2. El regulador de gas está defectuoso. 3. La entrada de la presión de gas es demasiado baja. 	<ol style="list-style-type: none"> 1. Revise el quemador en busca de polvo y residuos. Si los hay, limpie el quemador (consulte <u>Cuidado y mantenimiento</u>, en la página 55). 2. Remplace el regulador de gas. 3. Contacte a su proveedor local de gas.
Hay olor a gas durante la combustión.	<ol style="list-style-type: none"> 1. Hay material extraño entre la válvula de control y el quemador. 2. Fugas de gas. Consulte la anotación de Advertencia, página 56. 	<ol style="list-style-type: none"> 1. Comuníquese con un técnico de servicio capacitado para eliminar los materiales extraños. 2. Localice y repare todas las fugas (consulte <u>Revisión de las conexiones de gas</u>, en la página 50).
Hay un poco de humo u olor durante el funcionamiento inicial.	<ol style="list-style-type: none"> 1. Residuos del proceso de manufactura y ahumado del leño. 	<ol style="list-style-type: none"> 1. El problema desaparecerá después de algunas horas de funcionamiento.
El calentador produce un silbido cuando el quemador está encendido.	<ol style="list-style-type: none"> 1. Se giró la perilla de control a la posición alto (5) cuando el quemador estaba frío. 2. Hay aire en la tubería de gas. 3. Los pasajes de aire del calentador están bloqueados. 4. El orificio del quemador está sucio o parcialmente obstruido. 	<ol style="list-style-type: none"> 1. Gire la perilla de control a la posición bajo (1) y deje que se caliente durante un minuto. 2. Haga funcionar el quemador hasta que se elimine el aire de la tubería. Pida a la empresa proveedor local de gas que revise la línea de gas. 3. Respete las distancias mínimas de instalación (consulte Figura 3, página 43) 4. Limpie el quemador (consulte <u>Cuidado y mantenimiento</u>, en la página 55) o remplace el orificio del quemador.
El calentador produce un ruido de chasquidos o golpeteos metálicos justo después de que el quemador se enciende o se apaga.	<ol style="list-style-type: none"> 1. Los metales se dilatan al calentarse y se contraen al enfriarse. 	<ol style="list-style-type: none"> 1. Esto es normal en la mayoría de los calentadores. Si el ruido es excesivo, comuníquese con una persona de servicio capacitada.
Se forma un residuo de polvo blanco dentro de la caja del quemador o en las paredes o muebles contiguos.	<ol style="list-style-type: none"> 1. Cuando se calientan, los vapores provenientes de los pulidores de muebles, cera, limpiadores de alfombras, etc., pueden convertirse en residuos de polvo blanco. 	<ol style="list-style-type: none"> 1. Apague la calentador cuando utilice pulidores de muebles, ceras, limpiadores de alfombras o productos parecidos.

SOLUCIÓN DE PROBLEMAS

Problema	Causa Posible	Acción correctiva
El calentador produce olores no deseados.	<ol style="list-style-type: none"> 1. En el calentador se están quemado vapores provenientes de pintura, fijador para el cabello, pegamentos, productos de limpieza, productos químicos, alfombras nuevas, etc. (Consulte la nota IMPORTANTE pagina 56). 2. Fugas de gas. Consulte la anotación de Advertenci, página 56. 3 Hay poco suministro de combustible. 	<ol style="list-style-type: none"> 1. Abra la ventana para ventilar la habitación. Deje de utilizar los productos que ocasionan el olor mientras el calentador esté funcionando. 2. Localice y repare todas las fugas (consulte <u>Revisión de las conexiones de gas</u>, en la página 50). 3. Surta nuevamente el tanque de suministro (gas propano/ LP únicamente).
El calentador se apaga mientras se está usando (el ODS funciona).	<ol style="list-style-type: none"> 1. No hay suficiente aire fresco. 2. Hay poca presión en la tubería. 3. El piloto/ODS está parcialmente tapado. 	<ol style="list-style-type: none"> 1. Abra la ventana y/o la puerta para proporcionar ventilación. 2. Contacte a su proveedor local de gas. 3. Limpie el piloto/ODS (consulte <u>Cuidado y mantenimiento</u>, en la página 55).
Hay olor a gas incluso cuando la perilla de control está en la posición OFF (apagado).	<ol style="list-style-type: none"> 1. Fugas de gas. Consulte la anotación de Advertencia, página 56. 2. La válvula de control está defectuosa. 	<ol style="list-style-type: none"> 1. Localice y repare todas las fugas (consulte <u>Revisión de las conexiones de gas</u>, en la página 50). 2. Remplace la válvula de control.
Se observa humedad o condensación en las ventanas.	<ol style="list-style-type: none"> 1. No hay suficiente aire para combustión o ventilación. 	<ol style="list-style-type: none"> 1. Consulte los requisitos de <u>Aire para combustión y ventilación</u>, página 39.

PIEZAS DE REPUESTO

Nota: use sólo piezas de repuesto originales. Esto protegerá la cobertura de su garantía para partes reemplazadas bajo la garantía.

PIEZAS CON GARANTÍA

Comuníquese con los distribuidores autorizados de este producto. Si no pueden proporcionarle las piezas originales de repuesto, llame gratis al Departamento de Servicio al Cliente al 1-866-573-0674 para obtener información de referencia.

Cuando llame a Servicio al Cliente, tenga preparados:

- su nombre,
- su dirección
- los números de modelo y de serie de su calentador,
- la falla del calentador,
- El tipo de gas utilizado (propano/PL o gas natural/GN)
- la fecha de compra

Por lo general, le pediremos que devuelva la pieza a la fábrica.

PIEZAS SIN GARANTÍA

Comuníquese con los distribuidores autorizados de este producto. Si no pueden suministrarle piezas de repuesto originales, llame gratis al Departamento de Servicio al Cliente al 1-866-573-0674 para obtener información de referencia.

Cuando llame a Servicio al Cliente, tenga preparados:

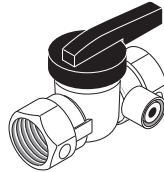
- los números de modelo y de serie de su calentador,
- el número de la pieza de repuesto.

ACCESORIOS

Adquiera estos accesorios con su distribuidor local. Si no pueden proporcionarle estos accesorios, comuníquese ProCom Heating, Inc. al 1-866-573-0674 para obtener información.

VÁLVULA DE INTERRUPCIÓN DE EQUIPOS

Para todos los modelos. Válvula de interrupción de equipos con 1/8". Llave de paso del TNP.



CONSEJOS PARA SERVICIO

Cuando la presión del gas de entrada sea muy baja

- El piloto no permanecerá encendido.
- El quemador tendrá un retraso durante el encendido.
- El calentador no producirá el calor especificado.
- El suministro de gas propano/LP puede ser bajo.

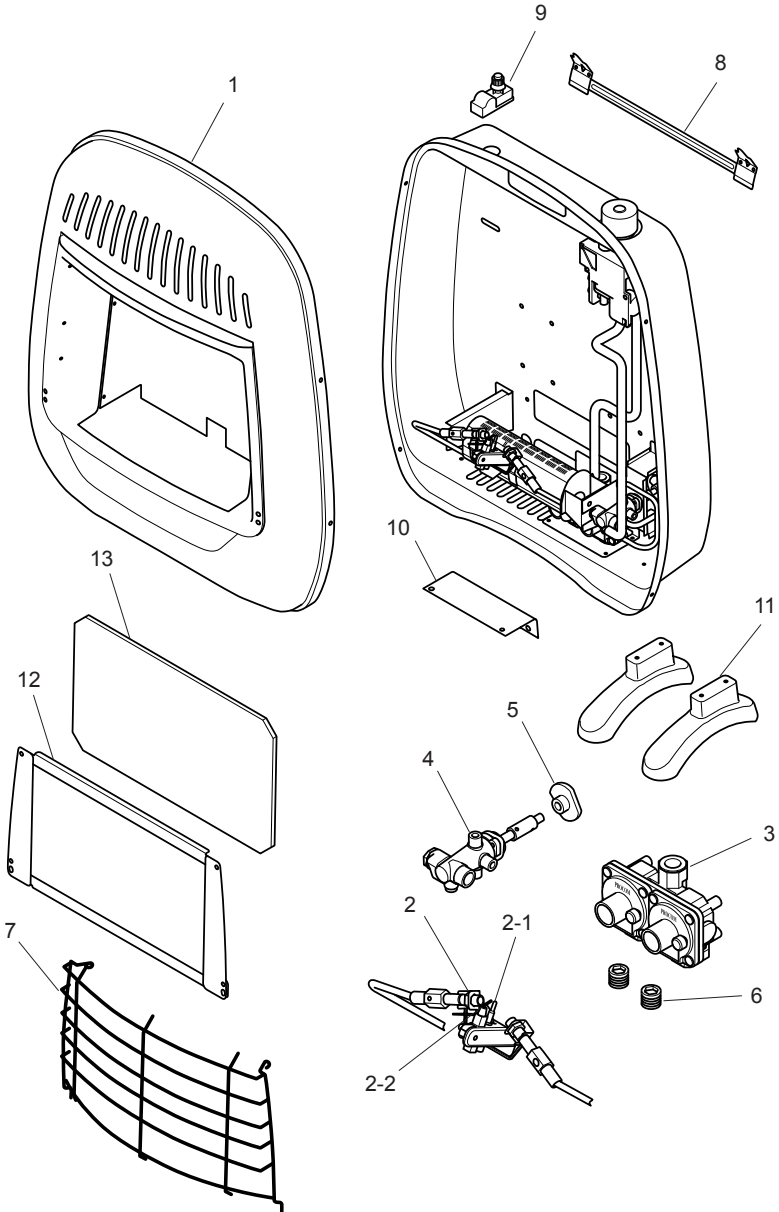
Posiblemente piense que la presión del gas es muy baja. Si es así, comuníquese con el proveedor local de gas.

SERVICIO TÉCNICO

Es posible que tenga preguntas adicionales sobre la instalación, el funcionamiento o la solución de problemas. De ser así, póngase en contacto con ProCom Heating, Inc. al 1-866-573-0674. Al llamar tenga a la mano los números de modelo y serie de su calentador.

PIEZAS

MODELO MD100TBF



PIEZAS

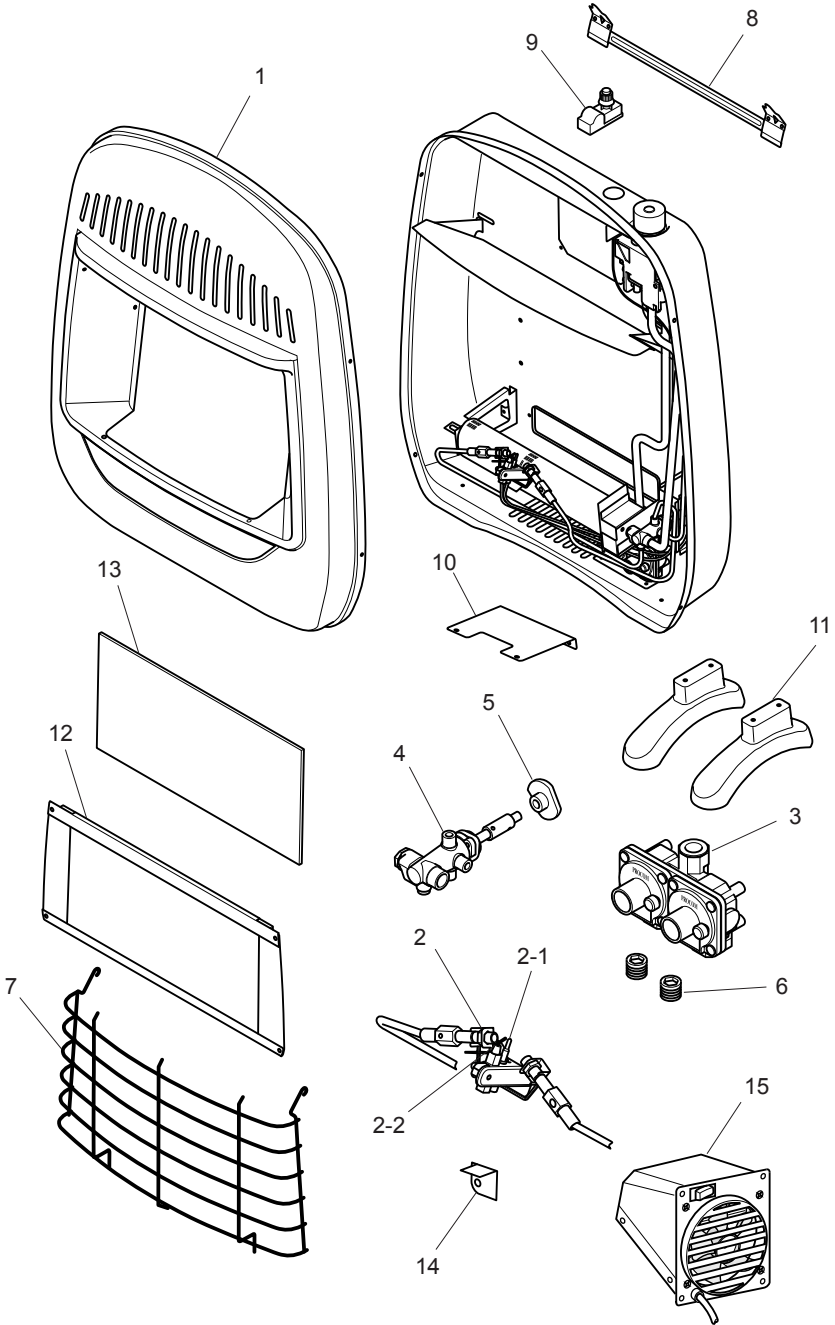
MODELO MD100TBF

Esta lista contiene las piezas reemplazables utilizadas en el calentador. Al hacer un pedido de piezas, siga las instrucciones listadas en Piezas de repuesto en la página 61 de este manual.

Artículo	Pieza #	Descripción	Cant.
1	MEL210-01A-CG-ASMB	Cubierta fronta	1
2	NDD0308-600-1	Piloto/ODS	1
2-1	ND0803-6	Termopar	1
2-2	ND0807-01	Electrodo	1
3	RV83FI-4-9	Regulador de presión	1
4	LHY-00-100-B	Dispositivo de selección de combustible	1
5	MDL304B	Perilla dispositivo de selección de combustible	1
6	PF120820	Tapón de regulador	2
7	MEL2700A	Protector de rejilla	1
8	MB060-02	Abrazadera de montaje	1
9	PIMSC1-01	Ensamble del encendedor	1
10	MEL232	Soporte inferior	1
11	MEL282-CG	Base	2
12	MEB2300	Ensamble del panel de vidrio	1
13	MEL295	Vidrio	1
PIEZAS DISPONIBLES - NO SE MUESTRAN			
	MEB5201-01	Hardware de paquete	1
	MEB5201-02	Batería/llave de paquete	1

PIEZAS

MODELO MD200TBF



PIEZAS

MODELO MD200TBF

Esta lista contiene las piezas reemplazables utilizadas en el calentador. Al hacer un pedido de piezas, siga las instrucciones listadas en Piezas de repuesto en la página 61 de este manual.

Artículo	Pieza #	Descripción	Cant.
1	MEB301-01A-CG	Cubierta fronta	1
2	NDD0308-800-1	Piloto/ODS	1
2-1	ND0803-8	Termopar	1
2-2	ND0807-01	Electrodo	1
3	RV83FI-4-9	Regulador de presión	1
4	LHY-00-B	Dispositivo de selección de combustible	1
5	MDL304B	Perilla dispositivo de selección de combustible	1
6	PF120820	Tapón de regulador	2
7	MEL3133B	Protector de rejilla	1
8	MEB060-3P-CG	Abrazadera de montaje	1
9	PIMSC1-01	Ensamble del encendedor	1
10	MEL5104	Soporte inferior	1
11	MEL514-CG	Base	2
12	MEB316	Ensamble del panel de vidrio	1
13	MEL315	Vidrio	1
14	ML105-03D	ODS protector	
15	PF06-YJLF-B	Soplador	1
PIEZAS DISPONIBLES - NO SE MUESTRAN			
	MEB5201-01	Hardware de paquete	1
	MEB5201-02	Batería/llave de paquete	1
	NFLZ004	Sensor del ventilador de montaje	1

NOTAS

NOTAS

GARANTÍA

GUARDE ESTA GARANTÍA

Modelo _____

Número de serie _____

Fecha de compra _____

Conserve su recibo para la verificación de la garantía.

REGISTRE SU PRODUCTO EN WWW.USAPROCOM.COM

IMPORTANTE: Le pedimos que registre su producto dentro de los 10 días de la fecha de instalación, lleve a cabo con el número de serie completa que se puede encontrar en la placa de características. Por favor llene la información anterior garantía para sus archivos personales. Conserve este manual para futuras consultas.

Siempre especifique números de serie y modelo cuando se comunice con servicio al cliente.

Nos reservamos el derecho a modificar estas especificaciones en cualquier momento sin previo aviso. La única garantía aplicable es nuestra garantía escrita estándar. No hacemos ninguna otra garantía, expresa o implícita.

GARANTÍA LIMITADA

ProCom Heating, Inc. garantiza que este producto estará libre de defectos en los materiales y componentes por TREINTA (30) días a partir de la fecha de la primera compra, siempre que el producto ha sido correctamente instalado por personal calificado de conformidad con todos los códigos locales e instrucciones de la unidad, operado y mantenido de conformidad con todas las instrucciones aplicables. Para hacer un reclamo bajo esta garantía, la factura de venta o cheque cancelado deberá presentarse.

RESPONSABILIDAD DEL PROPIETARIO

Esta garantía se extiende sólo al comprador original. Esta garantía cubre el costo de las piezas necesarias para restaurar este calentador y dejarlo en buen estado de funcionamiento. Las piezas de garantía deben obtenerse a través de ProCom Heating, Inc. que ofrece piezas originales de fábrica. No utilizar repuestos originales de fábrica anula esta garantía. El calentador debe ser instalado por personal calificado de conformidad con todos los códigos locales e instrucciones de la unidad.

LO QUE NO ESTÁ CUBIERTO

Esta garantía no se aplica a piezas que no están en condición original debido a desgaste normal o que o se dañen debido a mal uso, accidentes, falta de mantenimiento adecuado o defectos causados por la instalación incorrecta. Viajes, costo de diagnóstico, trabajo, transporte y todos los gastos relacionados con la reparación de un calentador defectuoso será responsabilidad del propietario.

EN LA MEDIDA PERMITIDA POR LA LEY DE LA JURISDICCIÓN QUE RIGE LA VENTA DEL PRODUCTO, ESTA GARANTÍA EXPRESA EXCLUYE CUALQUIERA Y TODAS LAS OTRAS GARANTÍAS EXPRESADAS Y LIMITA LA DURACIÓN DE CUALQUIER GARANTÍA IMPLÍCITA. INCLUIDAS LAS GARANTÍAS DE COMERCIABILIDAD E IDONEIDAD PARA UN PROPÓSITO EN PARTICULAR DE TREINTA (30) DÍAS EN TODOS LOS COMPONENTES A PARTIR DE LA FECHA DE LA PRIMERA COMPRA. LA RESPONSABILIDAD DE PROCOM HEATING, INC. QUEDARÁ LIMITADA AL PRECIO DE COMPRA DEL PRODUCTO Y PRO-COM NO SERÁ RESPONSABLE POR CUALQUIER OTRO DAÑO INCLUYENDO DAÑOS INDIRECTOS. DAÑOS INCIDENTALES O CONSECUENTES.

Algunos Estados no permiten una limitación sobre cuánto tiempo una garantía implícita dura o una exclusión o limitación de daños fortuitos o consecuentes, la limitación anterior sobre las garantías implícitas o la exclusión o limitación de daños puede no aplicarse a usted.

Esta garantía le otorga derechos legales específicos, y usted también puede tener otros derechos que varían de Estado a estado.



ProCom Heating, Inc.
Bowling Green, KY 42101
www.usaprocom.com
1-866-573-0674

200031-01
Rev. B
05/13