

FIB100 BLOWER ACCESSORY INSTALLATION INSTRUCTIONS



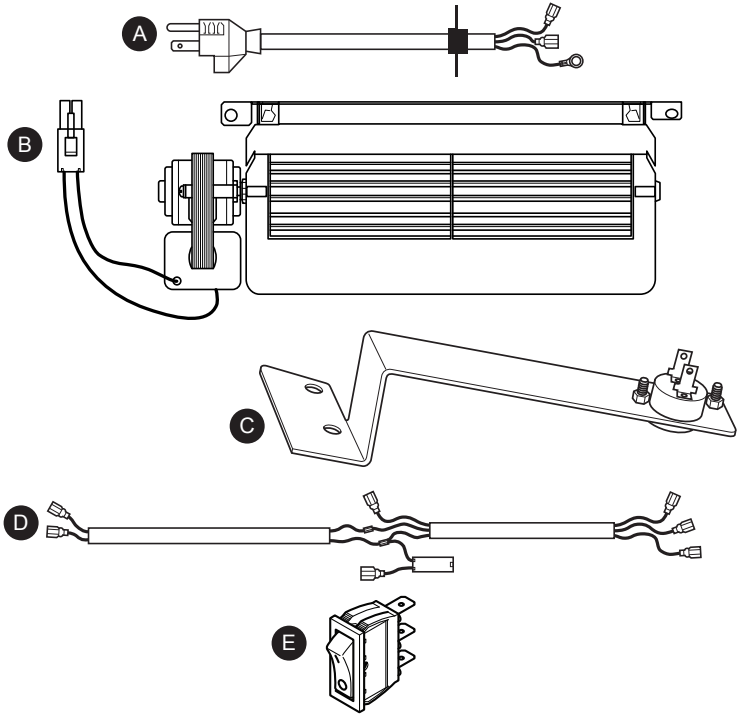
Spanish/Español
Page 13

⚠ WARNING: ELECTRICAL GROUNDING INSTRUCTIONS This appliance is equipped with a three-prong (grounding) plug for your protection against shock hazard and should be plugged directly into a properly grounded three-prong receptacle.



Questions, problems, missing parts? Before returning to your retailer, call our customer service department at 1-866-573-0674, 8:00 am - 4:45 pm EST, Monday through Friday or email contact@usaprocom.com

PACKAGE CONTENTS

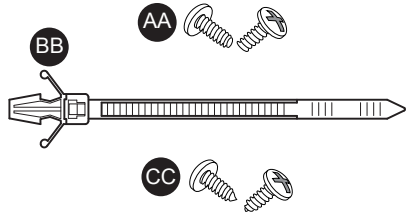


Parts included with this kit

Item	Part No.	Description	Qty
A	XB001-01	Power Cord	1
B	XB002-01F	Blower	1
C	XB003-01	Temperature Sensor	1
D	XB004-01F	Connect Wire	1
E	PF06-0400-A	Rocker Switch	1

Hardware

Item	Part No.	Description	Qty
AA	GB/T 845-4.2*9.5F	M4.2x8 Screw	6
BB	VL057-01	Cable Tie	6
CC	4*8	M4.0x8 Screw	1



If any of these pieces are missing or damaged call ProCom Heating, Inc. at 1-866-573-0674 for referral information.

SAFETY

IMPORTANT: Read all instructions and warnings carefully before starting installation. Failure to follow these instructions may result in a possible electric shock, fire hazard and will void the warranty.

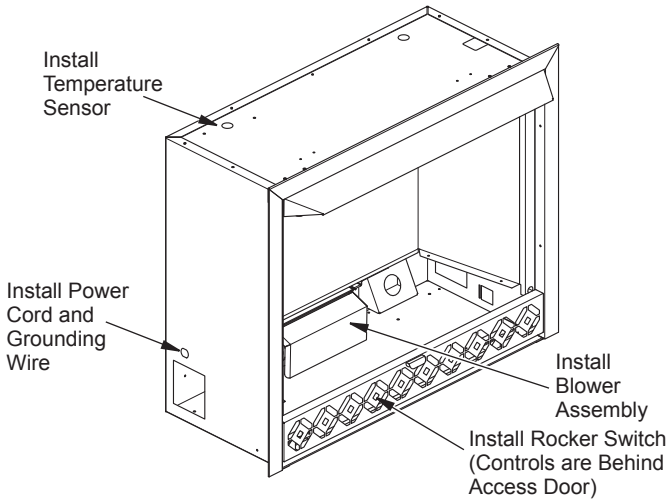
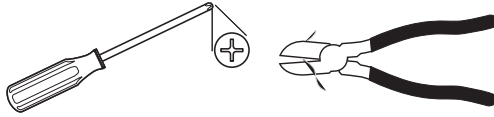
- Read all instructions before using this appliance.
 - If possible always unplug this appliance when not in use.
 - Do not operate any heater with a damaged cord or plug or after the appliance malfunctions, has been dropped or damaged in any manner.
 - Any repairs to this appliance should be carried out by a qualified service person.
 - Under no circumstances should this appliance be modified. Parts having to be removed for servicing must be replaced prior to operating this appliance again.
 - Do not use outdoors.
 - Never locate this appliance where it may fall into a bathtub or other water container.
 - Do not run cord under carpeting. Do not cover cord with throw rugs, runners or the like. Arrange cord away from traffic areas and where it will not be tripped over.
 - To disconnect this appliance, turn controls to the off position, then remove plug from outlet.
- Connect to properly grounded outlets only.
 - This appliance, when installed must be electrically grounded in accordance with local codes, with the current *CSA C22.1 Canadian Electrical Codes* or for USA installations, follow local codes and the *National Electric Code, ANSI/NFPA No. 70*.
 - Do not insert or allow foreign objects to enter any ventilation or exhaust opening as this may cause an electric shock, fire or damage the appliance.
 - To prevent possible fire, do not block air intakes or exhaust in any manner.
 - Use this appliance only as described in this manual. Any other use not recommended by the manufacturer may cause fire, electric shock or injury to persons.
 - Avoid the use of an extension cord because of the risk of overheating the cord and the risk of fire. Extension cords are for temporary use only. If an extension cord must be used, it must be UL/CSA certified, rated at 10A (1250W), 125V maximum with 16 AWG minimum and constructed of two current carrying conductors with ground. A heavy duty extension cord with the shortest length possible for the connection is recommended and must not be longer than 50 ft. (15.2 m). Do not coil or cover the extension cord.

PREPARATION

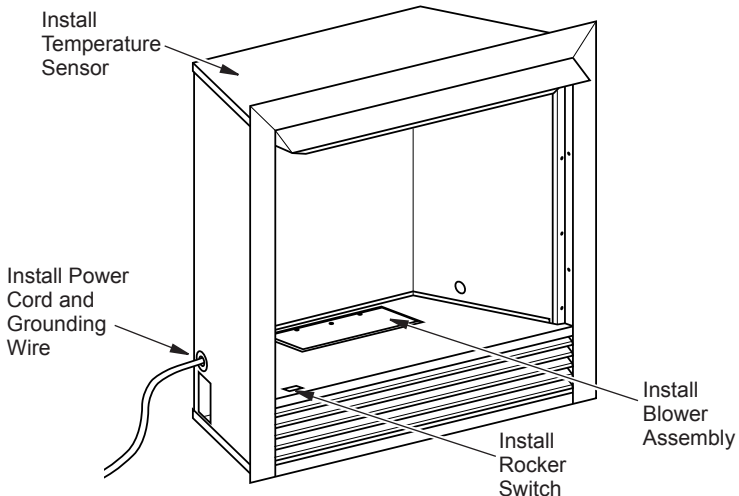
Note: This blower contains assembly instructions for the following models and item numbers. For the FBD28 and FBD32 series, FBNSD28T, FDF300R, FDF300T, FDI32-A, PC32VFC, PC36VFC and CRHFD28TCM-6-AU, CRHFD32RT-M-MO.

Tools Required

- Phillips Screwdriver
- Wire Cutter



**Blower Assembly Installation Position for
FBD28 and FBD32 Series, FBNSD28T, FDF300R, FDF300T, FDI32-A,
CRHFD28TCM-6-AU, CRHFD32RT-M-MO, Only**



Blower Assembly Installation Position for PC32VFC and PC36VFC Series Only

INSTALLING TEMPERATURE SENSOR

⚠ WARNING: Before installing the blower, be certain to turn off the unit, and allow time for unit to cool down.

1. Remove upper firebox by unscrewing left and right screws on the firebox (see Figure 1).

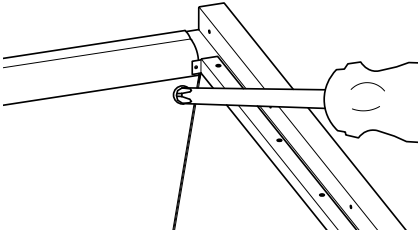


Figure 1 - Remove Upper Firebox

2. Unscrew two screws on heat insulation board cover (see Figure 2).

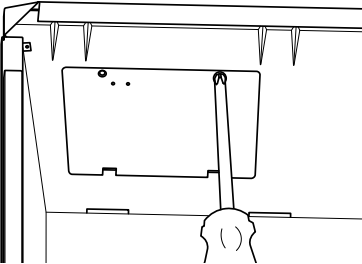


Figure 2 - Remove Heat Insulation Board Cover

3. Affix temperature sensor to heat insulation board cover with two M4.2X8 screws (AA).

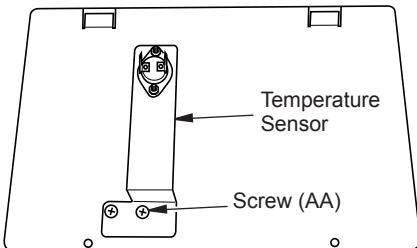


Figure 3 - Attach Temperature Sensor to Heat Insulation Board

4. Insert wires into the space between wire protecting board and shell. Attach the wires to the top cover with wire routing clip.

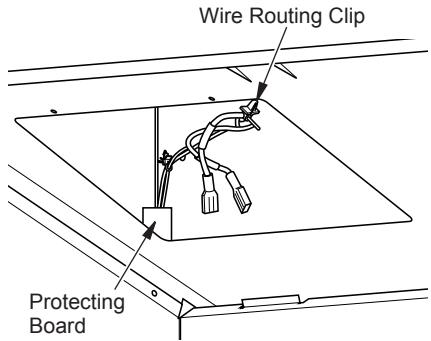


Figure 4 - Attaching Wiring

5. Connect wires to temperature sensor as shown in Figure 5.
6. Reinstall heat installation board cover with 2 screws (see Figure 2).
7. Replace upper firebox using 2 screws removed in step 1.

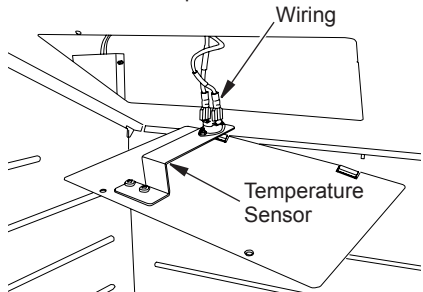


Figure 5 - Connecting Wires to Temperature Sensor

INSTALLING BLOWER ASSEMBLY

FBD28 and FBD32 Series, FBNSD28T, FDF300R, FDF300T, FDI32-A, CRHFD28TCM-6-AU, CRHFD32RT-M-MO Only

1. **CRHFD32RT-M-MO, FBD32 Series and FDI32-A Only** Remove 2 screws securing panel as shown in Figure 6. Remove panel to gain access to blower compartment.

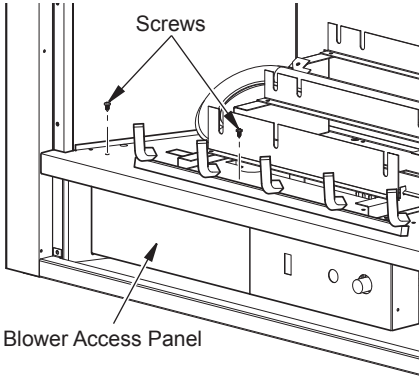


Figure 6 - Removing Blower Access Panel

CRHFD28TCM-6-AU, CRHFD32RT-M-MO, FBD28 and FBD32 Series, FBNSD28T, FDF300R, FDF300T and FDI32-A Only

2. Insert blower into the bottom space of burner pan. Pay attention not to touch wires inside (see Figure 7).

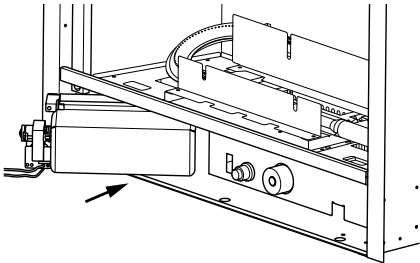


Figure 7 - Inserting Blower into Fireplace

3. Set blower plane and attach to two brackets of shell board. Make sure blower is installed into the slots (see Figure 8).

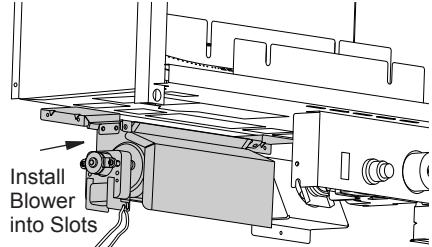


Figure 8 - Positioning Blower Assembly to Shell Board

4. Attach blower with M4.0X8 screws (CC), after manually installing it into slots, (see Figure 9).

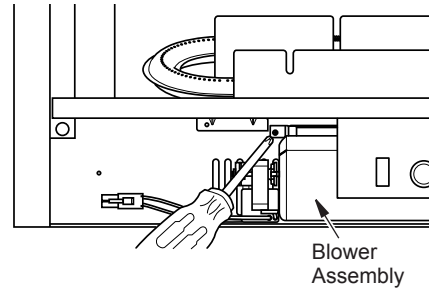


Figure 9 - Installing Blower Assembly

INSTALLING BLOWER ASSEMBLY

PC32VFC and PC36VFC Series Only

1. Remove blower access panel (see Figure 10).
2. Mount blower onto blower access panel, (see Figure 11).

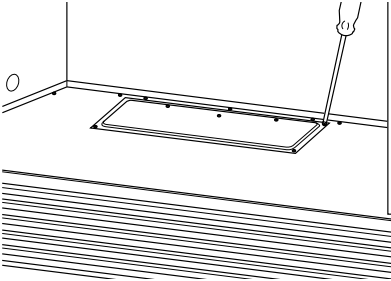


Figure 10 - Removing Blower Access Panel

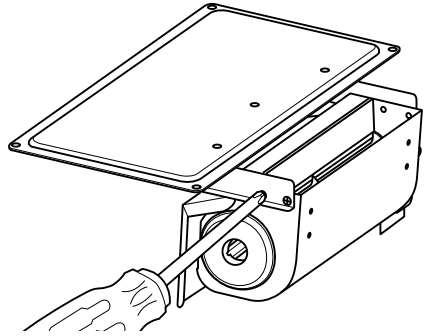


Figure 11 - Attaching Blower Assembly to Blower Access Panel

3. Carefully insert blower and wiring through access hole. Reinstall blower access panel with screws removed in step 1.

CONNECTING POWER SUPPLY

1. Insert power cord wires through hole in side of firebox.
2. Attach the power cord to the fireplace with three M4.2X8 screws (AA), (see Figure 12).
3. Install grounding terminal to the back wall of firebox with 1) M4.2X8 screw (AA). The hole for installing the screw is marked with the grounding symbol as shown in Figure 13.

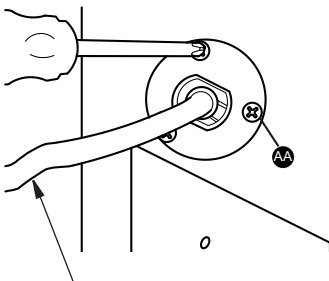


Figure 12 - Installing Power Cord

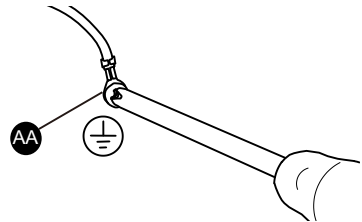


Figure 13 - Attaching Grounding Wire

CONNECTING POWER SUPPLY

4. Insert the male port from the blower assembly into the corresponding female port from the power cord, (see Figure 14).

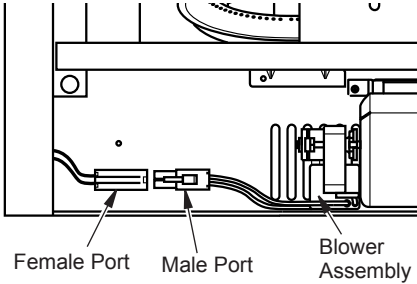


Figure 14 - Attaching Blower to Power Cord

5. Connect the AUTO, OFF, MAN wires to the three corresponding male tabs on the rocker switch (see Figure 15).

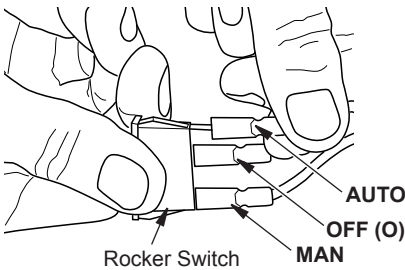


Figure 15 - Connecting Wires to Rocker Switch

6. Feed the harness back through the opening and push the rocker switch housing into the mounting hole until tightly seated flush to the panel (see Figure 16).

Note: See page 4 for rocker switch housing location for your model fireplace.

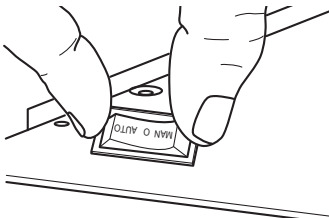


Figure 16 - Installing Rocker Switch (PC Series Shown)

7. Insert the female port, which is on the white power supply wire (marked with P1), into the corresponding male port. (marked with P1), (see Figure 18).

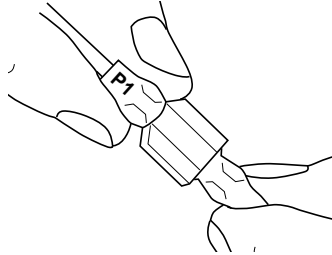


Figure 17 - Connecting P1 Wires

8. Insert the male port, which is on the black power supply wire (marked with P2), into the corresponding female port (marked with P2), (see Figure 17).

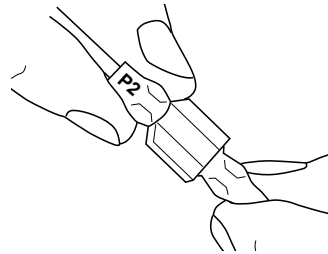


Figure 18 - Connecting P2 Wires

ELECTRICAL CONNECTION

A 15 amp, 120 Volt, 60 Hz circuit with a properly grounded outlet is required. The fireplace should be on a dedicated circuit. Other appliances on the same circuit may cause the circuit breaker to trip, or the fuse to blow when the heater is in operation. Plan the installation to avoid the use of an extension cord. Extension cords are for temporary use only. If an extension cord must be used, it must be UL/CSA certified, rated at 10A (1250W), 125V maximum with 16 AWG minimum and constructed of two current carrying conductors with ground. A heavy duty extension cord with the shortest length possible for the connection is recommended and must not be longer than 50 ft. (15.2 m). Do not coil or cover the extension cord.

⚠ WARNING: Electrical outlet wiring must comply with local building codes and other applicable regulations to reduce the risk of fire, electrical shock and injury to persons.

⚠ WARNING: Do not use this fireplace if any part of it has been under water. Immediately call a qualified service technician to inspect the fireplace and replace any part of the electrical system which has been under water.

GROUNDING INSTRUCTIONS

This heater is for use on 120 volts. The cord has a plug as shown at A in Figure 19. An adapter as shown at C is available for connecting three-blade grounding-type plugs to two-slot receptacles. The green grounding lug extending from the adapter must be connected to a permanent ground such as a properly grounded outlet box. The adapter should not be used if a three-slot grounded receptacle is available.

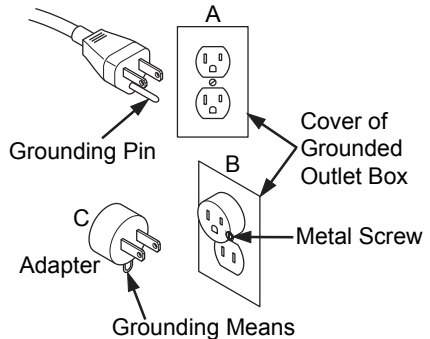


Figure 19 - Grounding Options

OPERATION

Using rocker switch, turn blower on and check for operation. Turn on rocker switch to the desired position. In the **MAN** position the blower will remain constantly on. In the **AUTO**

position the blower will be controlled by the temperature sensor. To stop the operation turn rocker switch to the **O** position.

CARE AND MAINTENANCE

Always disconnect the appliance from the main power supply and allow it to cool before any servicing operation.

The motors used on the fan heater and flame blower are pre-lubricated for extended bearing life and require no further lubrication.

Periodic cleaning/vacuuming of the appliance around the air intake and exhaust, as well as the fan heater is recommended. For heavy or continuous use, periodic cleaning must be done more frequently. If the heater blows alternating cold and warm air, check the fan for free movement and for debris restricting air flow. If the fan does not move freely, the unit must be turned off and the fan replaced immediately in order to prevent further damage to the unit.

REPLACEMENT PARTS

Note: Use only original replacement parts. This will protect your warranty coverage for parts replaced under warranty.

PARTS UNDER WARRANTY

Contact authorized dealers of this product. If they can't supply original replacement parts, call Customer Service toll free at 1-866-573-0674 for referral information.

When calling Customer Service or your dealer, have ready:

- Your name
- Your address
- Model and serial number of your heater
- How heater was malfunctioning
- Type of gas used (Propane or Natural gas)
- Purchase date

Usually, we will ask you to return the defective part to the factory

PARTS NOT UNDER WARRANTY

Contact authorized dealers of this product. If they can't supply original replacement part(s) call Customer Service toll free at 1-866-573-0674 for referral information.

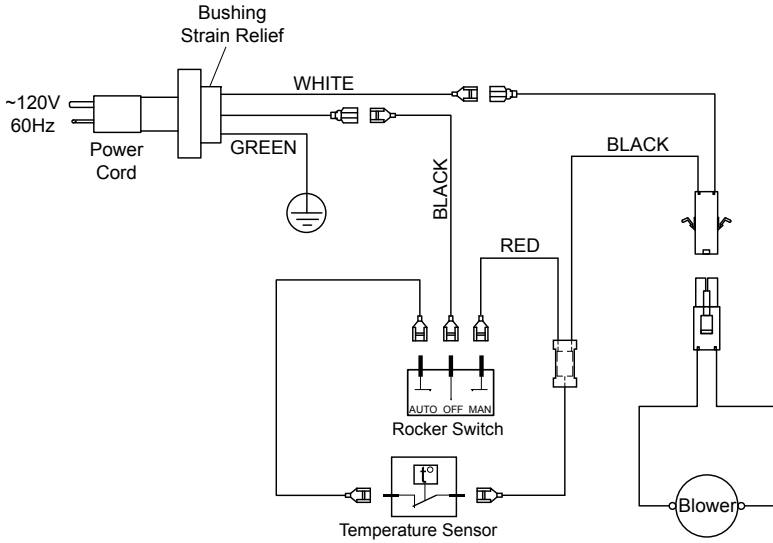
When calling Customer Service have ready:

- Model number of your heater
- The replacement part number

ELECTRICAL WIRING DIAGRAM

Any electrical re-wiring of this appliance must be done by a qualified electrician. This wiring must be done in accordance with local codes and/or in Canada with the current CSA C22.1 Canadian Electrical Code, and for US installations, the National Electrical Code ANSI/NFPA NO 70.

⚠ WARNING: If repairing or replacing any electrical component or wiring, the original wire routing, color coding and securing locations must be followed.



WARRANTY

KEEP THIS WARRANTY

Model _____

Serial No. _____

Date Purchased _____

Keep receipt for warranty verification.

REGISTER YOUR PRODUCT AT WWW.USAPROCOM.COM

IMPORTANT: We urge you to register your product within 10 days of date of installation, complete with entire serial number which can be found on the rating plate. Please fill out the warranty information above for your personal records. Retain this manual for future reference.

Always specify model and serial numbers when communicating with customer service.

We reserve the right to amend these specifications at any time without notice. The only warranty applicable is our standard written warranty. We make no other warranty, expressed or implied.

NEW PRODUCTS

Standard Warranty: ProCom Heating, Inc. warrants this product to be free from defects in materials and components for ONE (1) year from the date of first purchase, provided that the product has been properly installed by a qualified installer in accordance with all local codes and instructions furnished with the unit, operated and maintained in accordance with all applicable instructions. To make a claim under this warranty, the Bill of Sale or canceled check must be presented.

FACTORY RECONDITIONED PRODUCTS

Limited Warranty: ProCom Heating, Inc. warrants factory reconditioned products and any parts thereof to be free from defects in material and workmanship for a period 30 days from the date of first purchase from an authorized dealer provided the product has been installed, maintained and operated in accordance with ProCom Heating, Inc.'s warnings and Instructions. No return will be authorized. Parts will be provided to repair the product.

RESPONSIBILITY OF OWNER

This warranty is extended only to the original retail purchaser. This warranty covers the cost of part(s) required to restore this heater to proper operating condition. Warranty part(s) MUST be obtained through ProCom Heating, Inc. who will provide original factory replacement parts. Failure to use original factory replacement parts voids this warranty.

IMPORTANT: The heater MUST be installed by a qualified installer in accordance with all local codes and instructions furnished with the unit or the warranty is voided.

WHAT IS NOT COVERED

This warranty does not apply to parts that are not in original condition because of normal wear and tear or parts that fail or become damaged as a result of misuse, accidents, lack of proper maintenance or defects caused by improper installation. Travel, diagnostic cost, labor, transportation and any and all such other costs related to repairing a defective heater will be the responsibility of the owner.

TO THE FULL EXTENT ALLOWED BY THE LAW OF THE JURISDICTION THAT GOVERNS THE SALE OF THE PRODUCT, THIS EXPRESS WARRANTY EXCLUDES ANY AND ALL OTHER EXPRESSED WARRANTIES AND LIMITS THE DURATION OF ANY AND ALL IMPLIED WARRANTIES. INCLUDING WARRANTIES OF MERCHANTABILITY AND FITNESS FOR A PARTICULAR PURPOSE TO ONE (1) YEARS ON ALL COMPONENTS FROM THE DATE OF FIRST PURCHASE. PROCOM HEATING, INC.'S LIABILITY IS HEREBY LIMITED TO THE PURCHASE PRICE OF THE PRODUCT AND PROCOM HEATING, INC. SHALL NOT BE LIABLE FOR ANY OTHER DAMAGES WHATSOEVER INCLUDING INDIRECT, INCIDENTAL OR CONSEQUENTIAL DAMAGES.

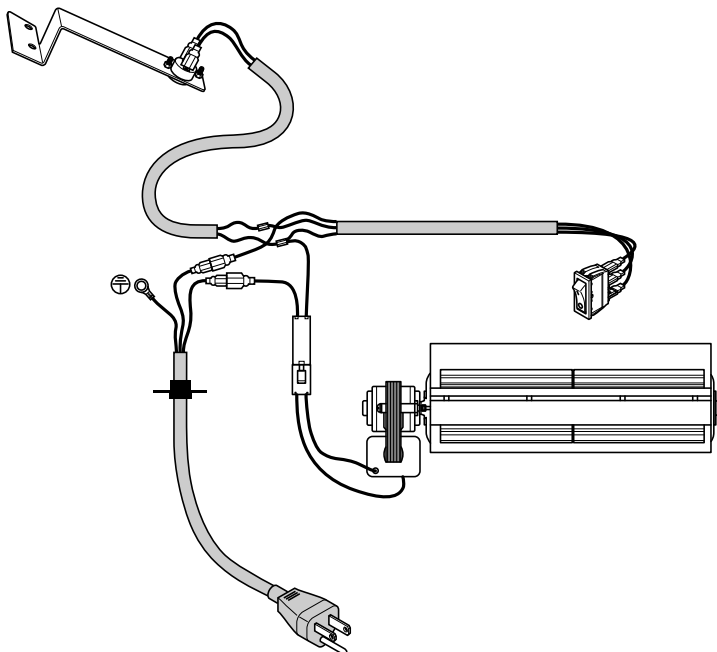
Some states do not allow a limitation on how long an implied warranty lasts or an exclusion or limitation of accidental or consequential damages, the above limitation on implied warranties, or exclusion or limitation on damages may not apply to you.

This warranty gives you specific legal right, and you may also have other rights that vary from state to state.



ProCom Heating, Inc.
Bowling Green, KY 42101
www.usaprocom.com
1-866-573-0674

200016-01
Rev. E
10/18



FIB100 ACCESORIO SOPLADOR INSTRUCCIONES DE INSTALACIÓN

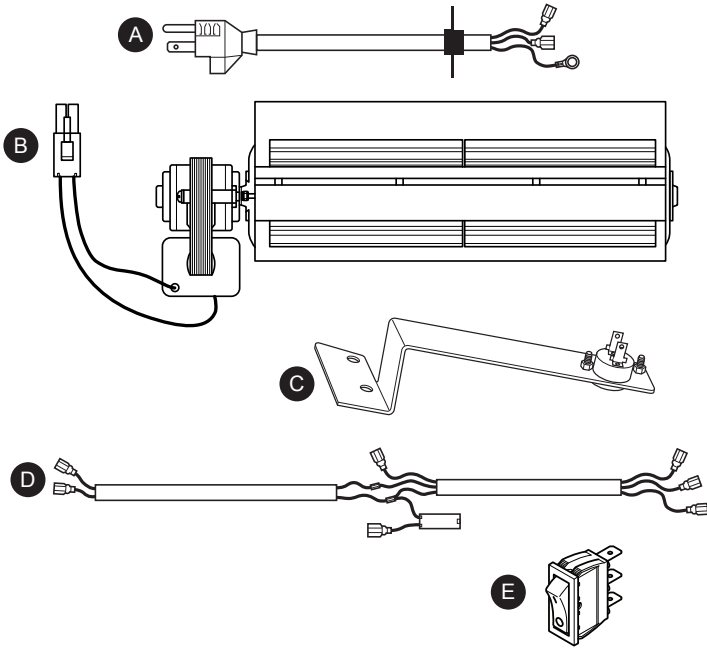


⚠ ADVERTENCIA: INSTRUCCIONES PARA LA CONEXIÓN ELÉCTRICA A TIERRA Este aparato está equipado con un enchufe de tres clavijas (con conexión a tierra) para protegerlo contra el riesgo de descargas eléctricas y debe ser enchufado directamente a un tomacorriente de tres patas con conexión a tierra receptáculo.



¿Preguntas, problemas, piezas faltantes? Antes de volver a la tienda, llame a nuestro Departamento de Servicio al Cliente al 1-866-573-0674, de lunes a viernes de 8:00 a.m. a 4:45 p.m., Hora del Centro, o envíe un correo electrónico a contact@usaprocom.com.

CONTENIDO DEL PAQUETE

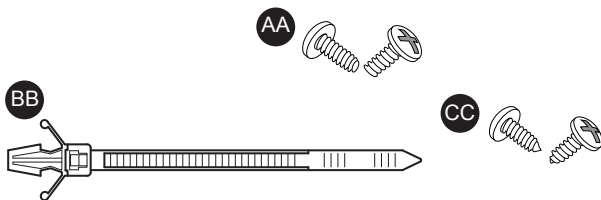


Piezas incluidas con este equipo

Art.	Pieza #	Descripción	Cant.
A	XB001-01	Cable de alimentación	1
B	XB002-01F	Soplador	1
C	XB003-01	Sensor de temperatura	1
D	XB004-01F	Cables conectores	1
E	PF06-0400-A	Interruptor oscilante	1

Hardware

Art.	Pieza #	Descripción	Cant.
AA	GB/T 845-4.2*9.5F	M4.2x9.5 Tornillo	6
BB	VL057-01	Amarre de cable	6
CC	4*8	M4.2x9.5 Tornillo	1



Si alguna de estas piezas falta o está dañado llamada ProCom Calefacción, Inc. al 1-866-573-0674 para obtener información de referencia.

IMPORTANTE: Lea con atención todas las instrucciones y advertencias antes de comenzar la instalación. Si no se siguen las instrucciones, se puede provocar una descarga eléctrica o riesgo de incendio, lo que anulará la garantía.

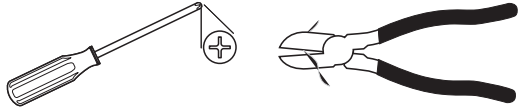
- Lea todas las instrucciones antes de usar este electrodoméstico.
- Si es posible, siempre desenchufe este electrodoméstico cuando no lo use.
- No opere ningún calentador con un cable o enchufe dañados, o después de fallas del mismo, de que se haya dejado caer o dañado de cualquier forma.
- Toda reparación de este electrodoméstico debe realizarla un técnico calificado.
- Bajo ninguna circunstancia se debe modificar este electrodoméstico. Las piezas que se deben retirar para reparación se deben reemplazar antes de volver a hacer funcionar este electrodoméstico.
- No lo use en exteriores.
- Nunca coloque este calentador donde se pueda caer dentro de una bañera u otro contenedor de agua.
- No coloque el cable debajo de una alfombra. No cubra el cable con alfombras, tapetes o similares. Coloque el cable lejos de zonas de tránsito en donde nadie se pueda tropezar y caer.
- Para desconectar este electrodoméstico, gire los controles a la posición de apagado y luego retire el enchufe del tomacorriente.
- Conecte sólo a tomacorrientes con la debida puesta a tierra.
- Cuando está instalado, este electrodoméstico debe presentar una puesta eléctrica a tierra conforme a los códigos locales, a los *Códigos de Electricidad de Canadá CSA C22.1* o, para instalaciones en EE.UU., seguir los códigos locales y el *Código Nacional de Electricidad, ANSI/NFPA No. 70*.
- No introduzca objetos extraños ni permita que entren en las aberturas de escape o ventilación, ya que pueden provocar descargas eléctricas, incendios o daños en el electrodoméstico.
- Para evitar incendios, no bloquee las entradas ni salidas de aire de ninguna manera.
- Utilice este electrodoméstico sólo como se describe en este manual. Cualquier otro uso no recomendado por el fabricante puede causar incendios, descargas eléctricas o lesiones personales.
- Evite utilizar extensiones eléctricas para evitar riesgos de sobrecalentamiento y de incendio. Las extensiones eléctricas son sólo para uso temporal. De ser necesaria una extensión eléctrica, ésta debe estar certificada UL/CSA, clasificada como 10 A (1250 W), 125 V como máximo con 16 AWG como mínimo y fabricada con dos conductores de corriente con puesta a tierra. Se recomienda una extensión eléctrica para trabajo pesado de la menor longitud posible para la conexión, que no sobrepase los 15,24 m (50 pies). No enrolle ni cubra la extensión eléctrica.

PREPARACIÓN

Nota: Este soplador contiene instrucciones de montaje de los siguientes modelos y números de artículos. Para el FBD28 y FBD32 series, FBNSD28T, FDF300R, FDF300T, FDI32-A, PC32VFC, PC36VFC y CRHFD28TCM-6-AU, CRHFD32RT-M-MO.

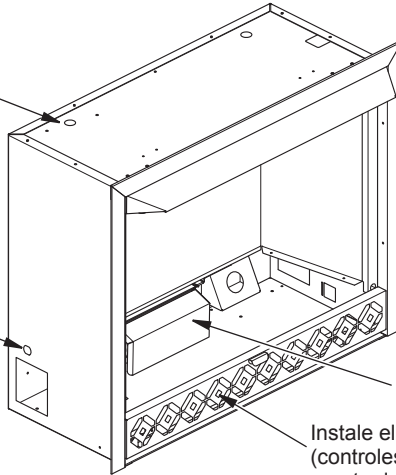
Herramientas necesarias

- Phillips destornillador
- Cortador de alambre



Instale el sensor de temperatura

Instale el cable de alimentación y conexión a tierra del alambre



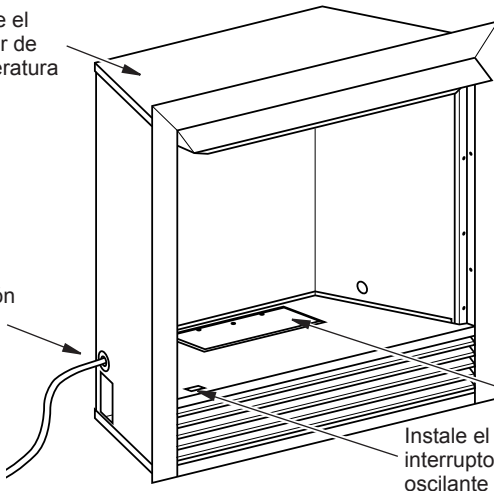
Instale el soplador

Instale el interruptor oscilante (controles son detrás de la puerta de acceso)

Blower Asamblea Posición de instalación para FBD28 y FBD32 Series, FBNSD28T, FDF300R, FDF300T, FDI32-A, CRHFD28TCM-6-AU, CRHFD32RT-M-MO Solo

Instale el sensor de temperatura

Instale el cable de alimentación y conexión a tierra del alambre



Instale el soplador

Instale el interruptor oscilante

Blower Asamblea Posición de instalación para PC32VFC y PC36VFC Solo Series

INSTALACIÓN DEL SENSOR DE TEMPERATURA

⚠ ADVERTENCIA: Antes de instalar el ventilador, asegúrese de apagar la unidad, y dar tiempo para que la unidad se enfríe.

1. Retire la cámara de combustión superior desatornillando los tornillos izquierdo y derecho en la cámara de combustión (consulte la figura 1).

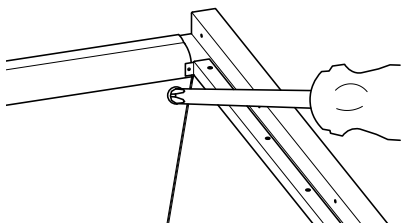


Figura 1 - Retire la cámara de combustión superior

2. Afloje los dos tornillos de la cubierta paneles de aislamiento térmico (consulte figura 2).

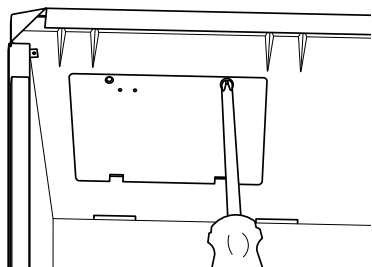


Figura 2 - Retire la cubierta del panel de aislamiento térmico

3. Sensor de temperatura para calentar Fije cubierta de la placa de aislamiento con dos M4.2X8 tornillos (AA).

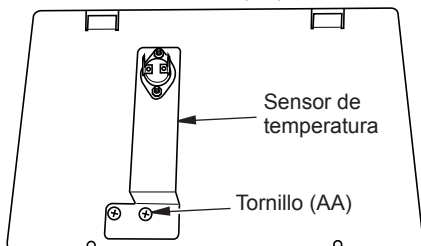


Figura 3 - Fijar Sensor de temperatura de panel de aislamiento térmico

4. Inserte los cables en el espacio entre el cable y el tablero de protección shell. Conecte los cables de la cubierta superior con el clip de enrutamiento de cables.

Clip de enrutamiento de cables

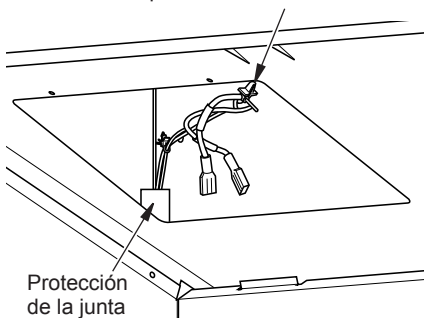


Figura 4 - Conexión del cableado

5. Conectar los cables al sensor de temperatura como se muestra en la Figura 5.
6. Reinstale la cubierta del panel de instalación de calor con 2 tornillos (consulte Figura 2).
7. Reemplace la cámara de combustión superior con 2 tornillos retirados en el paso 1.

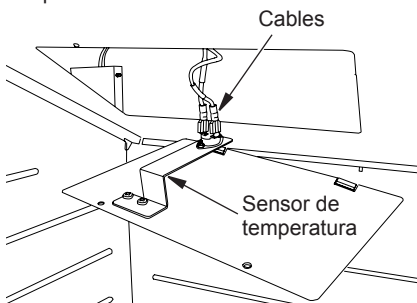


Figura 5 - Conexión de los cables de sensor de temperatura

INSTALACIÓN DEL CONJUNTO DEL VENTILADOR

FBD28 y FBD32 Series, FBNSD28T, FDF300R, FDF300T, FDI32-A, CRHFD28TCM-6-AU, CRHFD32RT-M-MO Sólo

1. **CRHFD32RT-M-MO, FBD32 Series y FDI32-A Sólo** Retire 2 tornillos de fijación del panel como se muestra en la Figura 6. Retire el panel de acceso al compartimento del ventilador.

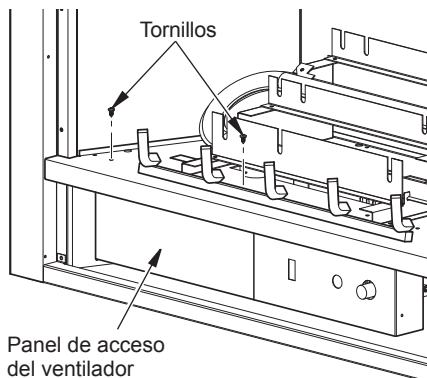


Figura 6 - Extracción del panel de acceso del ventilador

CRHFD28TCM-6-AU, CRHFD32RT-M-MO, FBD28 y FBD32 Series, FBNSD28T, FDF300R, FDF300T y FDI32-A Sólo

2. Inserte ventilador en el espacio inferior de la bandeja del quemador. Tenga cuidado de no tocar los cables en el interior (consulte figura 7).

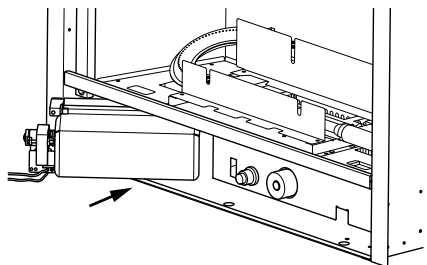


Figura 7 - Colocación del ventilador en chimenea

3. Definir plano del ventilador y conectar a dos soportes de placa shell. Asegúrese de que el ventilador se instala en las ranuras (consulte la Figura 8).

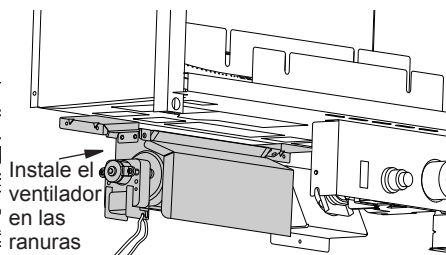


Figura 8 - Posicionamiento conjunto del ventilador de shell junta

4. Conecte con ventilador M4.0X8 tornillos (CC), después de instalar manualmente en las ranuras, (consulte la Figura 9).

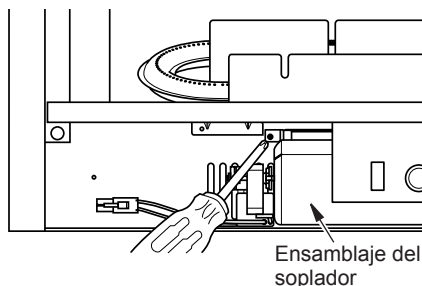


Figura 9 - Instalación del ensamblaje del soplador

INSTALACIÓN DEL CONJUNTO DEL VENTILADOR

PC32VFC and Only Series PC36VFC

1. Retire el panel de acceso del soplador (consulte la Figura 10).
2. Montar ventilador en el panel de acceso del soplador (consulte la Figura 11).

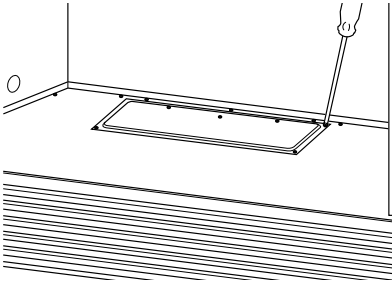


Figura 10 - Extracción del panel de acceso del soplador

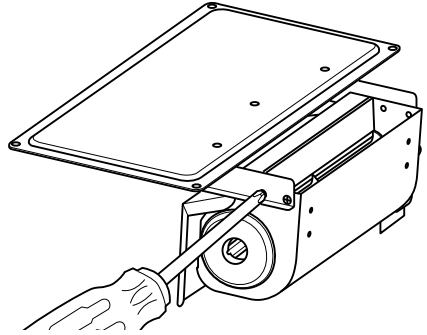
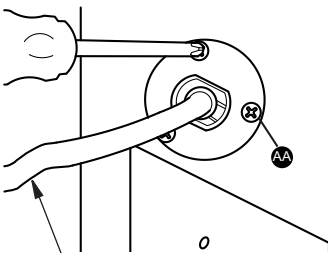


Figura 11 - Colocación de ensamblaje del soplador de al panel de acceso del del soplador

3. Inserte cuidadosamente ventilador y el cableado a través del orificio de acceso. Vuelva a instalar el panel de acceso del ventilador con los tornillos que quitó en el paso 1.

CONEXIÓN DE LA FUENTE DE ALIMENTACIÓN

1. Inserte los cables del cable de alimentación a través del agujero en el lado de la cámara de combustión.
2. Conecte el cable de alimentación a la chimenea con tres M4.2X8 tornillos (AA), (consulte la Figura 12).
3. Instale el terminal de masa en la pared trasera de la cámara de combustión con 1) M4.2X8 tornillo (AA). El agujero para instalar el tornillo está marcado con el símbolo de puesta a tierra como se muestra en la Figura 13.



Cable de alimentación

Figura 12 - Instalación del cable de alimentación

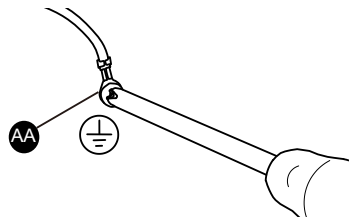


Figura 13 - Conexión a tierra del alambre

CONEXIÓN DE LA FUENTE DE ALIMENTACIÓN

4. Introduzca el puerto macho del conjunto del ventilador en el puerto hembra correspondiente del cable de alimentación (consulte la Figura 14).

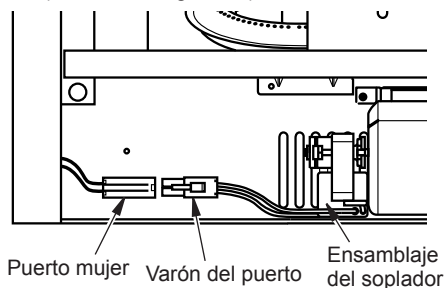


Figura 14 - Colocación del soplador al cable de alimentación

5. Conecte el AUTO, OFF, cables MAN a las tres lengüetas macho correspondientes del interruptor (consulte la Figura 15).

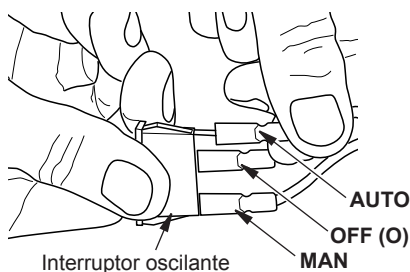


Figura 15 - Conexión de cables a interruptor oscilante

6. Pase el arnés a través de la abertura y empuje la caja del interruptor basculante en el agujero de montaje hasta bien sentado a ras del panel (consulte la Figura 16).

Nota: Consulte la página 16 para la caja del interruptor basculante ubicación para su chimenea modelo.

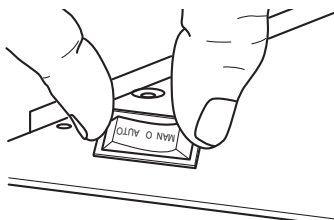


Figura 16 - Instalación Interruptor oscilante (PC de la serie se muestra)

7. Insertar el puerto hembra, que está en el cable de suministro de energía blanco (marcado con P1), en el puerto macho correspondiente. (marcado con P1), (consulte la Figura 18).

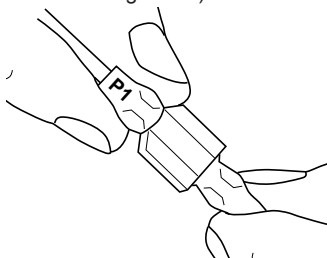


Figura 17 - Conexión de cables P1

8. Insertar el puerto macho, que está en el cable de suministro de energía negro (marcado con P2), en el puerto hembra correspondiente (marcado con P2), (consulte la Figura 17).

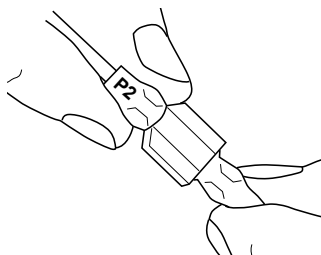


Figura 18 - Conexión de cables P2

CONEXIÓN ELÉCTRICA

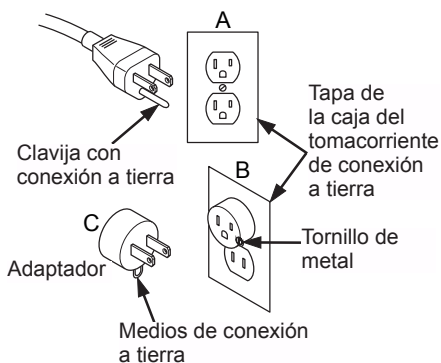
Se requiere un circuito de 15 amperios, 120 voltios y 60 Hz con un tomacorriente correctamente conectado a tierra. Preferentemente, la chimenea debe estar en un circuito dedicado, ya que la conexión de otros artefactos al mismo circuito puede provocar que el interruptor de circuito se desconecte o que el fusible se funda cuando el calentador está en funcionamiento. Planifique la instalación para evitar el uso de una extensión eléctrica. Las extensiones eléctricas son sólo para uso temporal. De ser necesaria una extensión eléctrica, ésta debe estar certificada UL/CSA, clasificada como 10 A (1250 W), 125 V como máximo, con 16 AWG como mínimo y fabricada con dos conductores de corriente con conexión a tierra. Se recomienda una extensión eléctrica para trabajo pesado de la menor longitud posible para la conexión, que no sobrepase los 50 pies (15,2 m). No enrolle ni cubra la extensión eléctrica.

⚠ ADVERTENCIA: El cableado del tomacorriente debe cumplir con los códigos de construcción locales y con otras normas que correspondan para reducir el riesgo de incendio, descarga eléctrica y lesiones.

⚠ ADVERTENCIA: No utilice esta chimenea si alguna de sus piezas estuvo sumergida en agua. Llame de inmediato a un técnico en mantenimiento calificado a fin de que inspeccione la chimenea y reemplace cualquier pieza del sistema eléctrico que haya estado bajo agua.

INSTRUCCIONES DE CONEXIÓN A TIERRA

Este calentador fue diseñado para su uso en 120 voltios. El cable tiene un enchufe, como se muestra en A. Hay disponible un adaptador, como se muestra en C, para conectar enchufes con conexión a tierra de tres clavijas a receptáculos de dos ranuras. La orejeta verde de conexión a tierra que sale del adaptador se debe conectar permanentemente a tierra, como a través de una caja de un tomacorriente correctamente conectado a tierra. El adaptador no se debe usar si hay disponible un receptáculo de tres ranuras de conexión a tierra.



FUNCIONAMIENTO

Con el interruptor oscilante, encienda el soplador y compruebe el funcionamiento. Gire el interruptor oscilante hasta la posición deseada. En la posición **MAN** (MANUAL) permanecerá continuamente encendido. El

sensor de temperatura controlará la posición **AUTO** (AUTOMÁTICO). Para detener el funcionamiento, gire el interruptor oscilante hasta la posición **O**.

CUIDADO Y MANTENIMIENTO

Siempre desconecte el electrodoméstico del suministro eléctrico principal y permita que se enfríe antes de cualquier operación de mantenimiento.

Los motores usados en el calentador de ventilador y el soplador de llamas vienen lubricados previamente para prolongar la vida útil de los rodamientos y no necesitan otra lubricación. Sin embargo, se recomienda una

limpieza o aspiración periódica del electrodoméstico alrededor de la entrada y salida de aire, así como del calentador de ventilador. Para un uso pesado o continuo, la limpieza periódica se debe realizar con mayor frecuencia. Si el calentador sopla alternadamente aire frío y cálido, compruebe que el ventilador se mueva libremente y que no haya desechos que obstruyan el flujo de aire. Si el ventilador no se mueve libremente, la unidad se debe apagar y el ventilador se debe reemplazar inmediatamente para evitar daños a la unidad.

PIEZAS DE REPUESTO

Nota: use sólo piezas de repuesto originales. Esto protegerá la cobertura de su garantía para partes reemplazadas bajo la garantía.

PIEZAS CON GARANTÍA

Comuníquese con los distribuidores autorizados de este producto. Si no pueden proporcionarle las piezas originales de repuesto, llame gratis al Departamento de Servicio al Cliente al 1-866-573-0674 para obtener información de referencia.

Cuando llame a Servicio al Cliente, tenga preparados:

- su nombre,
- su dirección
- los números de modelo y de serie de su calentador,
- la falla del calentador,
- Tipo de suministro de gas y propano tamaño del tanque de gas
- la fecha de compra

Por lo general, le pediremos que devuelva la pieza a la fábrica.

PIEZAS SIN GARANTÍA

Comuníquese con los distribuidores autorizados de este producto. Si no pueden suministrarle piezas de repuesto originales, llame gratis al Departamento de Servicio al Cliente al 1-866-573-0674 para obtener información de referencia.

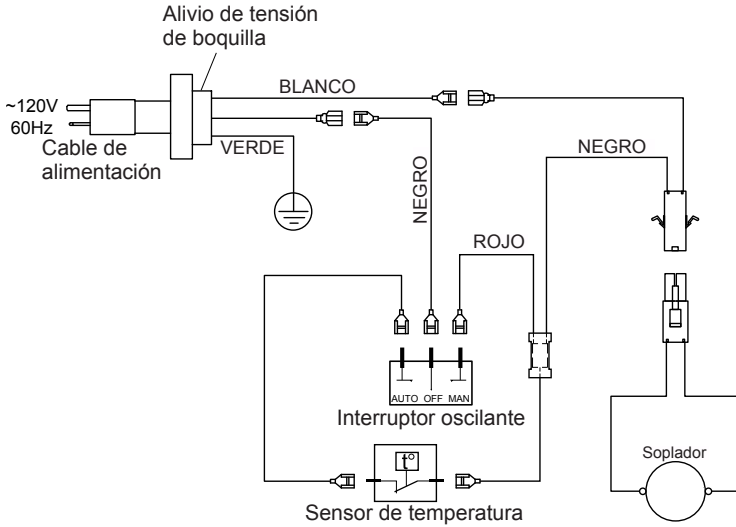
Cuando llame a Servicio al Cliente, tenga preparados:

- los números de modelo y de serie de su calentador,
- el número de la pieza de repuesto.

DIAGRAMA DEL CABLEADO ELÉCTRICO

Todo nuevo cableado eléctrico del electrodoméstico debe realizarlo un electricista calificado. Este cableado se debe realizar de acuerdo con códigos locales o, en Canadá, de acuerdo con el Código de Electricidad de Canadá CSA C22.1 actual, y para las instalaciones en EE.UU., de acuerdo con el código nacional de electricidad, ANSI/NFPA No. 70.

⚠ ADVERTENCIA: Si se repara o reemplaza cualquier componente eléctrico o cableado, se deben seguir las rutas originales de los cables, los códigos de color y las ubicaciones de fijación.



GARANTÍA

GUARDE ESTA GARANTÍA

Modelo _____

Número de serie _____

Fecha de compra _____

Conserve su recibo para la verificación de la garantía.

REGISTRE SU PRODUCTO EN WWW.USAPROCOM.COM

IMPORTANTE: Le pedimos que registre su producto dentro de los 10 días de la fecha de instalación, lleve a cabo con el número de serie completa que se puede encontrar en la placa de características. Por favor llene la información anterior para sus archivos personales. Conserve este manual para futuras consultas.

Siempre especifique números de serie y modelo cuando se comunique con servicio al cliente.

Nos reservamos el derecho a modificar estas especificaciones en cualquier momento sin previo aviso. La única garantía aplicable es nuestra garantía escrita estándar. No hacemos ninguna otra garantía, expresa o implícita.

NUEVOS PRODUCTOS

Garantía estándar: ProCom Heating, Inc. garantiza que este producto no presentará defectos en los materiales y componentes durante UN (1) año a partir de la fecha de la primera compra, siempre que el producto haya sido instalado correctamente por un instalador calificado de acuerdo con todos los requisitos locales, códigos e instrucciones provistos con la unidad, operados y mantenidos de acuerdo con todas las instrucciones aplicables. Para presentar una reclamación bajo esta garantía, se debe presentar la factura de venta o el cheque cancelado.

PRODUCTOS REACONDICIONADOS DE FÁBRICA

Garantía limitada: ProCom Heating, Inc. garantiza que los productos reacondicionados de fábrica y sus partes están libres de defectos de materiales y mano de obra durante un período de 30 días a partir de la fecha de la primera compra de un distribuidor autorizado siempre que el producto haya sido instalado, mantenido y operado de acuerdo con las advertencias e instrucciones de ProCom Heating, Inc. No se autorizará ninguna devolución. Se proporcionarán piezas para reparar el producto.

RESPONSABILIDAD DEL PROPIETARIO

Esta garantía se extiende sólo al comprador original. Esta garantía cubre el costo de las piezas necesarias para restaurar este calentador y dejarlo en buen estado de funcionamiento. Las piezas de garantía deben obtenerse a través de ProCom Heating, Inc. que ofrece piezas originales de fábrica. No utilizar repuestos originales de fábrica anula esta garantía.

IMPORTANTE: El calentador debe ser instalado por un instalador calificado de acuerdo con todos los códigos locales y las instrucciones provistas con el equipo o la garantía quedará anulada.

LO QUE NO ESTÁ CUBIERTO

Esta garantía no se aplica a piezas que no están en condición original debido a desgaste normal o que o se dañen debido a mal uso, accidentes, falta de mantenimiento adecuado o defectos causados por la instalación incorrecta. Viajes, costo de diagnóstico, trabajo, transporte y todos los gastos relacionados con la reparación de un calentador defectuoso será responsabilidad del propietario.

EN LA MEDIDA PERMITIDA POR LA LEY DE LA JURISDICCIÓN QUE RIGE LA VENTA DEL PRODUCTO, ESTA GARANTÍA EXPRESA EXCLUYE CUALQUIERA Y TODAS LAS OTRAS GARANTÍAS EXPRESADAS Y LIMITADA LA DURACIÓN DE CUALQUIER GARANTÍA IMPLÍCITA. INCLUYENDO LAS GARANTÍAS DE COMERCIABILIDAD Y ADECUACIÓN PARA UN PROPÓSITO PARTICULAR A 1 UN AÑO EN TODOS LOS COMPONENTES DE LA FECHA DE LA PRIMERA COMPRA. LA RESPONSABILIDAD DE PROCOM HEATING, INC. QUEDARÁ LIMITADA AL PRECIO DE COMPRA DEL PRODUCTO Y PRO-COM NO SERÁ RESPONSABLE POR CUALQUIER OTRO DAÑO INCLUYENDO DAÑOS INDIRECTOS, DAÑOS INCIDENTALES O CONSECUENTES.

Algunos Estados no permiten una limitación sobre cuánto tiempo una garantía implícita dura o una exclusión o limitación de daños fortuitos o consecuentes, la limitación anterior sobre las garantías implícitas o la exclusión o limitación de daños puede no aplicarse a usted.

Esta garantía le otorga derechos legales específicos, y usted también puede tener otros derechos que varían de Estado a estado.



ProCom Heating, Inc.
Bowling Green, KY 42101
www.usaprocom.com
1-866-573-0674

20016-01
Rev. E
10/18