

# TK-32 Trim Kit

## Installation Instructions

1. Locate 6 screws in hardware package.
2. Install them into firebox as shown in Figure 1.
3. Install the left and right trim pieces to the firebox by snapping them over the screws installed in step 2.

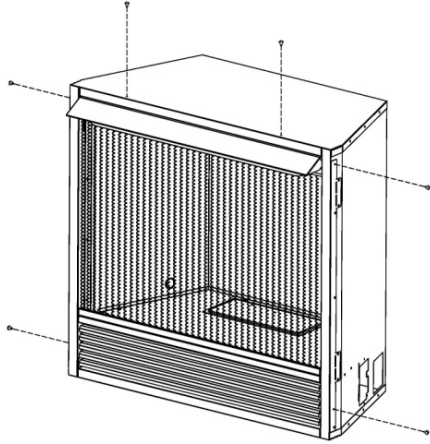


Figure 1

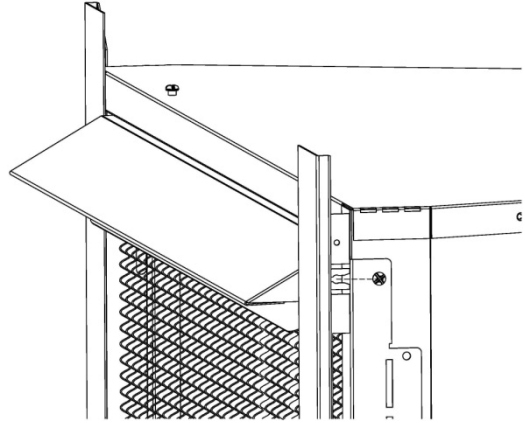


Figure 2

4. Use the same method for the top trim piece, but make sure the 45° angle is facing the front of the unit when inserted into the left and right trim piece channels.

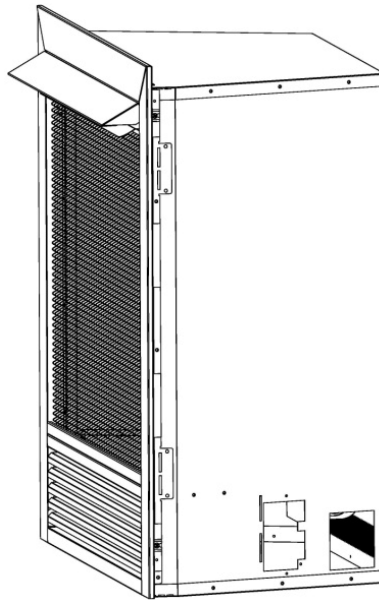


Figure 3



ProCom Heating, Inc.  
Bowling Green, KY 42101  
[www.usaprocom.com](http://www.usaprocom.com)  
1-866-573-0674

200100-01  
Rev A  
10/13