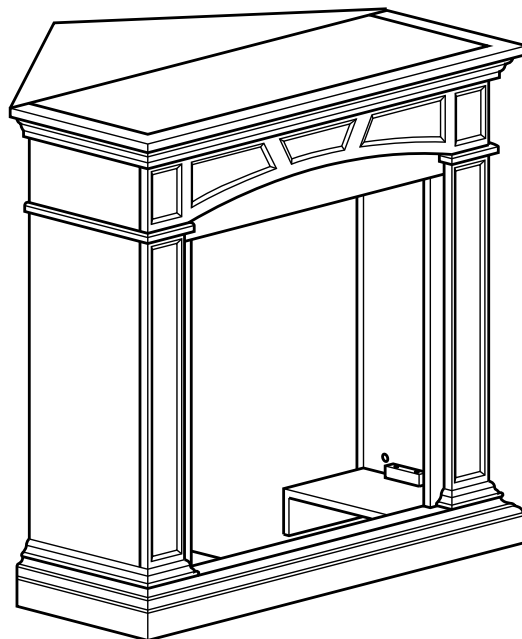
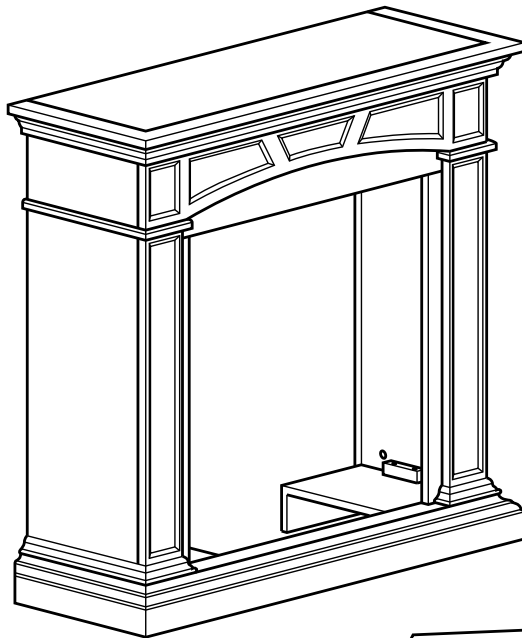




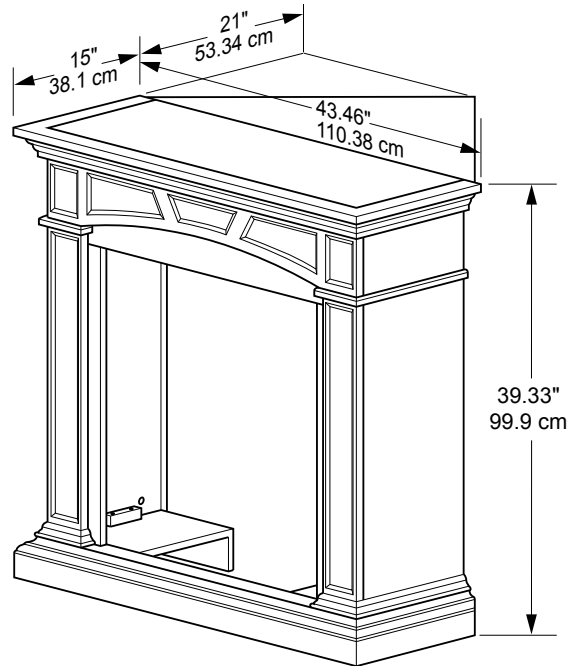
**CORNER COMBO
WOOD FIREPLACE MANTEL**

MODEL FBD28TCC-M-HC/MO



Questions, problems, missing parts? Before returning to your retailer, call our customer service department at 1-866-573-0674, 7:30 am - 4:15 pm CST, Monday through Friday or email customerservice@usaprocom.com

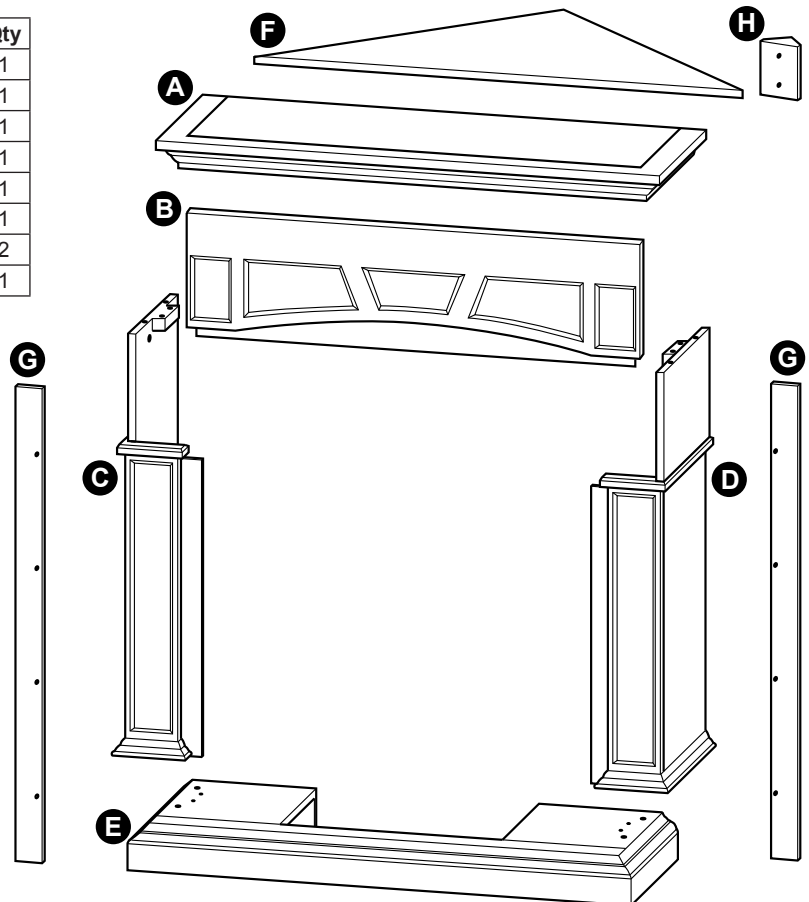
PRODUCT SPECIFICATIONS



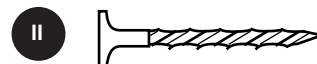
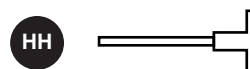
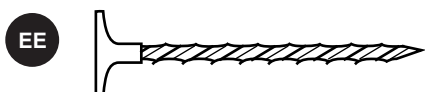
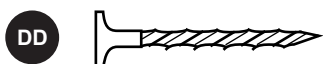
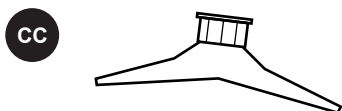
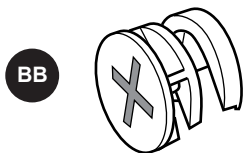
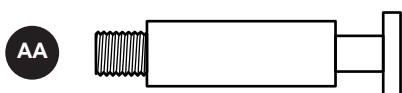
PACKAGE CONTENTS

If a part is missing or damaged, return to place of purchase (exterior wood components are not replaceable).

Item	Part #	Description	Qty
A	FBD28-M1-401-MO/HC	Top	1
B	FBD28-M1-402-MO/HC	Panel	1
C	FBD28-M1-403-MO/HC	Left Side Panel	1
D	FBD28-M1-404-MO/HC	Right Side Panel	1
E	FBD28-M1-405-MO/HC	Base	1
F	FBD28-M1-406-MO/HC	Top Triangle Panel	1
G	FBD28-M1-407-MO/HC	Backboard	2
H	SJ001	Set Square Support	1



HARDWARE CONTENTS



REPLACEMENT PARTS LIST

Item	Description	Part #	Qty
	Hardware Package	HP006	1
AA	Cam Dowel	PCAM-023	16
BB	Cam Lock	PCAM-023	16
CC	Wall Anchor	ML066-01	2
DD	ST4 Screw 1 3/16"	GB/T 951 4×30	8
EE	ST5 Screw 2 3/8"	GB/T 950 5×60	2
FF	ST4 Screw 5/8"	GB/T 951 4×16	18
GG	Connector Bracket	SJ002	3
HH	White Key	ML067-01	1
II	ST4 Screw 1 9/16"	GB/T 951 4×40	8

⚠ WARNING: When tightening screws, do not over tighten, this may cause threads to strip. We recommend using a hand-held screwdriver rather than a power screwdriver.

⚠ WARNING: Do not force screws into holes.

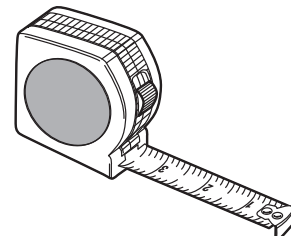
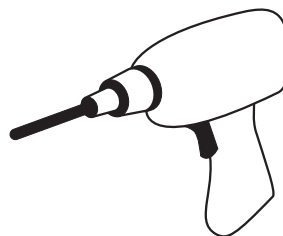
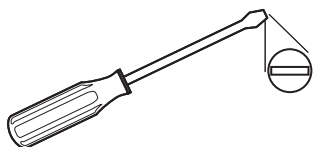
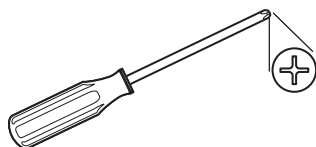
⚠ CAUTION: For corner installations(optional); if baseboards are installed where the fireplace is intended to be displayed, the fireplace will not fit flush against the wall. For a proper flush fit, it may be necessary to remove part of the baseboard mold.

PREPARATION

Before beginning assembly of product, make sure all hardware contents parts are present. Compare parts with package contents list and diagram on page 4. If any part is missing or damaged, do not attempt to assemble the product. Contact customer service for replacement parts.

Estimated Assembly Time: 60 minutes

Tools Required for Assembly: Phillips Screwdriver, Flathead Screwdriver, Drill, and Tape Measure.



ASSEMBLY INSTRUCTIONS

1. Insert Cam Locks (BB) into Panel (B). Screw Cam Dowels (AA) into the Left Side Panel (C) and the Right Side Panel (D). Attach Panel (B) into assembled frame (C, D) by tightening the Cam Locks (BB) as shown in Figure 1.

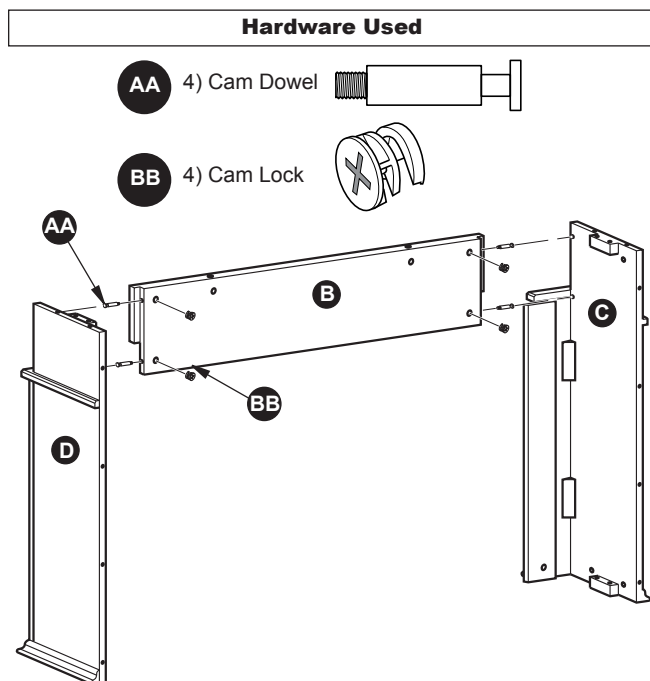


Figure 1

2. Insert Cam Locks (BB) into the Left Side Panel (C) and the Right Side Panel (D). Screw Cam Dowels (AA) into Base (E). Attach Base (E) into assembled frame by tightening the Cam Locks (BB) as shown in Figure 2.

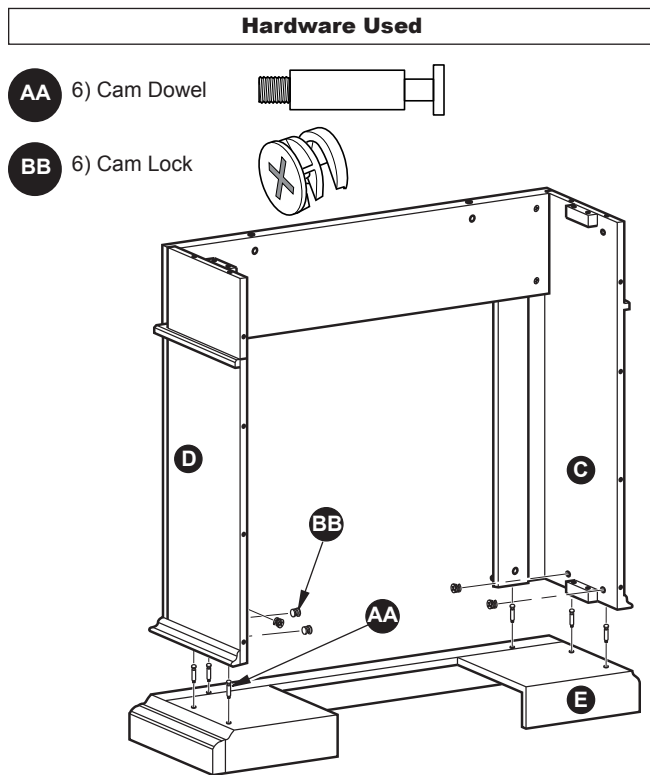


Figure 2

3. Fasten the wood support brackets attached to the Left Side (C) and Right Side (D) Panels with ST4Screw 1 9/16" (II) to the Base (E) as shown in Figure 3.

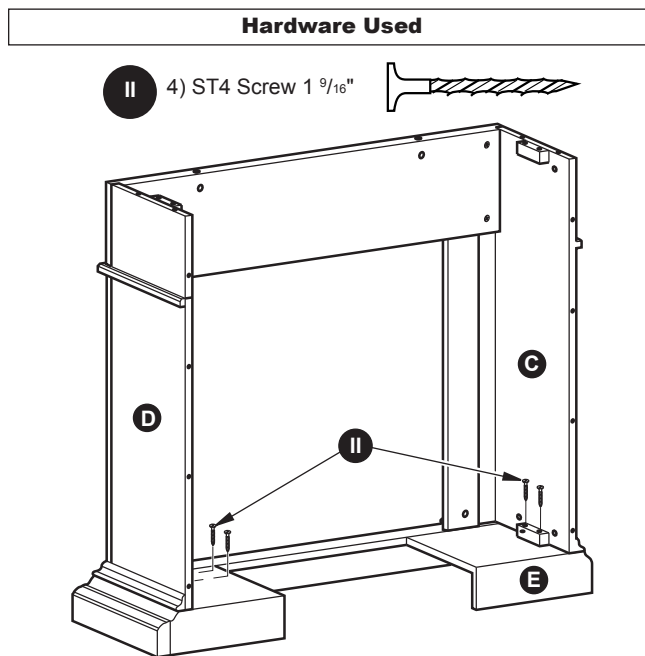


Figure 3

For Corner Mantel, skip to step 8, page 7.

4. Insert Cam Locks (BB) into assembled frame (B,C,D). Screw Cam Dowels (AA) into Top (A). Attach Top (A) into assembled frame by tightening the Cam Locks (BB) as shown in Figure 4.

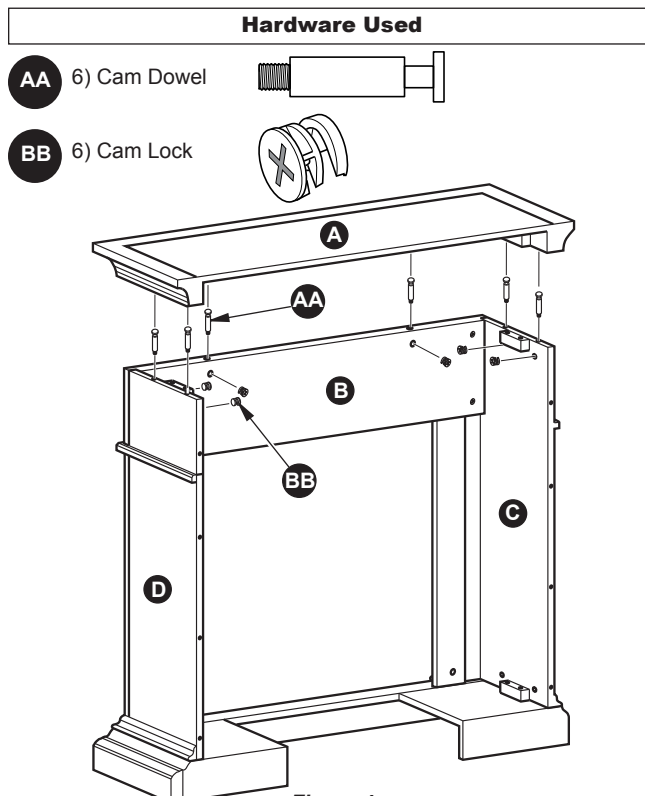


Figure 4

ASSEMBLY INSTRUCTIONS

5. Fasten the wooden support brackets attached to the top of the mantel assembly to the Top (A) with ST4 Screw 1 9/16" (II) as shown in Figure 5.

Hardware Used

II 4) ST4 Screw 1 9/16"

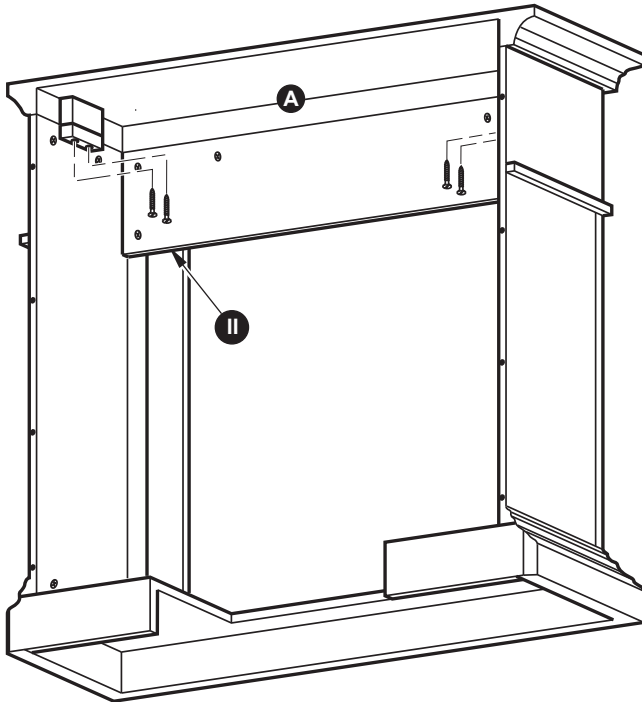


Figure 5

6. After assembling the mantel, lift to the upright position. Carefully, push the fireplace insert from the front of the mantel as shown in Figure 6.

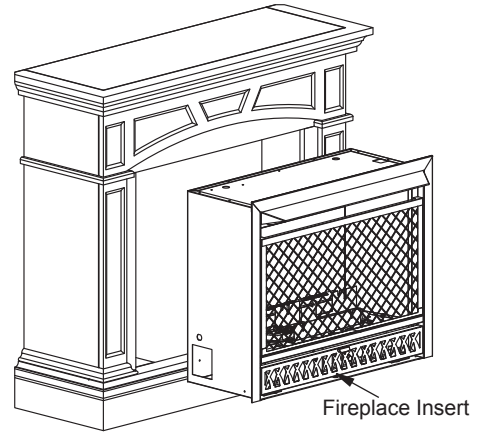


Figure 6

7. Position the fireplace to the desired location as shown in Figure 7.

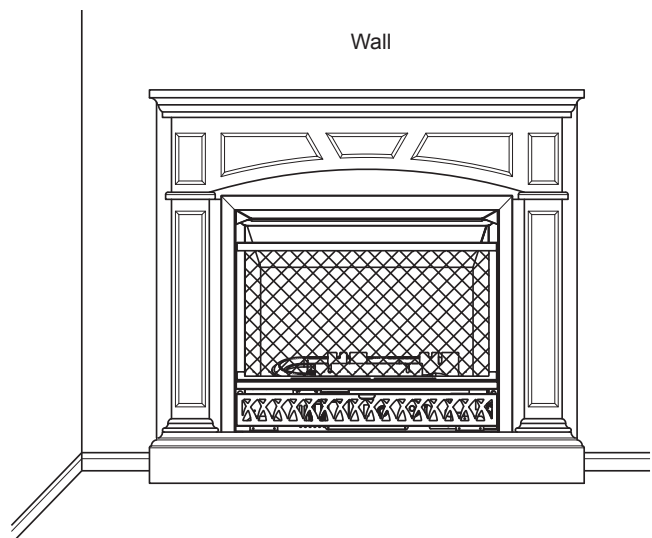


Figure 7

ASSEMBLY INSTRUCTIONS

CORNER APPLICATION

8. Turn the fireplace Top Panel (A) over. Using the supplied Connector Brackets (GG), attach the Mantel Top (A) to the Top Triangle Panel (H) with ST4 Screw 5/8" (FF) as shown in Figure 8.

Hardware Used

FF 18) ST4 Screw 5/8"



GG 3) Connector Bracket

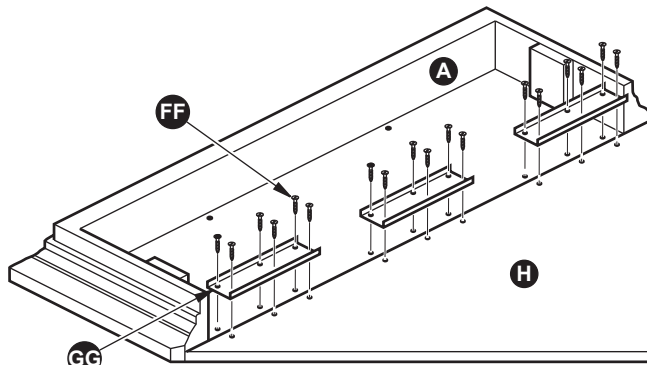
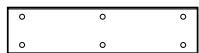
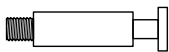


Figure 8

9. Insert Cam Locks (BB) into Panel (B), the Left Upper Panel (C) and the Right Upper Panel (D). Screw Cam Dowels (AA) into Top (A). Attach Top (A) into assembled frame by tightening the Cam Locks (BB) as shown in Figure 9.

Hardware Used

AA 6) Cam Dowel



BB 6) Cam Lock

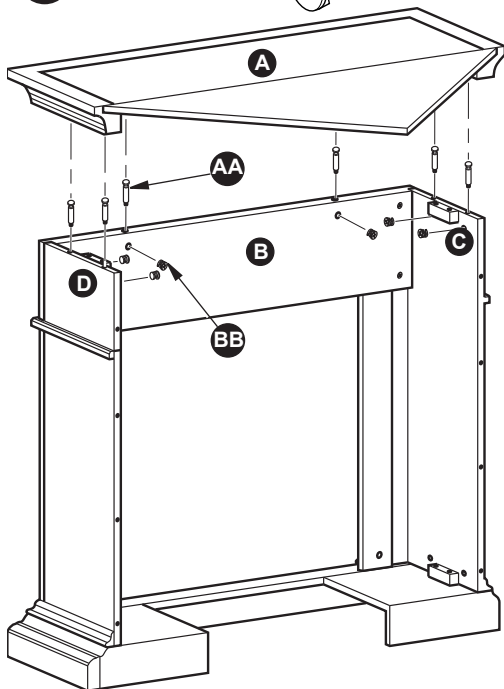


Figure 9

10. Fasten the wooden support brackets attached to the top of the mantel assembly to the Top (A) with ST4 Screw 1 9/16" (II) as shown in Figure 10.

Hardware Used

II 4) ST4 Screw 1 9/16"

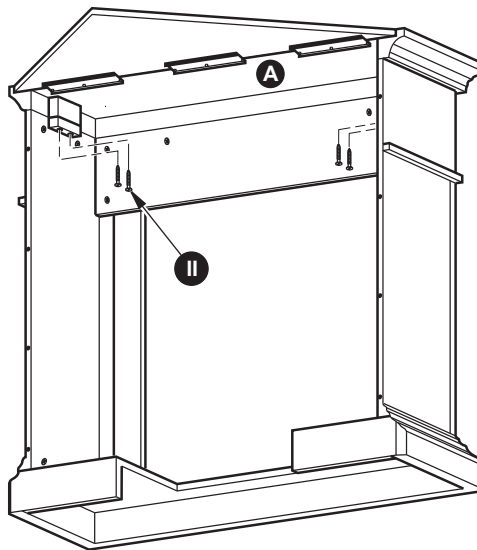


Figure 10

11. Attach the left and right Backboard (G) trim pieces to the back of the fireplace with ST4 Screw 1 3/16" (DD) as shown in Figure 11.

Hardware Used

DD 8) ST4 Screw 1 3/16"

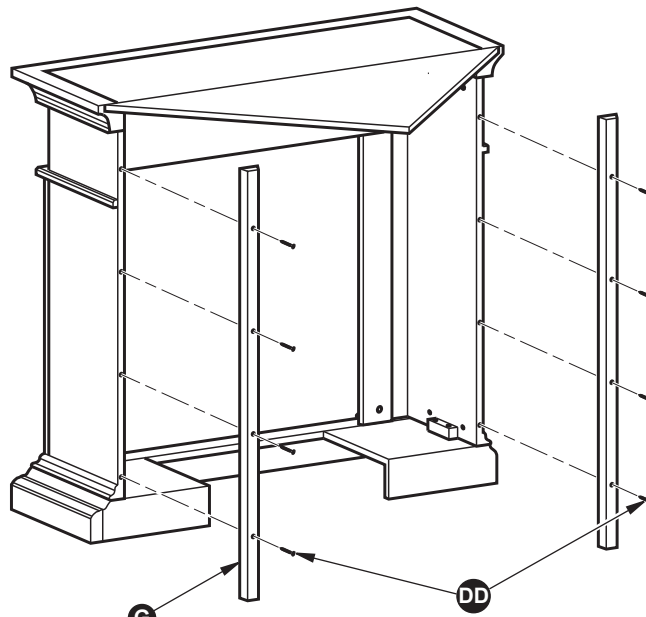
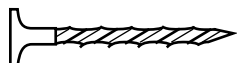


Figure 11

ASSEMBLY INSTRUCTIONS

12. After assembling the mantel, carefully lift to the upright position. Push the fireplace insert from the front of the mantel as shown in Figure 12.

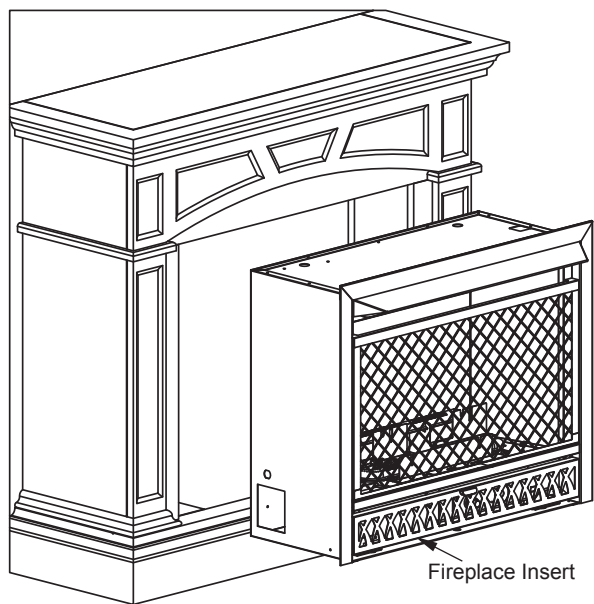


Figure 12

13. Drill two holes (5/16") in the corner where the fireplace is to be displayed. Drill the first hole 37 7/8" from the ground up. Drill the second hole 1 9/16" from the first hole as shown in Figure 13. Place the Wall Anchors (CC) into holes by pinching the anchor tabs together as shown in Figure 13.

Hardware Used

- CC** 2) Wall Anchor

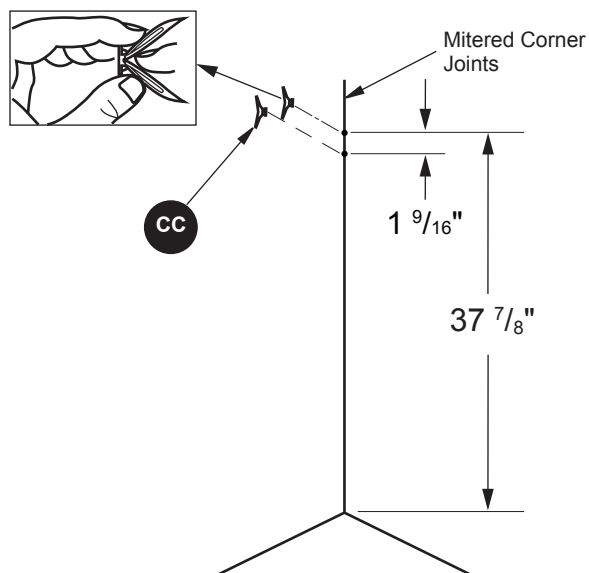
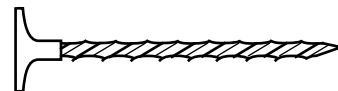


Figure 13

14. Install the Set Square Support (H) to the holes drilled in step 13, with ST5 Screw 2 3/8" (EE) as shown in Figure 15. This block is used to support the Top Triangle Panel (F). For thin walls, insert white key (HH) into wall anchor and push to "pop" open anchor wings.

Hardware Used

- EE** 2) ST5 Screw 2 3/8"



- HH** 1) White Key

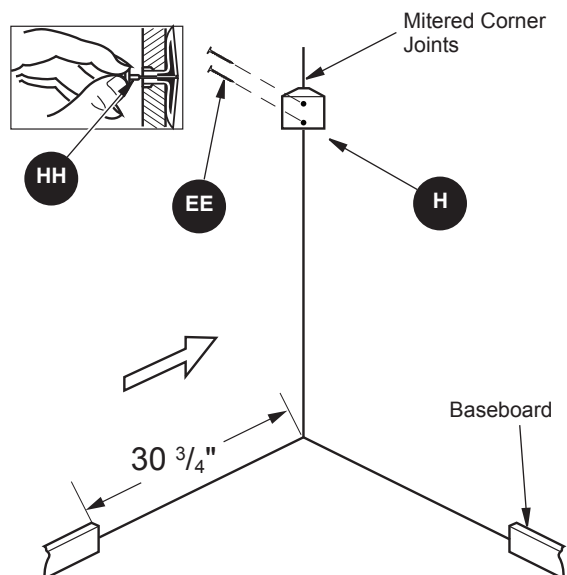
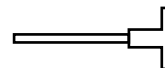


Figure 14

15. Push fireplace into the corner so that the Top Triangle Panel (F) is resting on top of the Set Square Support (H) as shown in Figure 15.

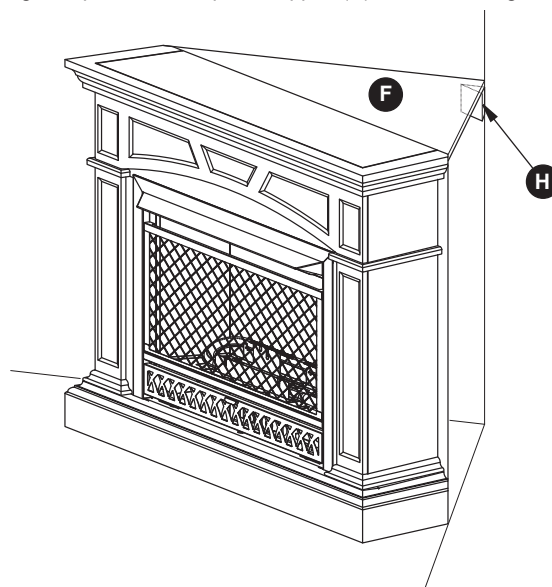


Figure 15

WARRANTY

KEEP THIS WARRANTY

Model _____

Serial No. _____

Date Purchased _____

Keep receipt for warranty verification.

REGISTER YOUR PRODUCT AT WWW.USAPROCOM.COM

IMPORTANT: We urge you to register your product within 10 days of date of installation, complete with entire serial number which can be found on the rating plate. Please fill out the warranty information above for your personal records. Retain this manual for future reference.

Always specify model and serial numbers when communicating with customer service.

We reserve the right to amend these specifications at any time without notice. The only warranty applicable is our standard written warranty. We make no other warranty, expressed or implied.

LIMITED WARRANTY

ProCom Heating, Inc. warrants this product to be free from defects in materials and components for TWO (2) years from the date of first purchase, provided that the product has been properly installed by a qualified installer in accordance with all local codes and instructions furnished with the unit, operated and maintained in accordance with all applicable instructions. To make a claim under this warranty, the Bill of Sale or cancelled check must be presented.

RESPONSIBILITY OF OWNER

This warranty is extended only to the original retail purchaser. This warranty covers the cost of part(s) required to restore this heater to proper operating condition. Warranty part(s) MUST be obtained through ProCom Heating, Inc. who will provide original factory replacement parts. Failure to use original factory replacement parts voids this warranty. The heater MUST be installed by a qualified installer in accordance with all local codes and instructions furnished with the unit.

WHAT IS NOT COVERED

This warranty does not apply to parts that are not in original condition because of normal wear and tear or parts that fail or become damaged as a result of misuse, accidents, lack of proper maintenance or defects caused by improper installation. Travel, diagnostic cost, labor, transportation and any and all such other costs related to repairing a defective heater will be the responsibility of the owner.

TO THE FULL EXTENT ALLOWED BY THE LAW OF THE JURISDICTION THAT GOVERNS THE SALE OF THE PRODUCT, THIS EXPRESS WARRANTY EXCLUDES ANY AND ALL OTHER EXPRESSED WARRANTIES AND LIMITS THE DURATION OF ANY AND ALL IMPLIED WARRANTIES. INCLUDING WARRANTIES OF MERCHANTABILITY AND FITNESS FOR A PARTICULAR PURPOSE TO TWO (2) YEARS ON ALL COMPONENTS FROM THE DATE OF FIRST PURCHASE. PROCOM HEATING, INC.'S LIABILITY IS HEREBY LIMITED TO THE PURCHASE PRICE OF THE PRODUCT AND PROCOM HEATING, INC. SHALL NOT BE LIABLE FOR ANY OTHER DAMAGES WHATSOEVER INCLUDING INDIRECT, INCIDENTAL OR CONSEQUENTIAL DAMAGES.

Some states do not allow a limitation on how long an implied warranty lasts or an exclusion or limitation of accidental or consequential damages, the above limitation on implied warranties, or exclusion or limitation on damages may not apply to you.

This warranty gives you specific legal right, and you may also have other rights that vary from state to state.



ProCom Heating, Inc.
Bowling Green, KY 42101
www.usaprocom.com
1-866-573-0674

200087-01
Rev. A
07/13