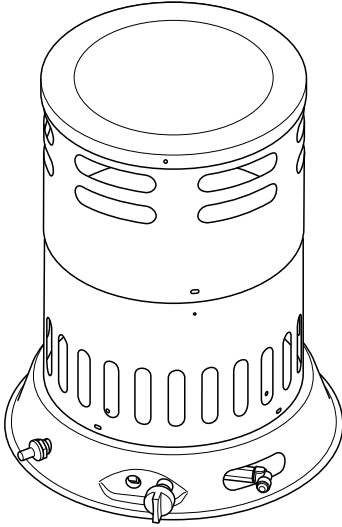




**FACTORY
BUYS
DIRECT.COM**



**PROPANE CONSTRUCTION
CONVECTION HEATER
OWNER'S MANUAL**

**VARIABLE 40-80,000 BTU/HR
75-200,000 BTU/HR**

**MODELS
FBDC80V & FBDC200V**



IMPORTANT: Read and understand this manual before assembling, starting or servicing heater. Improper use of heater can cause serious injury. Keep this manual for future reference.

⚠ GENERAL HAZARD WARNING:

Failure to comply with the precautions and instructions provided with this heater, can result in death, serious bodily injury and property loss or damage from hazards of fire, explosion, burn, asphyxiation, carbon monoxide poisoning and/or electrical shock.

Only persons who can understand and follow the instructions should use or service this heater.

If you need assistance or heater information such as an instructions manual, labels, etc. contact the manufacturer.



Questions, problems, missing parts? Before returning to your retailer, call our customer service department at 1-855-607-6557, 8:00 am - 4:30 pm EST, Monday through Friday or email info@factorybuysdirect.com

TABLE OF CONTENTS

Specifications	2	Storage	8
Safety	2	Maintenance	8
Unpacking	4	Technical Services	8
Theory of Operation	4	Accessories	8
Product Identification	4	Troubleshooting	9
Ventilation	4	Replacement Parts	9
Propane Supply	5	Parts	10
Installation	5	Warranty	12
Operation	6		

SPECIFICATIONS

	FBDC80V	FBDC200V
Type of Gas	Propane/LP Only	Propane/LP Only
Rating	40,000 - 80,000 Btu/hr (11.7 - 23.4 kW)	75,000 - 200,000 Btu/hr (22.0 - 58.6 kW)
Gas Supply Pressure to regulator	Max: Tank Pressure	Max: Tank Pressure
	Min: 1 psig (6.89 kPa)	Min: 15 psig (103 kPa)
Gas Supply Pressure Regulator Out	22" (55.9 cm) W.C.	10 psig (68.9 kPa)
Ignition	Piezo Ignitor	Piezo Ignitor
Minimum Ambient Temp. Rating	0° F (-17.8° C)	0° F (-17.8° C)
Fuel Consumption	1.85 - 3.7 lb/hr (0.84 - 1.63 kg/hr)	3.5 - 9.2 lb/hr (1.57 - 4.2 kg/hr)
Fuel Orifice Port No.	6	6
Fuel Orifice Port Size	0.041" (1.04 mm)	0.032" (0.81 mm)

SAFETY

⚠ WARNING: This product contains and/or generates chemicals known to the State of California to cause cancer or birth defects or other reproductive harm.

⚠ WARNING: Fire, burn inhalation and explosion hazard. Keep solid combustibles, such as building materials, paper or cardboard, a safe distance away from the heater as recommended by the instructions. Never use the heater in spaces which do or may contain volatile or airborne combustibles or products such as gasoline, solvents, paint thinner, dust particles or unknown chemicals.

⚠ WARNING: Not for home or recreational vehicle use.

The heater is designed for use as a construction heater in accordance with ANSI Z83.7/CGA 2.14. Other standards govern the use of fuel gases and heating products for specific uses. Your local authority can advise you about these. The primary purpose of construction heaters is to provide temporary heating of buildings under construction, alteration or repair. Properly used, the heater provides safe economical heating. Products of combustion are vented into the area being heated.

We cannot foresee every use which may be made of our heaters. **CHECK WITH YOUR LOCAL FIRE SAFETY AUTHORITY IF YOU HAVE QUESTIONS ABOUT HEATER USE.**

Other standards govern the use of fuel gases and heat producing products for specific uses. Your local authorities can advise you about these.

SAFETY

 **DANGER: Carbon monoxide poisoning may lead to death!**

Carbon Monoxide Poisoning: Some people are more affected by carbon monoxide than others. Early signs of carbon monoxide poisoning resemble the flu, with headaches, dizziness and/or nausea. If you have these signs, the heater may not be working properly. **Get fresh air at once!** Check for proper ventilation and have heater serviced.

Propane Gas: Propane gas is odorless. An odor-making agent is added to propane gas. The odor helps you detect a propane gas leak. However, the odor added to propane gas may fade. Propane gas may be present even though no odor exists.

Make certain you read and understand all warnings. Keep this manual for reference. It is your guide to safe and proper operation of this heater.

For use with Propane/LP gas only.

1. Install and use heater with care. Follow all local ordinances and codes. In the absence of local ordinances and codes, refer to the *Standard for Storage and Handling of Liquefied Petroleum Gas, ANSI/NFPA 58 and the Natural Gas and Propane Installation Code, CAN/CGA B149.1*. This instructs on the safe storage and handling of propane gases.
2. This product has been approved for use in the Commonwealth of Massachusetts.
3. Use only propane gas set up for vapor withdrawal.
4. Provide adequate ventilation. Before using heater, provide at least a 2.5 square foot (0.232 m²) (80,000 BTU heaters) or 6.0 square foot (0.557 m²) (200,000 BTU heaters) opening of fresh, outside air.
5. For indoor use only. Adequate ventilation must be provided. Do not use heater outdoors.
6. Keep heater away from strong drafts, wind, water spray, rain or dripping water.
7. Do not use heater in occupied dwellings or in living or sleeping quarters.
8. Do not use heater in a basement or below ground level. Propane gas is heavier than air. If a leak occurs, propane gas may sink to the lowest possible level.

9. Keep appliance area clear and free from combustible materials, gasoline, paint thinner and other flammable vapors and liquids. Dust is combustible. Do not use heater in areas with high dust content.
10. Minimum heater clearances from combustibles:

80,000 Btu heaters

Sides: 3 feet (91 cm); Top: 6 feet (1.83 m)

200,000 Btu heaters

Sides: 3 feet (91 cm); Top: 7 feet (2.1 m)

- Locate 10 ft. (3 m) from canvas or plastic tarpaulins or similar coverings and secure them to prevent flapping or movement due to wind action.
11. Keep heater at least 6 feet (1.83 m) from propane tank(s) in USA or 10 feet (3 m) from propane tank(s) in Canada.
 12. Keep propane tank(s) below 100° F (37.8°C).
 13. Use only the hose and factory preset regulator provided with the heater.
 14. Check heater for damage before each use. Do not use a damaged heater.
 15. Check hose before each use of heater. If highly worn or cut, replace with hose specified by manufacturer before using heater.
 16. Do not alter heater. Keep heater in its original state.
 17. Do not use heater if altered.
 18. Locate heater on a stable and level surface. Do not move while heater is hot or running. Position heater properly before use.
 19. Not intended for use on finished floors.
 20. Never block air inlet (bottom of shell) or air outlet (around top of shell) of heater.
 21. Do not leave heater unattended.
 22. Keep children and animals away from heater.
 23. Never move, handle or service a hot or operating heater. Severe burns may result. You must wait 15 minutes after turning heater off.
 24. To prevent injury, wear gloves when handling heater.
 25. Never attach duct work to heater.
 26. Turn off propane supply to heater when not in use.

SAFETY

27. Use only original replacement parts. This heater must use design-specific parts. Do not substitute or use generic parts. Improper replacement parts could cause serious or fatal injuries.
28. Do not direct heat toward propane/LP cylinders within 20 ft (6 m).

UNPACKING

1. Remove all packing items applied to heater for shipment. Keep plastic cover caps (attached to inlet connector and hose/regulator assembly) for storage.
2. Remove all items from carton.
3. Check all items for shipping damage. If heater is damaged, promptly inform dealer where you bought heater.

THEORY OF OPERATION

Fuel System: The hose/regulator assembly attaches to the propane gas supply. This provides fuel to the heater.

Ignition System: The piezo ignitor lights the pilot.

Automatic Control System: This system causes the heater to shut down if the flame goes out.

PRODUCT IDENTIFICATION

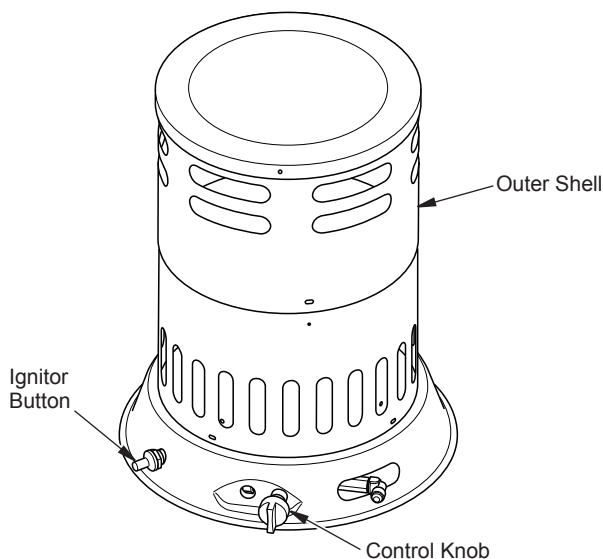


Figure 1 - 80,000 Btu Model Shown

VENTILATION

⚠ WARNING: Provide at least a 2.5 square foot (0.23 m²) opening of fresh, outside air while running heater. If proper fresh, outside air ventilation is not provided, carbon monoxide poisoning can occur. Provide proper fresh, outside air ventilation before running heater.

PROPANE SUPPLY

You must provide propane gas and propane tank(s).

Use this heater only with a propane vapor withdrawal supply system. See Chapter 5 of the *Standard for Storage and Handling of Liquefied Petroleum Gas, ANSI/NFPA 58 and/or CAN/CGA B149.2*. Your local library or fire department will have this booklet.

This heater will operate with a 20-pound (9,07 kg) propane tank. However, you can only operate it in the LOW position during mildly cool weather. At higher heat settings or during colder weather, you must use larger tanks.

The amount of propane gas ready for use from propane tanks varies. Two factors decide this amount.

1. The amount of propane gas in tank(s)
2. The temperature of tank(s)

The chart below shows the minimum number of 100-pound (45 kg) tanks needed to run the heater. Connect tanks together with a manifold.

Average Temperature °F (°C) At Tank Location	Number Of Tanks
80,000 Btu models	
20° (-6.7°) to 60° (15,6°)	1
0° (-17,8°) to 20° (-6.7°)	2
200,000 Btu models	
20° (-6.7°) to 60° (15,6°)	2
0° (-17,8°) to 20° (-6.7°)	3

Less gas is vaporized at lower temperatures. Your local propane gas dealer will help you select the proper supply system.

INSTALLATION

⚠ WARNING: Review and understand the warnings in *Safety*, page 2. They are needed to safely operate this heater. Follow all local codes when using this heater.

⚠ CAUTION: Never ignite and/or run this heater unless the shells are fully extended and locked into position.

OUTER SHELL

IMPORTANT: When the heater is first removed from carton, the outer shell is in the down position. Protect hands before lifting outer shell. Never grasp bare metal without hand protection.

1. Care must be taken to protect hands during this step. Lift outer shell straight up as shown in Figure 2, until screw holes line up and slotted holes are visible.
2. Install 3 screws in lower holes as shown in Figure 2. Let upper shell rest on lower screws. Holes and slots will line up.
3. Install 3 screws into upper holes to secure upper shell. The heater must not be operated unless the outer shell is properly extended and fully secured into place.

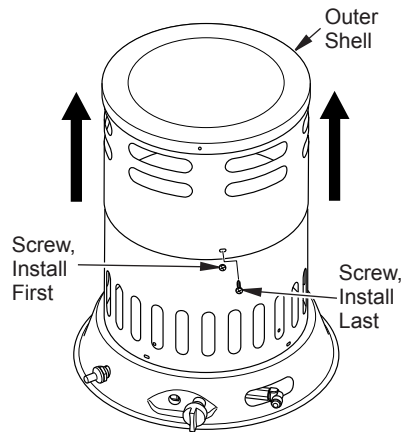


Figure 2 - Lifting Outer Shell

CONNECTING TO GAS SUPPLY

⚠ WARNING: Test all gas piping and connections for leaks after installation or servicing. Never use an open flame to check for a leak. Apply a mixture of liquid soap and water to all joints. Bubbles forming show a leak. Correct all leaks at once.

1. Provide propane supply system (see *Propane Supply*, above).

INSTALLATION

2. Connect fuel gas fitting on hose/regulator assembly to propane tank(s). Turn fuel gas fitting counterclockwise into threads on tank. Tighten firmly using a wrench. **IMPORTANT:** Tighten regulator with vent pointing down. Pointing vent down protects regulator from weather damage.
3. Connect hose to the valve inlet. Tighten firmly using a wrench. You must use the regulator supplied with heater even if propane tank has one.
4. Open propane supply valve on propane tank(s) slowly. *Note: If not opened slowly, excess-flow check valve on propane tank may stop gas flow. If this happens, you may hear a click inside the regulator assembly, this is the check valve closing. To reset the excess flow check valve, close propane supply valve and open again slowly.*
5. Check all connections for leaks. Apply mixture of liquid soap and water to gas joints. Bubbles forming show a leak that must be corrected.

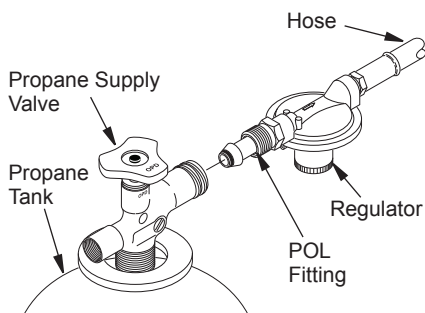


Figure 3 - Regulator Position

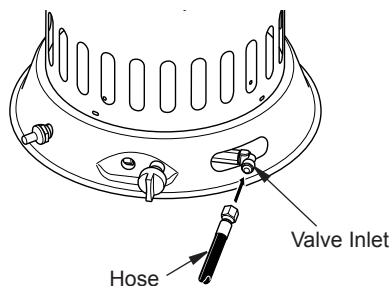


Figure 4 - Hose and Valve Inlet

OPERATION

⚠ WARNING: Review and understand the warnings in Safety, page 2. They are needed to safely operate this heater. Follow all local codes when using this heater.

80,000 BTU MODEL TO START HEATER

1. Make sure unit is turned off by slightly pressing and turning control knob fully clockwise to OFF. Open propane supply valve on propane tank(s) slowly.
2. Push and turn control knob counterclockwise to the LOW position. With the control knob pushed in, press and release the piezo ignitor button. Keep pressing piezo ignitor button until the burner lights. Hold control knob down for a maximum of 15 seconds while attempting ignition. If heater does not ignite, release control knob and wait 5 minutes before attempting reignition.

3. After ignition, hold control knob down for approximately 30 seconds. This activates the automatic control system.
4. When main burner remains lit, set heater at the desired heat level by slightly pressing the control knob and turning it counterclockwise to the Medium or High settings.
5. If burner goes out, turn off gas. Slightly press and turn control knob fully clockwise to OFF. Check fuel supply. If adequate fuel is available, restart heater beginning at step #1.

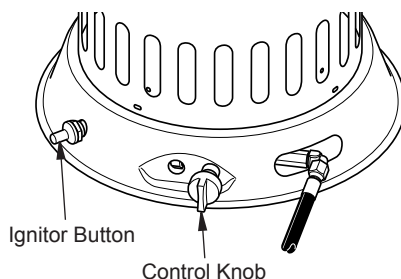


Figure 5 - 80,000 BTU Controls

OPERATION

TO STOP HEATER

1. Securely close valve on the propane cylinder.
2. Continue to operate heater until all fuel in the hose has burned.
3. Shut off main burner. Do this by turning control knob to the OFF position. Make sure you turn the knob until it stops.

TO RESTART HEATER

1. Securely close valve at propane cylinder.
2. Wait 5 minutes.
3. Restart following steps under [To Start Heater](#), page 6.

200,000 BTU MODEL

TO START HEATER

1. Open propane supply valve on propane tank(s) slowly. *NOTE: If not opened slowly, excess-flow check valve on propane tank may stop gas flow. If this happens, you may hear a click inside the regulator assembly, this is the check valve closing. To reset the excess-flow check valve, close propane supply valve and open again slowly.*

⚠ WARNING: BEFORE LIGHTING PILOT, turn control knob clockwise to the OFF position.

2. Press the red button on the safety valve admitting gas to the pilot. Push and release the ignition button until the pilot lights. Hold valve button down for a maximum of 30 seconds while attempting ignition. If heater does not ignite, release control knob and wait 3 minutes before attempting reignition. *Note: Keep hands and face away from outlet (around top of shell) of heater while attempting to start heater.*
3. When pilot remains lit, set heater at the desired heat level by turning control knob counterclockwise. If burner goes out, turn off gas. Turn control knob fully clockwise to the OFF position. Check fuel supply. If adequate fuel is available, restart heater beginning at step #1.

TO STOP HEATER

1. Tightly close propane supply valve on propane tank(s). Allow heater to burn remaining fuel in hose.
2. Shut off main burner. Do this by turning control knob fully clockwise to the OFF position. Make sure you turn the knob until it stops.

TO RESTART HEATER

1. Wait five minutes after stopping heater.
2. Restart heater by following steps under [To Start Heater](#).

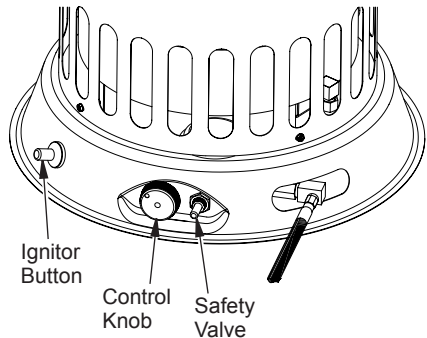


Figure 6 - 200,000 BTU Controls

STORAGE

⚠ CAUTION: Disconnect heater from propane supply tank(s).

⚠ CAUTION: Be careful not to locate fingers in grooves on side of heater, in vent holes or on bottom of shell when collapsing shell to the down position. Severe cuts may occur. Always wear hand protection when grasping bare metal.

1. The heater should be inspected before each use and at least annually by a qualified person.
2. Before each use, check the soft "O" ring seat at the bullnose of the POL fitting. If the "O" ring is cut, scuffed or otherwise damaged, replace the POL fitting.
3. When heater is not in use, the gas shall be turned off at the propane/LP gas supply cylinder(s) by closing the valve on the cylinder.
4. Heater is to be stored indoors. The connection between propane/LP gas supply cylinder(s) and heater must be disconnected, cylinder(s) removed from the heater and stored outdoors in accordance with Chapter 5 of the *Standard for Storage and Handling of Liquefied Petroleum Gases ANSI/NFPA 58 and CSA B149.1, Natural Gas and Propane Installation Code*.
5. Store in a dry, clean and safe place.

MAINTENANCE

⚠ WARNING: Never attempt to service heater while it is connected to propane supply, operating or hot. Severe burns can occur.

1. Keep heater clean.
2. Inspect heater before each use. Check connections for leaks. Apply mixture of liquid soap and water to connections. Bubbles forming show a leak that must be corrected. Correct all leaks at once.
3. Inspect hose/regulator assembly before each use. If hose is highly worn or cut, replace.
4. Have heater inspected yearly by a qualified service person.

TECHNICAL SERVICES

You may have further questions about installation, operation, or troubleshooting. If so, contact Factory Buys Direct at 1-855-607-6557.

When calling, please have your model and serial numbers of your heater ready.

ACCESSORIES

To purchase heater accessories and parts call Factory Buys Direct at 1-855-607-6557.

TROUBLESHOOTING

⚠ WARNING: Never service heater while it is plugged in, connected to propane supply, operating or hot. Severe burns and electrical shock can occur.

OBSERVED FAULT	POSSIBLE CAUSE	REMEDY
Burner fails to light.	<ol style="list-style-type: none"> 1. Propane supply valve closed on propane tank(s). 2. Excess flow check valve closed. 3. Blockage in burner orifice. 4. Piezo ignition system not sparking. 5. Pilot orifice clogged. 	<ol style="list-style-type: none"> 1. Open propane supply valve slowly. 2. Close propane supply valve on propane tank and reopen slowly. 3. Replace burner orifice. 4. Check to assure ignitor electrode gap is 0.195" Check wire lead for damage. Replace piezo ignitor and/or ignitor electrode as necessary. 5. Clean or replace pilot assembly.
Pilot lights but goes out when automatic control valve button is released.	<ol style="list-style-type: none"> 1. Not enough warm up time. 2. Low gas pressure. 3. Thermocouple loose or needs to be replaced. 4. Automatic control valve needs to be replaced. 	<ol style="list-style-type: none"> 1. Relight, hold automatic control valve button in 45 seconds. 2. Check propane tank(s) for proper gas supply. 3. Tighten connection or replace thermocouple. 4. Replace automatic control valve.
Burn rate is low.	<ol style="list-style-type: none"> 1. Control valve is on LOW. 2. Plugged gas orifice. 3. Low gas pressure. 4. Low fuel supply. 	<ol style="list-style-type: none"> 1. Turn valve counter clockwise to HIGH. 2. Replace gas orifice. 3. Check gas supply; check regulator output. 4. Consult propane gas supplier.

REPLACEMENT PARTS

Note: Use only original replacement parts. This will protect your warranty coverage for parts replaced under warranty.

PARTS UNDER WARRANTY

Contact authorized dealers of this product. If they can't supply original replacement parts, call Customer Service toll free at 1-855-607-6557 for referral information.

When calling Customer Service or your dealer, have ready:

- Your name
- Your address
- Model and serial number of your heater

- How heater was malfunctioning
- Type of gas supply and Propane/LP tank size
- Purchase date

Usually, we will ask you to return the defective part to the factory

PARTS NOT UNDER WARRANTY

Contact authorized dealers of this product. If they can't supply original replacement part(s) call Customer Service toll free at 1-855-607-6557 for referral information.

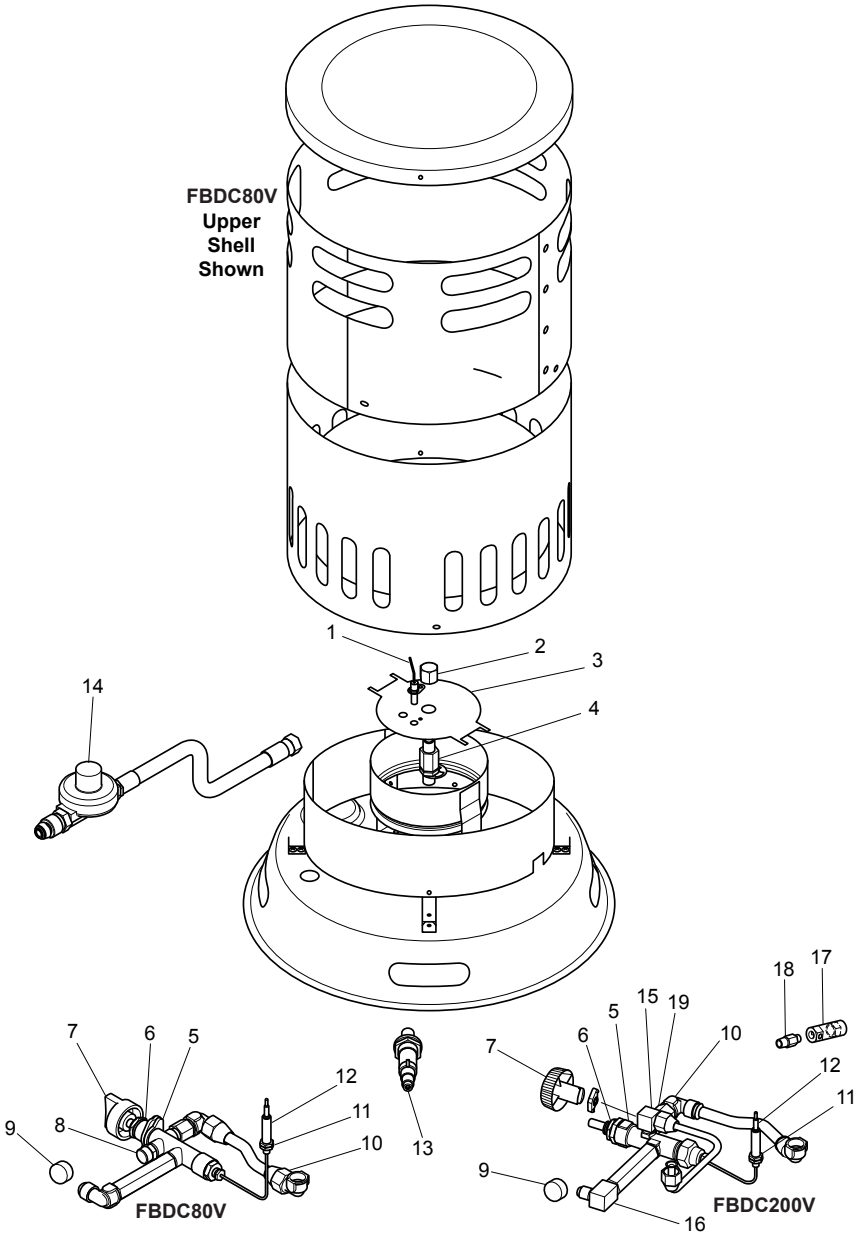
When calling Customer Service have ready:

- Model number of your heater
- The replacement part number

PARTS

MODELS FBDC80V & FBDC200V

FBDC80V
Upper
Shell
Shown



PARTS

MODELS

FBDC80V & FBDC200V

This list contains replaceable parts used in your heater. When ordering parts, follow the instructions listed under Replacement Parts on page 9 of this manual.

ITEM	FBDC80V	FBDC200V	DESCRIPTION	QTY.
1	160257-01	160290-01	Electrode	1
2	160263-01	160263-02	Nozzle	1
3	160253-01	160286-01	Heat Shield	1
4	160270-01	160270-01	Brass Nozzle Adapter	1
5	160266-01	160293-01	Control Valve	1
6	160265-01	160265-01	Valve Nut	1
7	160256-01	160304-03	Knob	1
8	160267-01	-----	Brass Cap	1
9	160528-02	160528-01	Sleeve Cap	1
10	160269-01	160269-01	Brass Elbow, 1/4" NPT x 5/8" Flare	3/2
11	160292-01	160292-01	Thermocouple Nut	2
12	160261-01	160261-01	Thermocouple	1
13	160255-01	160255-01	Piezo Ignitor	1
14	160275-01	160284-01	Hose/Regulator Assembly	1
15	-----	160296-01	Brass Elbow, 1/8" NPT x 7/16" Flare	2
16	-----	160295-01	Brass Elbow, 1/4" NPT x 7/16" Flare	1
17	-----	160298-01	Pilot Barrel Assembly	1
18	-----	160297-01	Pilot Orifice	1
19	-----	160294-05	On/Off Valve	1
PARTS AVAILABLE - NOT SHOWN				
	160274-01	160274-01	Hardware Package	1
	160313-01	160316-02	Operation Decal (English)	1
	160315-01	160315-02	Operation Decal (Spanish)	1
	160315-03	160315-04	Operation Decal (French)	1
	160312-01	160312-04	Hang Tag (English)	1
	160312-02	160312-05	Hang Tag (Spanish)	1
	160312-03	160312-06	Hang Tag (French)	1
	160316-04	160316-05	Model Decal	1

WARRANTY

KEEP THIS WARRANTY

Model _____

Serial No. _____

Date Purchased _____

Keep receipt for warranty verification.

REGISTER YOUR PRODUCT AT WWW.FACTORYBUYSDIRECT.COM

FACTORY BUYS DIRECT LIMITED WARRANTIES

New Products – Outdoor Heating

Standard Warranty: Factory Buys Direct warrants this new product and any parts thereof to be free from defects in material and workmanship for a period of one (1) year from the date of first purchase from an authorized dealer provided the product has been installed, maintained and operated in accordance with Factory Buys Direct's warnings and instructions.

For products purchased for commercial, industrial or rental usage, this warranty is limited to 90 days from the date of first purchase.

Factory Reconditioned Products

Limited Warranty: Factory Buys Direct warrants factory reconditioned products and any parts thereof to be free from defects in material and workmanship for a period 30 days from the date of first purchase from an authorized dealer provided the product has been installed, maintained and operated in accordance with Factory Buys Direct's warnings and instructions. No return will be authorized. Parts will be provided to repair the product.

Terms Common to All Warranties

The following terms apply to all of the above warranties:

Always specify model number and serial number when contacting the manufacturer. To make a claim under this warranty, the bill of sale or other proof of purchase must be presented.

This warranty is extended only to the original retail purchaser when purchased from an authorized dealer, and only when installed by a qualified installer in accordance with all local codes and instructions furnished with this product.

This warranty covers the cost of part(s) required to restore this product to proper operating condition and an allowance for labor when provided by a Factory Buys Direct Authorized Service Center or a provider approved by Factory Buys Direct. Warranty parts must be obtained through authorized dealers of this product and/or Factory Buys Direct who will provide original factory replacement parts. Failure to use original factory replacement parts will void this warranty.

Traveling, handling, transportation, diagnostic, material, labor and incidental costs associated with warranty repairs, unless expressly covered by this warranty, are not reimbursable under this warranty and are the responsibility of the owner.

Excluded from this warranty are products or parts that fail or become damaged due to misuse, accidents, improper installation, lack of proper maintenance, tampering or alteration(s).

This is Factory Buys Direct's exclusive warranty, and to the full extent allowed by law; this express warranty excludes any and all other warranties, express or implied, written or verbal and limits the duration of any and all implied warranties, including warranties of merchantability and fitness for a particular purpose to one (1) year on new products and 30 days on factory reconditioned products from the date of first purchase.

Factory Buys Direct makes no other warranties regarding this product.

Factory Buys Direct's liability is limited to the purchase price of the product and Factory Buys Direct shall not be liable for any other damages whatsoever under any circumstances including direct, indirect, incidental, or consequential damages.

Some states do not allow limitations on how long an implied warranty lasts or the exclusion or limitation of incidental or consequential damages, so the above limitation or exclusion may not apply to you.

This warranty gives you specific legal rights, and you may also have other rights which vary from state to state.



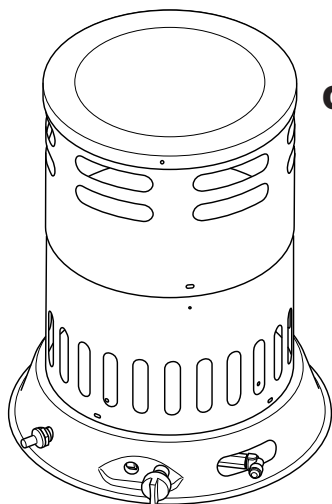
**FACTORY
BUYS
DIRECT.COM**

Factory Buys Direct
500 Brown Industrial Parkway
Canton, GA 30114
1-855-607-6557

160945-01
Rev. A
11/14



FACTORY BUYS DIRECT.COM



CALENTADOR DE CONVECCIÓN PARA CONSTRUCCIÓN DE PROPANO MANUAL DEL PROPIETARIO

VARIABLE 40-80,000 BTU/H
75-200,000 BTU/H

MODELOS
FBDC80V Y FBDC200V



IMPORTANTE: Lea y comprenda este manual antes de ensamblar, encender o dar servicio al calentador. El uso inadecuado del calentador puede causar lesiones graves. Conserve este manual para referencias futuras.

⚠ ADVERTENCIA GENERAL DE PELIGRO:

No cumplir con las precauciones e instrucciones proporcionadas con este calentador puede causar la muerte, lesiones físicas graves y pérdidas o daños a la propiedad debido al peligro de incendio, explosión, quemaduras, asfixia, intoxicación con monóxido de carbono y/o choques eléctricos.

Únicamente las personas que puedan entender y seguir las instrucciones deberán usar o dar servicio a este calentador.

Si necesita ayuda o información sobre el calentador, como manuales de instrucciones, etiquetas, etc., comuníquese con el fabricante.



Preguntas, problemas, piezas faltantes? Antes de volver a la tienda, llame a nuestro departamento de servicio al cliente al 1-855-607-6557, de 8:00 am - 4:30 pm hora estándar del este, de lunes a viernes, o por correo electrónico info@factorybuysdirect.com.

TABLA DE CONTENIDOS

Especificaciones.....	14	Almacenamiento.....	21
Seguridad	14	Mantenimiento	21
Desempaque	16	Servicio técnico	21
Teoría del funcionamiento	16	Accesorios	21
Identificación del producto.....	16	Solución de problemas	22
Ventilación	17	Piezas de repuesto.....	23
Suministro de propano	17	Piezas.....	24
Instalación	17	Garantía.....	26
Funcionamiento.....	19		

ESPECIFICACIONES

	FBDC80V	FBDC200V
Tipo de gas	Sólo propano o gas LP	
Clasificación	40,000 - 80,000 Btu/h (11.7 - 23.4 kW)	75,000 - 200,000 Btu/h (22.0 - 58.6 kW)
Presión del suministro de gas al regulador	Máx - presión del tanque	
	Mín: 1 psig (6.89 kPa)	Mín: 15 psig (103 kPa)
Presión de salida del regulador de presión del suministro de gas	22" (55.9 cm) de c.a.	10 psig (68.9 kPa)
Encendido	Encendedor piezoeléctrico	
Clasificación de temperatura ambiente mínima	0° F (-17.8° C)	0° F (-17.8° C)
Consumo de combustible	1.85 - 3.7 lb/hr (0.84 - 1.63 kg/hr)	3.5 - 9.2 lb/hr (1.57 - 4.2 kg/hr)
Número del puerto del orificio de combustible	6	6
Tamaño del puerto del orificio de combustible	0.041" (1.04 mm)	0.032" (0.81 mm)

SEGURIDAD

⚠ ADVERTENCIA: Este producto contiene y/o genera químicos que el Estado de California reconoce que causan cáncer, defectos de nacimiento u otros daños relacionados con la reproducción.

⚠ ADVERTENCIA: Peligro de incendio, quemaduras, inhalación y explosión. Mantenga los combustibles sólidos, como materiales de construcción, papel o cartón a una distancia segura del calentador según se recomienda en las instrucciones. Nunca use el calentador en espacios que contengan o podrían contener combustibles volátiles o transportados por aire o productos como gasolina, solventes, diluyente de pintura, partículas de polvo o químicos desconocidos.

⚠ ADVERTENCIA: No usar en residencias ni en vehículos recreativos.

El calentador está diseñado para utilizarse como calentador para construcción de acuerdo con el estándar ANSI Z83.7•CGA2.2.14. Otras normas rigen el uso de gases combustibles y productos de calefacción para usos específicos. La autoridad local puede informarle acerca de éstas. El propósito principal de los calentadores para construcción es proporcionar calefacción temporal a edificios en construcción, modificación o reparación. Cuando se usa correctamente, el calentador proporciona calefacción económica y segura. Los productos de combustión se ventilan al área que se está calentando.

No podemos prever todos los usos que se les pueden dar a nuestros calentadores. **CONSULTE A LA AUTORIDAD LOCAL DE SEGURIDAD CONTRA INCENDIOS SI TIENE PREGUNTAS ACERCA DEL USO DE CALENTADORES.**

Otras normas rigen el uso de gases combustibles y productos que producen calor para usos específicos. Las autoridades locales pueden informarle sobre estos.

⚠ PELIGRO: ¡La intoxicación con monóxido de carbono puede resultar en la muerte!

Intoxicación con monóxido de carbono: algunas personas sufren mayores efectos del monóxido de carbono que otras. Los primeros signos de intoxicación con monóxido de carbono se asemejan a los de la gripe, con dolor de cabeza, mareo y/o náusea. Si usted presenta estos síntomas, es posible que el calentador no esté funcionando correctamente. **¡Respire aire fresco inmediatamente!** Compruebe que haya ventilación adecuada y haga que reparen el calentador.

Gas propano: el gas propano es inodoro. Al gas propano se le agrega un agente oloroso. El olor le ayuda a detectar las fugas de gas propano. Sin embargo, el olor que se añade al gas propano puede desvanecerse. Es posible que haya gas propano presente aunque no haya ningún olor. Asegúrese de leer y comprender todas las advertencias. Conserve este manual para referencia. Es su guía para la operación segura y correcta de este calentador.

Para uso con gas propano solamente

1. Instale y use el calentador cuidadosamente. Siga las ordenanzas y los códigos locales. A falta de ordenanzas y códigos locales, consulte la *Norma de almacenamiento y manejo de gas licuado de petróleo, ANSI/NFPA 58 y el Código de instalación de gas natural y propano, CAN/CGA B149.1*. Ésta proporciona instrucciones acerca del almacenamiento y manejo seguro del propano.
2. Este producto ha sido aprobado para su uso en el Estado de Massachusetts.
3. Use solamente el montaje de gas propano para la extracción de vapores.
4. Proporcione una ventilación adecuada. Antes de usar el calentador, deje una abertura mínima de 2,5 pies² (0,23 metros²) (calentadores 80.000 BTU) o 6,0 pies² (0,56 metros²) (calentadores 200.000 BTU) para permitir la entrada de aire fresco del exterior.
5. Para uso en interiores solamente. Se debe proporcionar la ventilación adecuada. No use el calentador en exteriores.
6. Mantenga el calentador alejado de corrientes fuertes de aire, viento, rocío, lluvia o goteos de agua.

7. No use el calentador en viviendas ocupadas ni en dormitorios o alojamientos.
8. No use el calentador en un sótano ni debajo del nivel del suelo. El gas propano es más pesado que el aire. Si se produce una fuga, el gas propano se puede asentar en el nivel más bajo posible.
9. Mantenga el área cerca del aparato despejada y libre de materiales combustibles, gasolina, diluyentes para pintura y otros vapores y líquidos inflamables. El polvo es combustible. No use el calentador en áreas con un contenido alto de polvo.
10. Distancias mínimas de los combustibles:

Calentadores 80.000 BTU

Laterales: 3 pies (91 cm); Parte superior: 6 pies (1,83 m)

Calentadores 200.000 BTU

Laterales: 3 pies (91 cm); Parte superior: 7 pies (2,1 m)

Sitúe el aparato a 3 m (10 pies) de lonas, toldos o cubiertas similares y asegure éstas para evitar que se sacudan o se muevan con la acción del viento.

11. Mantenga el calentador por lo menos 1,8 m (6 pies) del tanque de propano(s) en EE.UU. o 3 m (10 pies) del tanque de propano(s) en Canadá. No apunte el calentador hacia el (los) tanque(s) de propano dentro de un área de 6 m (20 pies).
12. Mantenga los tanques de propano por debajo de los 37,8° C (100° F).
13. Use sólo la manguera y el regulador preinstalado en la fábrica que se incluyen con el calentador.
14. Antes de cada uso, verifique si el calentador ha sufrido algún daño. No use un calentador dañado.
15. Revise la manguera antes de cada uso del calentador. Si la manguera está muy desgastada o con roturas, replácela con una manguera especificada por el fabricante antes de usar el calentador.
16. No altere el calentador. Mantenga el calentador en su estado original.
17. No use el calentador si éste ha sido alterado.
18. Sitúe el calentador sobre una superficie estable y nivelada. No mover mientras el calentador está caliente o en funcionamiento. Posición el calentador correctamente antes de usar.
19. No está diseñado para su uso en pisos terminados.

SEGURIDAD

20. Nunca bloquee la entrada de aire (parte inferior de la cubierta) o la salida de aire (alrededor de la parte superior de la cubierta) del calentador.
21. No deje el calentador desatendido.
22. Evite que los niños y los animales se acerquen al calentador.
23. Nunca mueva, maneje o dé servicio a un calentador caliente o en funcionamiento. Pueden producirse quemaduras graves. Debe esperar 15 minutos después de apagar el calentador.
24. Para evitar lesiones, use guantes cuando manipule el calentador.
25. Nunca fije tubería al calentador.
26. Cierre el suministro de gas propano al calentador cuando no se esté usando.
27. Use sólo piezas de repuesto originales. Este calentador debe usar piezas diseñadas específicamente. No las sustituya ni use piezas genéricas. El uso de piezas de repuesto inadecuadas puede ocasionar lesiones graves o fatales.
28. No dirija el calor hacia los cilindros de gas propano/LP a menos de 20 pies (6 m).

DESEMPAQUE

1. Retire todos los elementos de empaque aplicados al calentador para su envío. Mantenga los tapones de plástico (fijados al ensamblaje de manguera-regulador y al conector de entrada) puestos cuando se guarde.
2. Saque todos los elementos de la caja.
3. Revise todos los elementos para ver si hay daños debidos al transporte. Si el calentador está dañado, informe de inmediato al distribuidor a quien lo compró.

TEORÍA DEL FUNCIONAMIENTO

El sistema de combustible: el ensamblaje de manguera-regulador se fija al suministro de gas propano. Esto proporciona combustible al calentador.

El sistema de encendido: el encendedor piezoeléctrico enciende el piloto.

El sistema de control automático: este sistema ocasiona que el calentador se apague si se extingue la llama.

IDENTIFICACIÓN DEL PRODUCTO

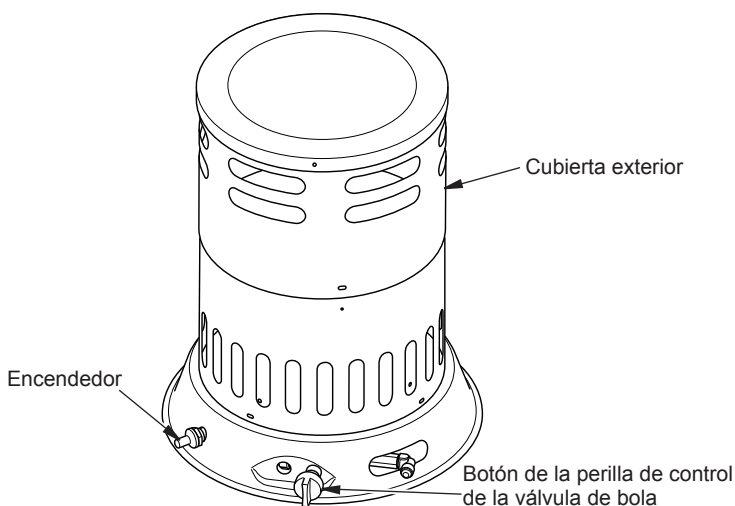


Figura 1 - Se muestra el modelo de 80.000 BTU/h

VENTILACIÓN

⚠️ ADVERTENCIA: Procure tener al menos una abertura de aire fresco del exterior de 2,5 pies² (0,23 metros²) mientras el calentador está encendido. Si no se procura ventilación de aire fresco del exterior, puede haber una intoxicación con monóxido de carbono. Procure una abertura de aire fresco del exterior antes de encender el calentador.

SUMINISTRO DE PROPANO

Usted debe proveer el gas propano y el (los) tanque(s) de gas propano.

Use el calentador solamente con un sistema de suministro con extracción de vapores de propano. Consulte el capítulo 5 de la *Norma de almacenamiento y manejo de gas licuado de petróleo, ANSI/NFPA 58 y/o la norma CAN/CGA B149.2*. La biblioteca local o el departamento de bomberos debe tener este folleto.

Este calentador funciona con un tanque de propano de 20 libras (9,07 kg). Sin embargo, sólo puede hacer funcionar el calentador en la posición BAJA cuando hace frío leve. En lugares con más calefacción o cuando el tiempo está más frío, deberá usar tanques más grandes.

La cantidad de gas propano lista para usarse de los tanques de propano varía. Dos factores determinan esta cantidad:

1. La cantidad de gas propano en el (los) tanque(s)
2. La temperatura del (de los) tanque(s)

El cuadro a continuación muestra los tanques mínimos de 100 libras (45 kg) necesarios para hacer funcionar el calentador. Conecte los tanques entre sí con un tubo múltiple.

Temperatura promedio °C (°F) en la ubicación de los tanques	Número de tanques
Modelos 80.000 BTU	
-6,7 (20°) a 15,6° (60°)	1
-17,8° (0°) a -6,7° (20°)	2
Modelos 200.000 BTU	
-6,7° (20°) a 15,6° (60°)	2
-17,8° (0°) a -6,7° (20°)	3

A temperaturas más bajas se vaporiza menos gas. El surtidor de gas de su localidad le ayudará a seleccionar el sistema de suministro apropiado.

INSTALACIÓN

⚠️ ADVERTENCIA: Revise y comprenda las advertencias en la sección ***Seguridad***, página 14. Son necesarias para hacer funcionar este calentador de manera segura. Siga todas las códigos locales al utilizar este calentador.

⚠️ PRECAUCIÓN: Nunca encienda y/o haga funcionar el calentador salvo que las cubiertas estén totalmente extendidas y aseguradas en su posición.

CUBIERTA EXTERIOR

IMPORTANTE: Cuando retire el calentador por primera vez de la caja, la cubierta exterior está en posición hacia abajo. Protéjase las manos antes de levantar la cubierta exterior. Nunca tome metal expuesto sin usar protección para las manos.

1. Debe proteger sus manos mientras realiza este paso. Levante carcasa exterior hacia arriba como se muestra en la Figura 2, en la página 18, hasta que los orificios de tornillo de línea hacia arriba y agujeros ranurados son visibles.

INSTALACIÓN

2. Instalar 3 tornillos en los orificios inferiores, como se muestra en la Figura 2. Deje reposar la cubierta superior en los tornillos inferiores. Agujeros y ranuras se alinean.
3. Instale 3 tornillos en los agujeros superiores para asegurar la cubierta superior. El aparato no debe ser utilizado a menos que la capa exterior se extiende correctamente y completamente asegurado en su lugar.

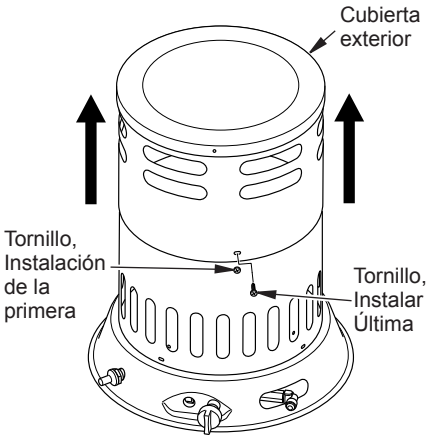


Figura 2 - Cómo levantar la cubierta exterior

CONEXIÓN A LA ALIMENTACIÓN DE GAS

⚠ ADVERTENCIA: Pruebe todas las tuberías de gas y sus conexiones para saber si hay fugas después de instalar o dar servicio. Nunca use una llama al descubierto para verificar una fuga. Aplique una mezcla de jabón líquido y agua en todas las uniones. La formación de burbujas indicará una fuga. Repare todas las fugas inmediatamente.

1. Proporcione un sistema de alimentación de propano (vea *Suministro de propano*, página 17).
2. Conecte el niple de gas combustible del ensamble de manguera-regulador a el (los) tanque(s) de propano. Gire el niple de gas combustible en el sentido contrario al de las manecillas del reloj en

las roscas del tanque. Apriete firmemente usando una llave. **IMPORTANTE:** apriete el regulador con la ventila apuntando hacia abajo. Apuntar la ventila hacia abajo protege el regulador del daño climático.

3. Conecte la manguera a la entrada de la válvula. Apriete firmemente usando una llave. Debe usar el regulador suministrado con el calentador aunque el tanque de propano ya tenga uno.
4. Abra lentamente la válvula del suministro de propano en el (los) tanque(s) de propano. *Nota: si no se abre lentamente, la válvula de exceso de flujo del tanque de propano puede detener el flujo del gas. Si esto sucede, es posible que escuche un chasquido al cerrarse la válvula de exceso de flujo. Para restablecer la válvula de exceso de flujo, cierre la válvula del suministro de propano y ábrala de nuevo lentamente.*
5. Revise todas las conexiones en busca de fugas. Aplique una mezcla de jabón líquido y agua a todas las uniones de la línea de gas. La formación de burbujas indica una fuga que se debe corregir.

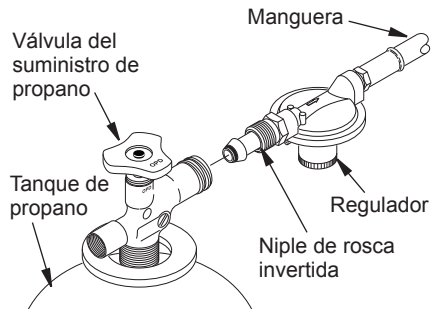


Figura 3 - Posición del regulador

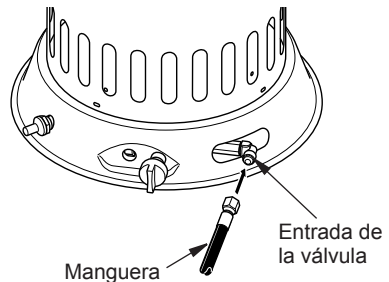


Figura 4 - Manguera y entrada de la válvula

FUNCIONAMIENTO

⚠ ADVERTENCIA: Revise y comprenda las advertencias en la sección *Seguridad*, página 14. Son necesarias para hacer funcionar este calentador de manera segura. Siga todas las códigos locales al utilizar este calentador.

80.000 BTU MODELO PARA ENCENDER EL CALENTADOR

1. Asegúrese de que la unidad esté apagada oprimiendo ligeramente y girando la perilla de control completamente en el sentido de las manecillas del reloj a la posición de APAGADO. Abra lentamente la válvula del suministro de propano en el(los) tanque(s) de propano.
2. Empuje y gire la perilla de control en sentido contrario al de las manecillas del reloj a la posición de BAJA. Con la perilla de control oprimida, presione y suelte el botón del ignitor piezo. Continúe presionando el botón del ignitor piezo hasta que se encienda el quemador. Mantenga presionada la perilla durante un máximo de 15 segundos mientras se intenta la ignición. Si el calentador no arde, suelte la perilla de control y espere 5 minutos antes de volver a intentar la ignición.
3. Después de la ignición, mantenga presionada la perilla de control durante 30 segundos aproximadamente. Esto activa el sistema de control automático.
4. Cuando el quemador principal permanezca encendido, coloque el calentador en el nivel de calor deseado oprimiendo ligeramente la perilla de control y girándola en sentido contrario al de las manecillas del reloj a las posiciones de Media o Alta.

5. Si se apaga el quemador, cierre el gas. Presione ligeramente y gire la perilla de control completamente en el sentido de las manecillas del reloj a la posición de APAGADO. Revise el suministro de combustible. Si el combustible adecuado está disponible, vuelva a encender el calentador, comenzando en el paso 1.

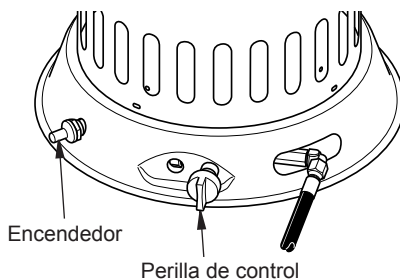


Figura 5 - 80.000 BTU Controls

PARA APAGAR EL CALENTADOR

1. Cierre firmemente la válvula del cilindro de propano.
2. Continúe haciendo funcionar el calentador hasta que todo el combustible de la manguera se haya quemado.
3. Apague el quemador principal. Hágalo girando la perilla de control a la posición de APAGADO. Asegúrese de girar la perilla hasta que se detenga.

PARA VOLVER A ENCENDER EL CALENTADOR

1. Cierre firmemente la válvula del cilindro de propano.
2. Espere 5 minutos.
3. Vuelva a encender siguiendo el procedimiento *Para encender el calentador*.

FUNCIONAMIENTO

200.000 BTU MODELO PARA ENCENDER EL CALENTADOR

1. Abra lentamente la válvula del suministro de propano en el (los) tanque(s) de propano. *Nota: Si no se abre lentamente, es posible que la válvula de exceso de flujo del tanque de propano detenga el flujo del gas. Si esto sucede, es posible que escuche un chasquido dentro del ensamblaje del regulador al cerrarse la válvula de exceso de flujo. Para restablecer la válvula de exceso de flujo, cierre la válvula del suministro de propano y ábrala de nuevo lentamente.*

⚠ ADVERTENCIA: ANTES DE ENCENDER EL PILOTO, Gire la perilla de control en sentido horario hasta la posición OFF.

2. Presione el botón rojo de la válvula del piloto de seguridad dejando así que el gas pase al piloto. Presione y suelte el botón de encendido hasta que se encienda el piloto. Mantenga presionada la botón de la válvula durante un máximo de 30 segundos mientras se intenta la ignición. Si el calentador no arde, suelte la perilla de control y espere 3 minutos antes de volver a intentar la ignición. *Nota: Mantenga las manos y la cara alejados de la salida (alrededor de la parte superior de la cubierta) del calentador mientras intenta encenderlo.*
3. Cuando el piloto permanece encendido, coloque el calentador en el nivel de calor deseado girando la válvula de control en sentido contrario al de las manecillas del reloj. Si se apaga el quemador, cierre el gas. Gire la perilla de control completamente en el sentido de las manecillas del reloj a la posición OFF. Revise el suministro de combustible. Si el combustible adecuado está disponible, vuelva a encender el calentador comenzando en el paso 1.

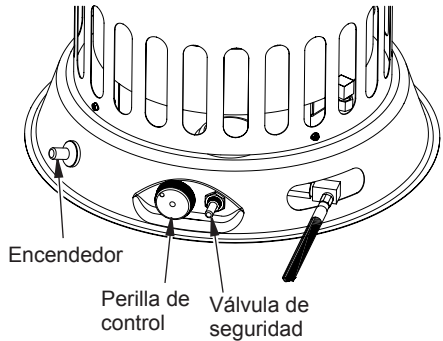


Figura 6 - 200.000 BTU Controls

PARA APAGAR EL CALENTADOR

1. Cierre firmemente la válvula del suministro de propano en el(los) tanque(s) de propano. Deje que el calentador queme el combustible que queda en la manguera.
2. Cierre la válvula del quemador principal. Hágalo girando la perilla de control completamente en el sentido de las manecillas del reloj a la posición OFF. Asegúrese de girar la perilla hasta que se detenga.

PARA VOLVER A ENCENDER EL CALENTADOR

1. Espere cinco minutos después de detener el calentador.
2. Vuelva a encender el calentador siguiendo los pasos que se indican en *Para iniciar el calentador.*

ALMACENAMIENTO

⚠ PRECAUCIÓN: Desconecte el calentador del (de los) tanque(s) de suministro de propano.

⚠ PRECAUCIÓN: Asegúrese de no colocar los dedos en las ranuras de las partes laterales del calentador, en los orificios de las ventilas o en la parte inferior de la cubierta mientras esté plegando el calentador a su posición baja. Podría recibir cortaduras graves. Siempre utilice protección en las manos cuando sujete metal expuesto.

1. El calentador debe ser inspeccionado antes de cada uso y al menos una vez al año por una persona capacitada.
2. Antes de cada uso, verifique el apoyo del anillo "O" en la esquina redondeada del niple de rosca invertida. Si el anillo "O" está cortada, golpeada o dañada de alguna manera, reemplace el niple de rosca invertida.
3. Cuando el calentador no está en uso, el gas se apaga en el cilindro de suministro de gas propano / LP (s) mediante el cierre de la válvula en el cilindro.
4. El calentador se deberá almacenar en interiores. La conexión entre los cilindros de propano o gas LP y el calentador deberá ser desconectada y los cilindros se deberán retirar del calentador y guardarse en el exterior según lo previsto en el capítulo 5 de la *Norma de almacenamiento y manejo de gas licuado de petróleo ANSI/NFPA 58 y CSA B149.1, Código de instalación de gas natural y propano*.
5. Almacénelo en un lugar seco, limpio y seguro.

MANTENIMIENTO

⚠ ADVERTENCIA: Nunca intente dar servicio a un calentador mientras esté conectado al suministro de propano, funcionando o caliente. Pueden producirse quemaduras graves.

- de fugas. Aplique una mezcla de jabón líquido y agua en todas las conexiones. La formación de burbujas indica una fuga que se debe corregir. Repare todas las fugas inmediatamente.
1. Mantenga el calentador limpio.
 2. Inspeccione el calentador antes de cada uso. Revise las conexiones en busca
 3. Inspeccione el ensamblaje de manguera-regulador antes de cada uso. Si la manguera está muy desgastada o con roturas, replácela.
 4. Haga que una persona de servicio calificada inspeccione el calentador una vez al año.

SERVICIO TÉCNICO

Es posible que tenga preguntas adicionales sobre la instalación, el funcionamiento o la solución de problemas. De ser así, póngase en contacto con Factory Buys Direct al 1-855-607-6557. Al llamar tenga a la mano los números de modelo y serie de su calentador.

ACCESORIOS

Para comprar accesorios de calentador y partes llaman Factory Buys Direct al 1-855-607-6557.

SOLUCIÓN DE PROBLEMAS

⚠ ADVERTENCIA: Nunca intente reparar un calentador mientras esté enchufado, conectado al suministro de propano, funcionando o caliente. Pueden ocurrir quemaduras graves y choques eléctricos.

FALLA OBSERVADA	POSIBLE CAUSA	REMEDIO
El quemador no se enciende.	<ol style="list-style-type: none"> 1. La válvula del suministro de propano está cerrada en el (los) tanque(s) de propano. 2. La válvula de verificación de exceso de flujo está cerrada. 3. Bloqueo en el orificio del quemador. 4. El sistema de encendido piezoeléctrico no produce chispa. 5. El orificio del piloto está obstruido. 	<ol style="list-style-type: none"> 1. Abra la válvula del suministro de propano lentamente. 2. Cierre la válvula del suministro de propano en el tanque de propano y vuelva a abrirla lentamente. 3. Reemplace el orificio del quemador. 4. Verifique para asegurar que el espacio del electrodo del encendedor es de 0,195". Revise si el cable está dañado. Reemplace el encendedor piezoeléctrico y/o el electrodo del encendedor, según sea necesario. 5. Limpie o remplace en ensamblaje del piloto.
El piloto se enciende pero se apaga cuando se suelta el botón de la válvula de control automático.	<ol style="list-style-type: none"> 1. El tiempo de calentamiento no es suficiente. 2. La presión de gas está baja. 3. El termopar está flojo o se debe reemplazar. 4. La válvula de control automático se debe reemplazar. 	<ol style="list-style-type: none"> 1. Vuelva a encender, sostenga el botón de la válvula de control automático oprimido 45 segundos. 2. Revise que el (los) tanque(s) de propano para tenga(n) un suministro de gas apropiado. 3. Apriete la conexión o reemplace el termopar. 4. Reemplace la válvula de control automático.
La tasa de combustión es baja.	<ol style="list-style-type: none"> 1. La válvula de control está encendida en BAJO. 2. El orificio de gas está tapado. 3. La presión de gas está baja. 4. El suministro de combustible está bajo. 	<ol style="list-style-type: none"> 1. Gire el contador de la válvula en el sentido de las manecillas del reloj a ALTO. 2. Reemplace el orificio de gas. 3. Verifique el suministro de gas; verifique la salida del regulador. 4. Consulte al proveedor de gas propano.

PIEZAS DE REPUESTO

Nota: use sólo piezas de repuesto originales. Esto protegerá la cobertura de su garantía para partes reemplazadas bajo la garantía.

PIEZAS CON GARANTÍA

Comuníquese con los distribuidores autorizados de este producto. Si no pueden proporcionarle las piezas originales de repuesto, llame gratis al Departamento de Servicio al Cliente al 1-855-607-6557 para obtener información de referencia.

Cuando llame a Servicio al Cliente, tenga preparados:

- su nombre,
- su dirección
- los números de modelo y de serie de su calentador,
- la falla del calentador,
- Tipo de suministro de gas y propano/LP tamaño del tanque de gas
- la fecha de compra

Por lo general, le pediremos que devuelva la pieza a la fábrica.

PIEZAS SIN GARANTÍA

Comuníquese con los distribuidores autorizados de este producto. Si no pueden suministrarle piezas de repuesto originales, llame gratis al Departamento de Servicio al Cliente al 1-855-607-6557 para obtener información de referencia.

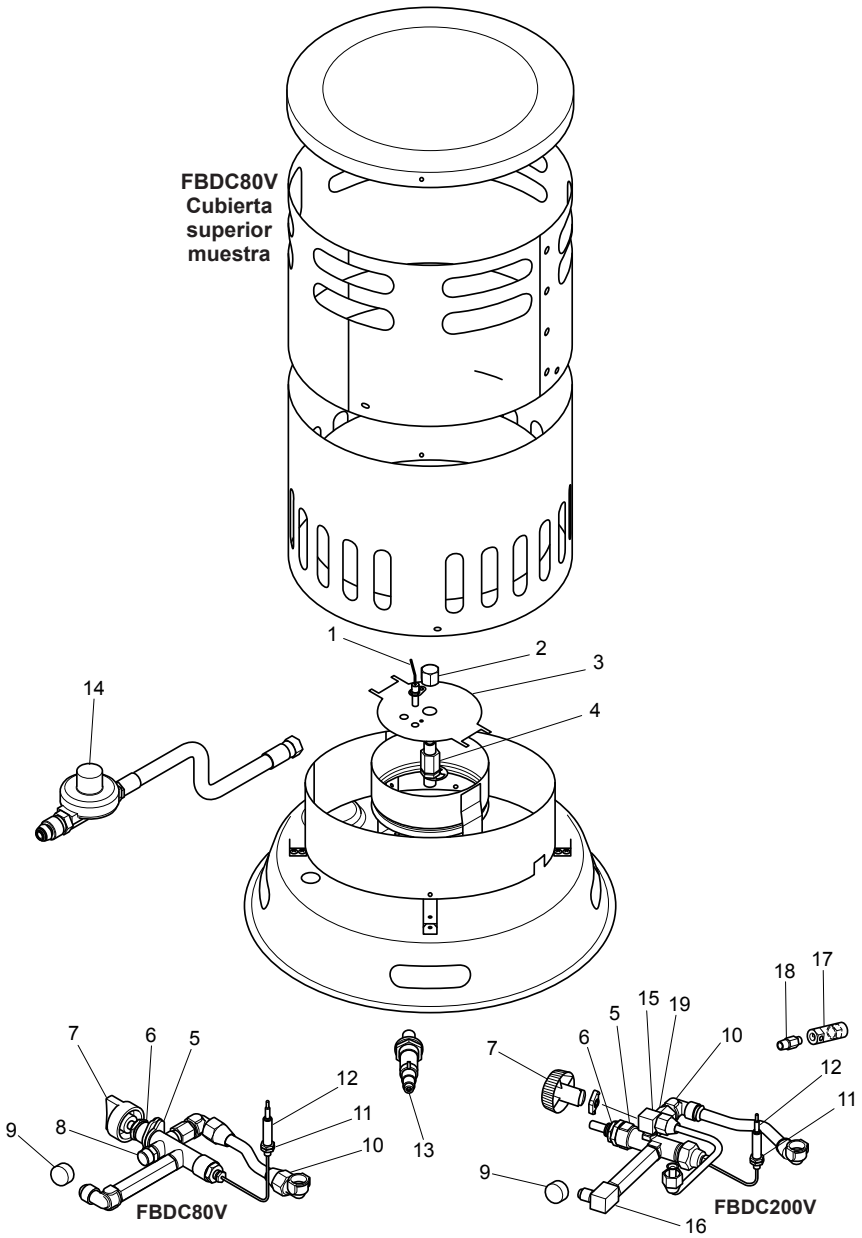
Cuando llame a Servicio al Cliente, tenga preparados:

- los números de modelo y de serie de su calentador,
- el número de la pieza de repuesto.

PIEZAS

MODELOS FBDC80V Y FBDC200V

FBDC80V
Cubierta
superior
muestra



PIEZAS

MODELOS FBDC80V Y FBDC200V

Esta lista contiene las piezas reemplazables utilizadas en el calentador. Al hacer un pedido de piezas, siga las instrucciones listadas en *Piezas de repuesto* en la página 23 de este manual.

Art.	FBDC80V	FBDC200V	Descripción	Cant.
1	160257-01	160290-01	Electrodo	1
2	160263-01	160263-02	Boquilla	1
3	160253-01	160286-01	Protector de calor	1
4	160270-01	160270-01	Adaptador de la boquilla de latón	1
5	160266-01	160293-01	Válvula de control	1
6	160265-01	160265-01	Tuerca válvula	1
7	160256-01	160304-03	Perilla	1
8	160267-01	-----	Tapa de latón	1
9	160528-02	160528-01	Tapa de enchufe	1
10	160269-01	160269-01	Codo de latón, 1/4" NPT x 5/8" Flare	3/2
11	160292-01	160292-01	Termopar tuerca	2
12	160261-01	160261-01	Termoeléctrico	1
13	160255-01	160255-01	Encendedor piezoeléctrico	1
14	160275-01	160284-01	Manguera/regulador asamblea	1
15	-----	160296-01	Codo de latón, 1/8" NPT x 7/16" Flare	2
16	-----	160295-01	Codo de latón, 1/4" NPT x 7/16" Flare	1
17	-----	160298-01	Asamblea barril piloto	1
18	-----	160297-01	Orificio piloto	1
19	-----	160294-05	Sobre/Apagado Válvula	1
PIEZAS DISPONIBLES - NO SE MUESTRAN				
	160274-01	160274-01	Paquete de hardware	1
	160313-01	160316-02	Etiqueta adhesiva de operación (Inglés)	1
	160315-01	160315-02	Etiqueta adhesiva de operación (Español)	1
	160315-03	160315-04	Etiqueta adhesiva de operación (Francés)	1
	160312-01	160312-04	Etiqueta colgante (Inglés)	1
	160312-02	160312-05	Etiqueta colgante (Español)	1
	160312-03	160312-06	Etiqueta colgante (Francés)	1
	160316-04	160316-05	Etiqueta adhesiva de modelo	1

GARANTÍA

GUARDE ESTA GARANTÍA

Modelo _____

Número de serie _____

Fecha de compra _____

Conserve su recibo para la verificación de la garantía.

REGISTRE SU PRODUCTO EN WWW.FACTORYBUYSDIRECT.COM

FACTORY BUYS DIRECT GARANTÍAS LIMITADAS

NUEVOS PRODUCTOS - CALEFACCIÓN EXTERIOR

Garantía Estándar: Factory Buys Direct garantiza que este nuevo producto y las piezas del mismo está libre de defectos en materiales y mano de obra durante un período de un (1) año a partir de la fecha de la primera compra de un distribuidor autorizado siempre que el producto se ha instalado , mantenidos y operados de acuerdo con las advertencias Factory Buys Direct's e instrucciones.

Para los productos comprados para uso comercial, industrial o para renta, esta garantía está limitada a 90 días a partir de la fecha de la primera compra.

REACONDICIONADOS EN LA FÁBRICA PRODUCTOS

Garantía Limitada: Factory Buys Direct garantiza que los productos de la fábrica reacondicionados y sus fragmentos están libres de defectos en materiales y mano de obra durante un período de 30 días a partir de la fecha de la primera compra en un concesionario autorizado, siempre que el producto haya sido instalado, mantenido y operado de conformidad con las advertencias Factory Buys Direct's e instrucciones. No hay retorno será autorizado. Las piezas se proporcionan para reparar el producto.

CONDICIONES COMUNES A TODAS LAS GARANTÍAS

Los siguientes términos se aplican a todas las garantías anteriormente mencionadas:

Siempre especifique el número de modelo y número de serie al ponerse en contacto con el fabricante. Para realizar una reclamación bajo esta garantía, la factura de venta u otra prueba de compra debe ser presentada.

Esta garantía se extiende solamente al comprador original al por menor a la compra de un distribuidor autorizado, y sólo cuando es instalado por un instalador calificado de acuerdo con todos los códigos y las instrucciones suministradas con este producto.

Esta garantía cubre el costo de la parte (s) necesario para restaurar el producto a su condición apropiada de operación y un subsidio de mano de obra cuando lo realiza un Factory Buys Direct Centro de Servicio Autorizado o un proveedor aprobado por Factory Buys Direct. Parte de la garantía debe ser obtenida a través de distribuidores autorizados de este producto y / o Factory Buys Direct, que proporcionará piezas de repuesto originales de fábrica. Si no se utiliza piezas de repuesto originales de fábrica anulará esta garantía.

Viajar, manipulación, transporte, diagnóstico, material, mano de obra y los costos incidentales asociados con reparaciones en garantía, salvo que expresamente cubiertos por esta garantía, no son reembolsables bajo esta garantía y son responsabilidad del propietario.

Quedan excluidos de esta garantía los productos o piezas que fallan o se dañan debido al mal uso, accidentes, instalación incorrecta, falta de mantenimiento adecuado, modificación o alteración (s).

Esta es la garantía Factory Buys Direct's exclusiva, y en la medida permitida por la ley, esta garantía expresa excluye cualquier garantía, expresa o implícita, escrita o verbal y limita la duración de cualquiera y todas las garantías implícitas, incluyendo las garantías de comerciabilidad y adecuación para un propósito en particular a uno (1) año en nuevos productos y 30 días en productos reacondicionados de fábrica a partir de la fecha de la primera compra.

Factory Buys Direct no ofrece ninguna garantía con respecto a este producto.

Responsabilidad Factory Buys Direct's se limita al precio de compra del producto y Factory Buys Direct no será responsable por ningún otro daño, bajo ninguna circunstancia, incluyendo daños directos, indirectos, incidentales o consecuentes.

Algunos Estados no permiten limitaciones en la duración de una garantía implícita o la exclusión o limitación de daños incidentales o consecuentes, por lo que la limitación o exclusión anterior puede no aplicarse a usted.

Esta garantía le otorga derechos legales específicos, y usted también puede tener otros derechos que varían de estado a estado.



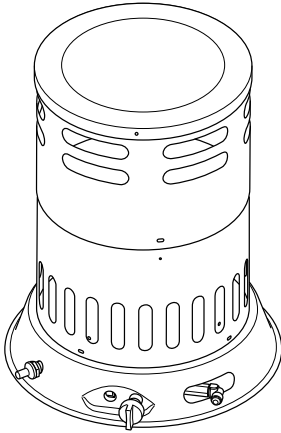
**FACTORY
BUYS
DIRECT.COM**

Factory Buys Direct
500 Brown Industrial Parkway
Canton, GA 30114
1-855-607-6557

160945-01
Rev. A
11/14



**FACTORY
BUYS
DIRECT.COM**



**CONVECTEUR DE CHANTIER AU
PROPANE MANUEL D'UTILISATION**

À CHALEUR VARIABLE

40-80 000 BTU/H

75-200 000 BTU/H

MODELS

FBDC80V ET FBDC200V



IMPORTANT : Lisez et comprenez ce guide avant d'assembler, d'allumer ou de réparer l'appareil de chauffage. Une mauvaise utilisation de l'appareil de chauffage peut causer des blessures graves. Conservez ce guide pour référence future.

⚠ AVERTISSEMENT DE RISQUE GÉNÉRAL :

Tout manquement aux précautions et aux instructions fournies avec cet appareil de chauffage peut causer la mort, des blessures corporelles graves ainsi que la perte de biens et des dommages causés par les risques associés au feu, à une explosion, aux brûlures, à l'asphyxie, à l'empoisonnement par le monoxyde de carbone et par les chocs électriques.

Seuls les individus qui comprennent et suivent les instructions peuvent utiliser ou réparer cet appareil de chauffage.

Si vous avez besoin d'assistance ou de renseignements concernant l'appareil de chauffage tels que le mode d'emploi, les étiquettes, etc., communiquez avec le fabricant.



Questions, problèmes, pièces manquantes? Avant de retourner à votre revendeur, appelez notre service à la clientèle de service au 1-855-607-6557, 08.00-16.30, heure normale de l'Est, du lundi au vendredi ou par courriel info@factorybuysdirect.com

TABLE DES MATIÈRES

Spécifications	28	Entreposage	35
Sécurité	28	Entretien	35
Déballage	30	Dépannage	36
Théorie de fonctionnement.....	30	Service technique.....	37
Identification du produit	31	Pièces de rechange.....	37
Ventilation	31	Accessoires	37
Alimentation en propane.....	31	pièces	38
Installation	32	Garantie.....	40
Fonctionnement.....	33		

SPECIFICATIONS

	FBDC80V	FBDC200V
Type de gaz	Propane ou GPL uniquement	
Rendement	40 000 - 80 000 Btu/hr (11,7 - 23,4 kW)	75 000 - 200 000 Btu/hr (22,0 - 58,6 kW)
Pression du gaz à l'entrée du régulateur	Max: Pression du réservoir	
	Min: 1 lb/po ² -jauge (6,89 kPa)	Min: 15 lb/po ² -jauge (103 kPa)
Pression du gaz à la sortie du régulateur	22 po (55,9 cm) de colonne d'eau	10 lb/po ² -jauge (68,9 kPa)
Allumage	Allumeur piézo	
Température ambiante minimale	0° F (-17,8° C)	0° F (-17,8° C)
Consommation de carburant	1,85 à 3,7 lb/h (0,84 à 1,63 kg/h)	3,5 à 9,2 lb/h (1,57 à 4,2 kg/h)
N° du port de l'orifice de carburant	6	6
Taille du port de l'orifice de carburant	0,041 po (1,04 mm)	0,032 po (0,81 mm)

SÉCURITÉ

⚠ AVERTISSEMENT : Cet appareil contient ou produit des produits chimiques déterminés par l'État de Californie comme cancérogènes et pouvant causer des malformations congénitales et d'autres problèmes liés à la reproduction.

⚠ AVERTISSEMENT : Danger d'incendie, de brûlure, d'inhalation et d'explosion. Garder les produits combustibles solides comme les matériaux de construction, le papier et les cartons à une distance sûre de l'appareil de chauffage tel que recommandé dans les instructions. Ne jamais utiliser l'appareil de chauffage dans des espaces susceptibles de contenir des combustibles volatils ou atmosphériques, ou des produits tels que de l'essence, des diluants, du solvant à peinture, des particules de poussières ou des produits chimiques inconnus.

⚠ AVERTISSEMENT : Cet appareil n'est pas conçu pour usage domestique ou dans les véhicules de camping.

Cet appareil de chauffage est conçu comme appareil de chauffage de chantier en conformité avec les normes ANSI Z83.7/CGA2.2.14. D'autres normes régissent l'utilisation des gaz combustibles et des produits de chauffage pour des utilisations particulières. Les autorités locales peuvent vous conseiller à propos de ces normes. La fonction principale des appareils de chauffage de chantier est la production temporaire de chaleur pour des édifices en construction ou en cours de modification ou de réparation. Utilisés correctement, ces appareils de chauffage représentent une source de chaleur économique et sûre. Les produits de combustion sont évacués dans l'espace qui est chauffé.

Nous ne pouvons pas prévoir toutes les utilisations possibles de nos appareils de chauffage. **VÉRIFIEZ AUPRÈS DE VOTRE RESPONSABLE LOCAL DE LA SÉCURITÉ-INCENDIE SI VOUS AVEZ DES QUESTIONS RELATIVES À L'UTILISATION DE L'APPAREIL DE CHAUFFAGE.**

D'autres normes régissent l'utilisation des gaz combustibles et des produits de chauffage pour des utilisations particulières. Les autorités locales peuvent vous conseiller à propos de ces normes.

⚠ DANGER: Intoxication au monoxyde de carbone peut conduire à la mort!

Empoisonnement au monoxyde de carbone : Certaines personnes sont plus sensibles au monoxyde de carbone que d'autres. Les premiers symptômes d'un empoisonnement au monoxyde de carbone ressemblent à la grippe avec des maux de tête, des vertiges ou de la nausée. Si vous avez ces symptômes, il se pourrait que l'appareil de chauffage ne fonctionne pas bien. **Respirez tout de suite de l'air frais !** Vérifiez si la ventilation est suffisante et faites réparer l'appareil de chauffage.

Gaz propane : Le gaz propane n'a pas d'odeur. Un produit odorant est ajouté au gaz propane. Cette odeur vous permet de détecter une fuite de propane. Cependant, cette odeur ajoutée

au propane peut se dissiper. Du gaz propane peut être présent même s'il n'y a pas d'odeur. Assurez-vous de lire et de comprendre tous les avertissements. Conservez ce mode d'emploi pour consultation future. Il vous permettra de faire fonctionner cet appareil de chauffage correctement et en toute sécurité.

Cet appareil ne doit être utilisé qu'avec du propane.

1. Installez et utilisez l'appareil de chauffage avec précaution. Suivez toutes les lois et les codes locaux. En l'absence de codes ou de règlements locaux, consultez la publication *Norme pour l'emmagasinage et la manipulation du gaz de pétrole liquéfié, ANSI/NFPA 58 et le Code d'installation du gaz naturel et propane, CAN/CGA B149.1*. Ces documents décrivent les précautions à prendre pour l'entreposage et la manutention du gaz propane.
2. Ce produit a été approuvé pour usage dans le Commonwealth du Massachusetts.
3. N'utilisez que du gaz propane composé pour le retrait de vapeur.
4. Assurez une ventilation suffisante. Avant d'utiliser l'appareil de chauffage, prévoyez une ouverture sur l'air frais extérieur d'au moins 0,232 m² (2,5 pi²) (pour les appareils de chauffage à 80 000 Btu) ou de 0,557 m² (6,0 pi²) (pour les appareils de chauffage à 200 000 Btu).
5. Usage à l'intérieur seulement. Une ventilation suffisante doit être assurée. N'utilisez pas l'appareil de chauffage à l'extérieur.
6. Protégez l'appareil de chauffage des courants d'air, du vent, des éclaboussures, de la pluie ou de l'eau ruisselante.
7. N'utilisez pas l'appareil de chauffage dans un édifice habité ou dans des endroits où l'on vit et dort.
8. N'utilisez pas l'appareil de chauffage dans un sous-sol ou sous le niveau du sol. Le gaz propane est plus lourd que l'air. Si une fuite se manifeste, le gaz propane peut s'écouler au niveau le plus bas possible.
9. Ne placez pas de matériaux combustibles, d'essence, de solvant à peinture ou d'autres vapeurs ou liquides inflammables à proximité de l'appareil. La poussière est combustible. N'utilisez pas l'appareil de chauffage là où il y a beaucoup de poussière.

SÉCURITÉ

10. Distances minimales entre l'appareil de chauffage et les produits combustibles :
- | |
|---|
| <p>Appareils de chauffage à 80 000 Btu
Sur les côtés : 91 cm (3 pi); Au-dessus : 1,83 m (6 pi)</p> <p>Appareils de chauffage à 200 000 Btu
Sur les côtés : 91 cm (3 pi); Au-dessus : 2,1 m (7 pi)</p> |
|---|
- Placez à 3 m (10 pi) des bâches de protection en plastique ou en tissus, ou des couvertures de ce type et fixez ces dernières pour qu'elles ne risquent pas de battre ou de bouger dans le vent.
11. Gardez chauffage d'au moins 1,8 m (6 pi) du réservoir de propane (s) aux USA ou 3 m (10 pi) du réservoir de propane(s) au Canada. Ne pas diriger l'appareil vers les bouteilles de propane se trouvant à moins de 6 m (20 pi).
12. Conservez les réservoirs de propane à moins de 37,8° C (100° F).
13. N'utilisez que le tuyau et le régulateur réglé en usine qui ont été fournis avec l'appareil de chauffage.
14. Vérifiez l'appareil de chauffage avant chaque utilisation. N'utilisez pas d'appareil de chauffage endommagé.
15. Avant chaque utilisation de l'appareil de chauffage, vérifiez que le tuyau n'est pas endommagé. S'il est très usé ou fendu, remplacez le tuyau par le type de tuyau spécifié par le fabricant avant d'utiliser l'appareil de chauffage.
16. Ne modifiez pas l'appareil de chauffage. Maintenez l'appareil de chauffage dans son état initial.
17. N'utilisez pas l'appareil de chauffage s'il a été modifié.
18. Placer l'appareil sur une surface stable et plane. Ne pas le déplacer quand il est chaud ou en fonctionnement. Chauffe-positionner correctement avant utilisation.
19. Pas conçu pour utilisation sur des planchers finis.
20. Ne bloquez jamais la prise d'air (partie inférieure de l'habillage) ou la sortie d'air (près de la partie supérieure de l'habillage) de l'appareil de chauffage.
21. Ne laissez pas l'appareil de chauffage sans surveillance.
22. Ne laissez pas les enfants et les animaux s'approcher de l'appareil de chauffage.
23. Ne déplacez, ne manipulez et ne révisiez jamais un appareil de chauffage brûlant ou allumé. Vous risqueriez de vous brûler gravement. Attendez 15 minutes après avoir éteint l'appareil de chauffage.
24. Pour ne pas vous blesser, portez des gants lorsque vous manipulez l'appareil de chauffage.
25. Ne raccordez jamais de tuyauterie de ventilation à l'appareil de chauffage.
26. Fermez l'alimentation en propane de l'appareil de chauffage s'il n'est pas utilisé.
27. Utilisez seulement des pièces de rechange d'origine. Cet appareil de chauffage utilise des pièces conçues spécifiquement pour lui. N'utilisez pas de substituts ou de pièces génériques. L'utilisation de pièces de rechange inadéquates peut causer des blessures graves ou fatales.
28. Ne pas la chaleur directe vers propane/ LP cylindres à moins de 20 pi (6 m).

DÉBALLAGE

1. Enlevez le matériau d'emballage appliqué sur l'appareil de chauffage pour son expédition. Conservez les bouchons en plastique (sur le raccord d'entrée et l'assemblage du tuyau et du régulateur) pour l'entreposage.
2. Retirez toutes les pièces de l'emballage.
3. Examinez toutes les pièces pour vérifier si elles ont été endommagées pendant le transport. Si l'appareil de chauffage est endommagé, informez-en au plus vite le revendeur où vous l'avez acheté.

THÉORIE DE FONCTIONNEMENT

Système d'alimentation en carburant : L'assemblage du tuyau et du régulateur est relié à l'alimentation en gaz propane. Il achemine le combustible à l'appareil de chauffage.

Circuit d'allumage : L'allumeur piézo-électrique allume la veilleuse.

Système de contrôle automatique : Ce système provoque l'arrêt de l'appareil de chauffage en cas d'extinction de la flamme.

IDENTIFICATION DU PRODUIT

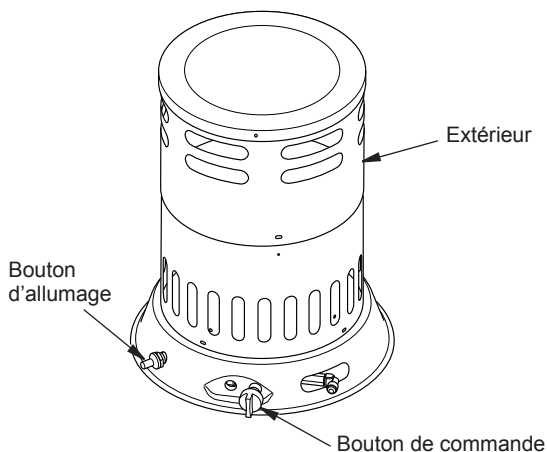


Figure 1 - Modèle à 80 000 Btu/h illustré

VENTILATION

⚠ AVERTISSEMENT : Prévoir une ouverture d'au moins 0,232 m² (2,5 pi²) permettant l'entrée d'air frais de l'extérieur quand l'appareil de chauffage fonctionne. Si aucune ventilation d'air frais de l'extérieur n'est fournie, un empoisonnement au monoxyde de carbone peut se produire. Assurer une entrée d'air frais de l'extérieur adéquate avant d'utiliser l'appareil de chauffage.

ALIMENTATION EN PROPANE

Vous devez vous procurer les réservoirs de propane et le gaz propane.

N'utilisez cet appareil de chauffage qu'avec un système d'approvisionnement à élimination de vapeurs de propane. Consultez le chapitre 5 des *Normes pour l'emménagement et la manipulation du gaz de pétrole liquéfié, ANSI/NFPA 58 et/ou CAN/CGA B149.2*. Votre bibliothèque ou votre service-incendie ont cette publication.

Cet appareil de chauffage fonctionnera sur une bouteille de propane de 9 kg (20 lb). Cependant, vous pouvez l'utiliser sur le réglage BAS s'il ne fait pas très froid. Aux réglages de chaleur supérieurs ou quand il fait plus froid, il faudra utiliser des réservoirs de plus grande capacité.

La quantité de gaz propane utilisable dans les réservoirs varie. Deux facteurs influencent cette quantité :

1. La quantité de gaz propane contenue dans les réservoirs

2. La température des réservoirs

Le tableau ci-dessous indique le nombre minimum de réservoirs de 45 kg (100 lb) à utiliser pour faire fonctionner l'appareil de chauffage. Raccordez les réservoirs entre eux avec un collecteur.

Température moyenne ambiante en °C (°F)	Nombre de réservoirs
modèles à 80 000 Btu	
de -6,7° (20°) à 15,6° (60°)	1
de -17,8° (0°) à -6,7° (20°)	2
modèles à 200 000 Btu	
de -6,7° (20°) à 15,6° (60°)	2
de -17,8° (0°) à -6,7° (20°)	3

Moins de gaz se vaporise à basse température. Votre fournisseur de gaz propane local vous aidera à choisir le système d'alimentation qui convient.

INSTALLATION

⚠ AVERTISSEMENT : Lire et comprendre les avertissements de la section Sécurité, page 28. Ils sont requis pour faire fonctionner cet appareil de chauffage sans danger. Respecter tous les codes locaux lors de l'utilisation de cet appareil de chauffage.

⚠ ATTENTION : N'allumez jamais et ne faites jamais fonctionner cet appareil de chauffage sans déployer complètement l'habillage et le verrouiller en place.

HABILLAGE EXTÉRIEUR

IMPORTANT : La première fois que vous sortez l'appareil de chauffage de son carton, l'habillage extérieur est la tête en bas. Protégez-vous les mains avant de soulever l'habillage. Ne saisissez jamais du métal nu sans protéger vos mains.

1. Prenez soin de protéger vos mains pendant cette étape. Soulevez l'enveloppe extérieure vers le haut comme le montre la figure 2, jusqu'à ce que les trous de vis de la ligne et des trous oblongs soient visibles.
2. Installez 3 vis dans les trous inférieurs comme le montre la figure 2. Laissez reposer de coque supérieure à vis inférieures. Les trous et les fentes s'alignent.

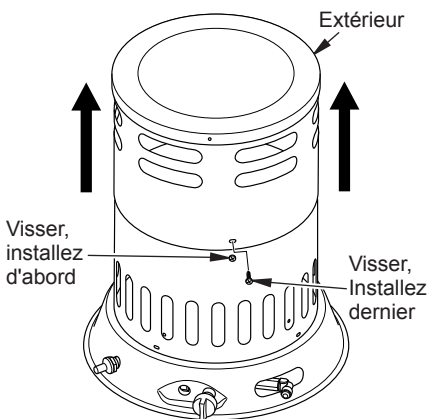


Figure 2 - Souèvement de l'habillage extérieur

3. Installez 3 vis dans les trous supérieurs pour sécuriser la coque supérieure. Le chauffage ne doit pas être utilisé à moins que la coque extérieure est correctement étendue et entièrement sécurisé en place.

CONNEXION À L'ALIMENTATION EN GAZ

⚠ AVERTISSEMENT : Vérifier toutes les conduites de gaz et les connexions pour détecter les fuites après l'installation ou la révision. Ne jamais utiliser de flamme nue pour rechercher une fuite. Appliquez une solution de savon liquide et d'eau sur tous les joints. La présence de bulles indique une fuite. Réparer toutes les fuites immédiatement.

1. Fournissez le système d'alimentation en propane (voir la section Alimentation en propane, page 31).
2. Branchez le raccord de gaz de chauffage de l'assemblage du tuyau et du régulateur sur le réservoir de propane. Tournez le raccord de gaz de chauffage dans le sens inverse des aiguilles d'une montre dans le filetage du réservoir. Resserrez fermement avec une clé. **IMPORTANT :** Serrez le régulateur en dirigeant l'évent vers le bas. Ceci le protégera de l'eau.
3. Raccordez le tuyau à l'entrée de la vanne. Resserrez fermement avec une clé. Il faut utiliser le régulateur fourni avec l'appareil de chauffage même si le réservoir de propane en a un.

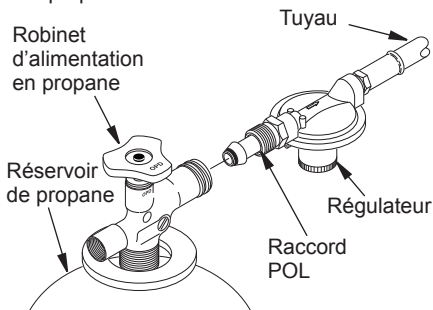


Figure 3 - Position du régulateur

INSTALLATION

4. Ouvrez lentement la vanne d'alimentation en propane du ou des réservoirs de propane. *Note : Si on ne l'ouvre pas lentement, la vanne de limitation de débit du réservoir de propane peut couper le gaz. Si cela se produit, vous pouvez entendre un clic à l'intérieur de l'assemblage du régulateur quand la vanne de limitation de débit se ferme. Pour réamorcer la vanne de limitation de débit, fermez la vanne d'alimentation en propane et rouvrez-la plus lentement.*
5. Vérifiez les fuites à chaque branchement. Appliquez une solution de savon liquide et

d'eau aux joints servant au gaz. L'apparition de bulles indique la présence d'une fuite qui doit être réparée.

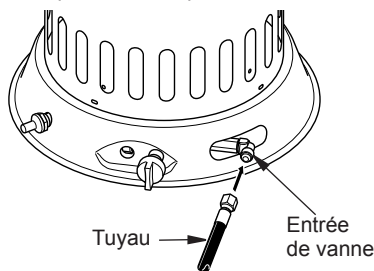


Figure 4 - Tuyau et entrée de vanne

FONCTIONNEMENT

⚠ AVERTISSEMENT : Lire et comprendre les avertissements de la section Sécurité, page 28. Ils sont requis pour faire fonctionner cet appareil de chauffage sans danger. Respecter tous les codes locaux lors de l'utilisation de cet appareil de chauffage.

80 000 BTU MODEL MISE EN MARCHÉ

1. S'assurer que l'appareil est arrêté en appuyant légèrement sur le bouton de commande et en le tournant à fond vers la droite de la position ARRÊT (OFF). Ouvrir lentement le robinet de la (des) bouteille(s) de propane.
2. Appuyer sur le bouton de commande et le tourner vers la gauche sur la position FAIBLE (LOW). Le bouton de commande étant enfoncé, appuyer sur le bouton de l'allumeur piézo-électrique et le relâcher. Continuer à appuyer sur le bouton de l'allumeur piézo-électrique jusqu'à ce que le brûleur s'allume. Maintenir le bouton de commande enfoncé pendant 15 secondes au maximum pendant la tentative d'allumage. Si l'appareil ne s'allume pas, relâcher le bouton de commande et attendre 5 minutes avant d'essayer de nouveau.
3. Après l'allumage, maintenir le bouton de commande enfoncé et attendre environ 30 secondes pour activer le système de commande automatique.
4. Quand le brûleur principal reste allumé,

régler l'appareil au niveau de chauffage désiré en appuyant légèrement sur le bouton de commande et en le tournant vers la gauche sur les réglages Moyen (Medium) ou Maximum (High).

5. Si le brûleur principal s'éteint, couper le gaz. Appuyer légèrement sur le bouton de commande et le tourner à fond vers la droite sur la position ARRÊT. Vérifier le niveau de gaz. S'il y a assez de gaz, redémarrer l'appareil en commençant à l'étape 1.

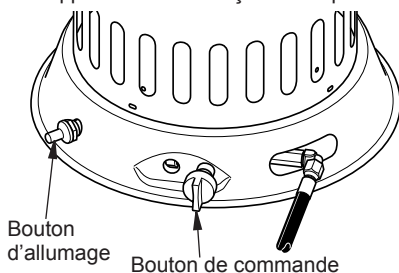


Figure 5 - 80 000 BTU Controls
ARRÊT DE L'APPAREIL

1. Bien fermer le robinet de la (des) bouteille(s) de propane. Laisser à l'appareil le temps de brûler le gaz se trouvant dans le flexible.
2. Arrêter le brûleur. Pour ce faire, appuyer sur le bouton de commande et le tourner vers la droite sur la position ARRÊT.

REMISE EN MARCHÉ

1. Attendre cinq minutes après l'arrêt de l'appareil.
2. Redémarrer l'appareil en suivant les étapes de la section Mise en marche.

FONCTIONNEMENT

200 000 BTU MODEL

MISE EN MARCHÉ

1. Ouvrir lentement le robinet de la (des) bouteille(s) de propane. *Remarque: Si le robinet n'est pas ouvert lentement, il est possible que la soupape de sûreté de la bouteille coupe l'arrivée du gaz. Dans ce cas, un déclic peut se faire entendre à l'intérieur du détendeur lors de la fermeture de la soupape de sûreté. Pour remettre la soupape de sûreté à sa position d'origine, fermer le robinet et l'ouvrir de nouveau lentement.*

⚠ AVERTISSEMENT : AVANT D'ALLUMER LA VEILLEUSE, tourner le bouton de commande dans le sens horaire à la position OFF.

2. Appuyez sur le bouton rouge de la vanne de la veilleuse de sécurité qui alimente la veilleuse en gaz. Appuyez sur le bouton d'allumage et relâchez-le jusqu'à ce que la veilleuse s'allume. Maintenir le bouton de vanne enfoncé pendant 30 secondes au maximum pendant la tentative d'allumage. Si l'appareil ne s'allume pas, relâcher le bouton de commande et attendre 3 minutes avant d'essayer de nouveau. *Remarque : Ne pas approcher les mains et le visage de la sortie (près du dessus du couvercle) de l'appareil pendant l'essai de démarrage.*
3. Quand la veilleuse reste allumé, régler l'appareil au niveau de chauffage désiré en tournant le bouton de commande vers

la gauche. Si le brûleur principal s'éteint, couper le gaz. Tourner le bouton de commande à fond vers la droite à la position OFF. Vérifier le niveau de gaz. S'il y a assez de gaz, redémarrer l'appareil en commençant à l'étape 1.

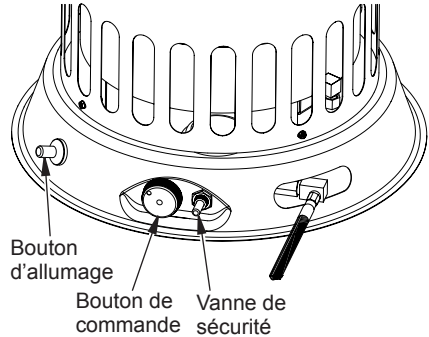


Figure 6 - 200 000 BTU Controls

ARRÊT DE L'APPAREIL

1. Bien fermer le robinet de la (des) bouteille(s) de propane. Laisser à l'appareil le temps de brûler le gaz se trouvant dans le flexible.
2. Fermer la vanne du brûleur principal. Pour ce faire, tourner le bouton de commande complètement à droite sur la position OFF. Veiller à tourner le bouton jusqu'à ce qu'il s'arrête.

REMISE EN MARCHÉ

1. Attendre cinq minutes après l'arrêt de l'appareil.
2. Redémarrer l'appareil en suivant les étapes de la section Mise en marche.

ENTREPOSAGE

⚠ ATTENTION : Débranchez l'appareil de chauffage des réservoirs de propane.

⚠ ATTENTION : Faites attention de ne pas mettre vos doigts dans les fentes qui se trouvent sur les côtés de l'appareil de chauffage, dans les prises d'air ou en dessous de l'habillage lorsque vous rabaissez l'appareil de chauffage. Vous risqueriez des coupures graves. Portez toujours des gants de protection pour saisir du métal nu.

1. L'appareil de chauffage devrait être vérifié avant chaque utilisation et au moins une fois l'an par un technicien compétent.
2. Avant chaque utilisation, examinez le siège du joint torique de l'embout du raccord POL. Si le joint torique est coupé, usé ou endommagé, remplacez le raccord POL.
3. Lorsque chauffage n'est pas en cours d'utilisation, le gaz doit être coupée au niveau du cylindre d'alimentation en gaz propane / LP (s) en fermant le robinet de la bouteille.
4. L'appareil de chauffage doit être entreposé à l'intérieur. L'appareil de chauffage doit être déconnecté des bouteilles de propane ou de GPL et les bouteilles doivent être retirées de l'appareil de chauffage et entreposées à l'extérieur conformément au chapitre 5 de la *Norme pour l'emmagasiner et la manipulation des gaz de pétrole liquéfiés ANSI/NFPA 58 et du Code d'installation du propane et du gaz naturel, CSA B149.1*.
5. Entreposez l'appareil de chauffage dans un endroit sec, propre et sans danger.

ENTRETIEN

⚠ AVERTISSEMENT : Ne jamais tenter de réparer l'appareil de chauffage pendant qu'il est branché au réservoir de propane, qu'il est en utilisation ou qu'il est brûlant. Des brûlures graves peuvent en résulter.

1. Gardez l'appareil de chauffage propre.
2. Inspectez l'appareil de chauffage avant chaque utilisation. Vérifiez que les branchements ne fuient pas. Appliquez une solution de savon liquide et d'eau aux raccords. L'apparition de bulles indique la présence d'une fuite qui doit être réparée. Réparez toutes les fuites immédiatement.
3. Inspectez l'assemblage du tuyau et du régulateur avant chaque utilisation. Si le tuyau est très usé ou fendu, remplacez-le.
4. Faites inspecter l'appareil de chauffage une fois l'an par un technicien de service qualifié.

DÉPANNAGE

⚠ AVERTISSEMENT : Ne jamais réparer l'appareil de chauffage lorsqu'il est branché, connecté à l'alimentation de gaz, en marche ou brûlant. Des brûlures et des chocs électriques graves peuvent se produire.

PROBLÈME OBSERVÉ	CAUSE POSSIBLE	SOLUTION
Le brûleur ne s'allume pas.	<ol style="list-style-type: none"> 1. La vanne d'alimentation en propane des réservoirs de propane est fermée. 2. La vanne de limitation du débit est fermée. 3. L'orifice du brûleur est bouché. 4. Le système d'allumage piézo-électrique ne produit pas d'étincelles. 5. L'orifice de la veilleuse est bouché. 	<ol style="list-style-type: none"> 1. Ouvrez lentement la vanne d'alimentation en propane. 2. Fermez le robinet d'alimentation en propane du réservoir de propane et rouvrez-le lentement. 3. Remplacez l'orifice du brûleur. 4. Vérifiez que l'écartement de l'électrode d'allumage est de 5 mm (0,195 po). Vérifiez que le fil électrique n'est pas endommagé. Remplacez l'allumeur piézo-électrique ou l'électrode d'allumage selon les besoins. 5. Nettoyez ou remplacez l'assemblage de la veilleuse.
La veilleuse s'allume, mais elle s'éteint dès que le bouton de la vanne de contrôle automatique est relâché.	<ol style="list-style-type: none"> 1. Le préchauffage ne dure pas assez longtemps. 2. La pression du gaz est trop faible. 3. Le thermocouple est desserré ou doit être remplacé. 4. La vanne de contrôle automatique doit être remplacée. 	<ol style="list-style-type: none"> 1. Rallumez et appuyez sur le bouton de la vanne de contrôle automatique pendant 45 secondes. 2. Vérifiez que les réservoirs de propane fournissent une alimentation en gaz adéquate. 3. Resserrez le branchement ou remplacez le thermocouple. 4. Remplacez la vanne de contrôle automatique.
Le taux de combustion est bas.	<ol style="list-style-type: none"> 1. La vanne de contrôle est sur Low (BAS). 2. L'orifice de gaz est bouché. 3. La pression du gaz est trop faible. 4. Il n'y a pas assez de carburant. 	<ol style="list-style-type: none"> 1. Tournez la vanne dans le sens inverse des aiguilles d'une montre pour la mettre sur High (HAUT). 2. Remplacez l'orifice de gaz. 3. Vérifiez l'alimentation en gaz et la sortie du régulateur. 4. Consultez la compagnie de gaz propane.

SERVICE TECHNIQUE

Vous aurez peut-être d'autres questions concernant l'installation, le fonctionnement ou le dépannage. Si c'est le cas, appelez Factory Buys Direct au 1-855-607-6557.

Lorsque vous appelez, veuillez avoir les numéros de modèle et de série de votre appareil de chauffage sous la main.

PIÈCES DE RECHANGE

Remarque : Utilisez uniquement des pièces de rechange d'origine. Ceci protégera la garantie des pièces remplacées sous garantie.

PIÈCES SOUS GARANTIE

Communiquez avec des vendeurs autorisés de ce produit. S'ils ne peuvent pas vous fournir de pièces de rechange d'origine, composez sans frais le service à la clientèle au 1-855-607-6557 pour obtenir des informations de référence.

Quand appeler le service clientèle ou votre revendeur, avoir en main:

- votre nom
- votre adresse
- le modèle et le numéro de série de votre appareil de chauffage
- une description de la panne de l'appareil de chauffage
- Type de l'approvisionnement en gaz et propane/LP taille du réservoir
- la date d'achat

En général, nous vous demanderons de retourner la pièce à l'usine.

PIÈCES QUI NE SONT PAS SOUS GARANTIE

Communiquez avec des vendeurs autorisés de ce produit. S'ils ne peuvent pas vous fournir de pièces de rechange d'origine (s) appelez le service clientèle au numéro sans frais 1-855-607-6557 pour obtenir des informations à référence.

Lors de l'appel de service à la clientèle avoir sous la main:

- le modèle et le numéro de série de votre appareil de chauffage
- le numéro de la pièce de rechange

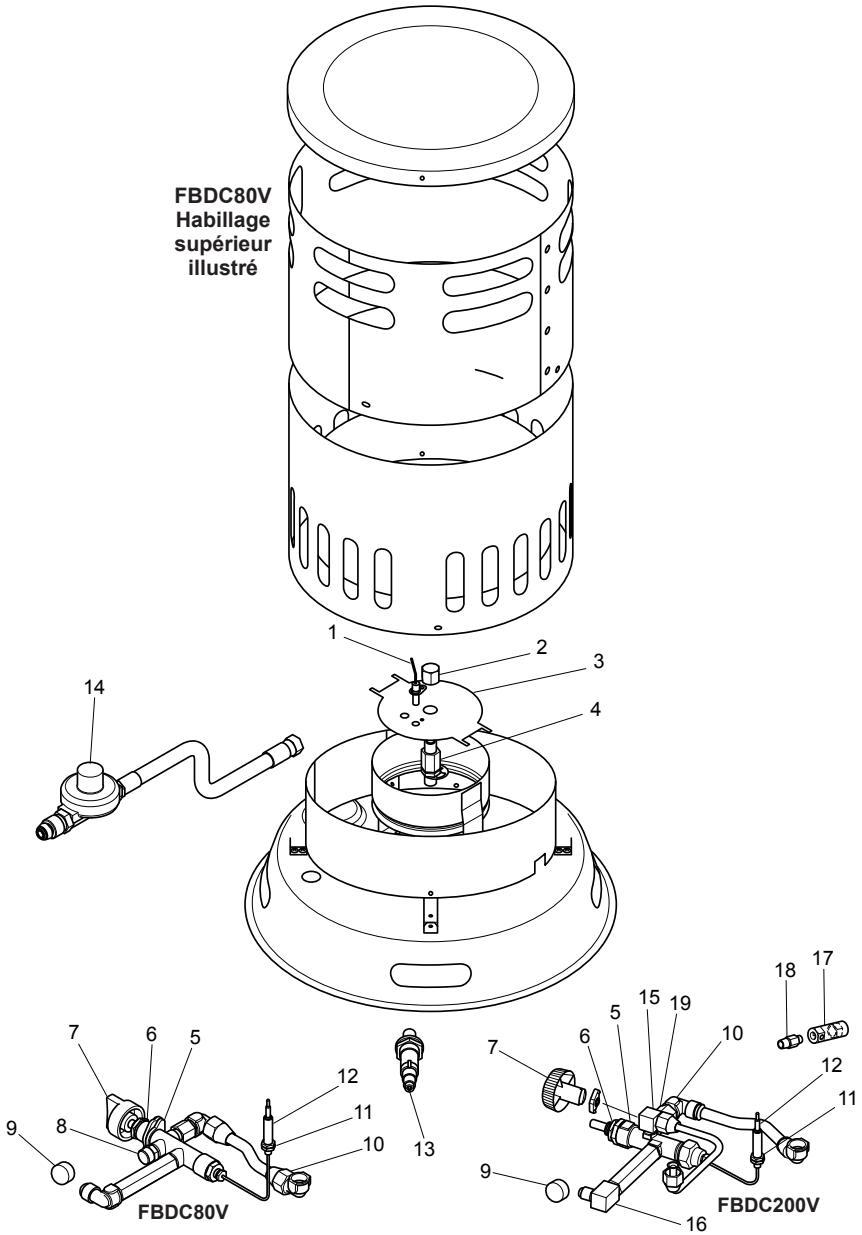
ACCESSOIRES

Pour acheter des accessoires et pièces chauffage appellent Factory Buys Direct au 1-855-607-6557.

PIÈCES

MODÈLES FBDC80V ET FBDC200V

FBDC80V
Habillage
supérieur
illustré



PIÈCES

MODÈLES FBDC80V ET FBDC200V

Cette liste contient les pièces de rechange utilisées dans votre appareil de chauffage. Quand vous commandez des pièces, reportez-vous aux instructions de la section Pièces de rechange, à la page 37 de ce mode d'emploi.

N°	FBDC80V	FBDC200V	DESCRIPTION	QTÉ
1	160257-01	160290-01	Électrode	1
2	160263-01	160263-02	Buse	1
3	160253-01	160286-01	Plaque de protection thermique	1
4	160270-01	160270-01	Laiton adaptateur buse	1
5	160266-01	160293-01	Vanne de contrôle	1
6	160265-01	160265-01	Écrou de vanne	1
7	160256-01	160304-03	Bouton	1
8	160267-01	-----	Bouchon en laiton	1
9	160528-02	160528-01	Manchon de bouchon	1
10	160269-01	160269-01	Raccord en laiton, 1/4" NPT x 5/8" Flare	3/2
11	160292-01	160292-01	Écrou du thermocouple	2
12	160261-01	160261-01	Thermocouple	1
13	160255-01	160255-01	Allumeur piézo-électrique	1
14	160275-01	160284-01	Tuyau/Assemblée du régulateur	1
15	-----	160296-01	Raccord en laiton, 1/8" NPT x 7/16" Flare	2
16	-----	160295-01	Raccord en laiton, 1/4" NPT x 7/16" Flare	1
17	-----	160298-01	Assemblée barrel pilote	1
18	-----	160297-01	Orifice pilote	1
19	-----	160294-05	On/Arrêt Vanne	1
PIÈCES DISPONIBLES - PAS ILLUSTRÉES				
	160274-01	160274-01	Ensemble du matériel	1
	160313-01	160316-02	Décalque fonctionnement (en anglais)	1
	160315-01	160315-02	Décalque fonctionnement (en espagnol)	1
	160315-03	160315-04	Décalque fonctionnement (en français)	1
	160312-01	160312-04	Étiquette à fil (en anglais)	1
	160312-02	160312-05	Étiquette à fil (en espagnol)	1
	160312-03	160312-06	Étiquette à fil (en français)	1
	160316-04	160316-05	Décalque de modèle	1

GARANTIE

GARDEZ CETTE GARANTIE

Modèle _____

N ° de série _____

Date d'achat _____

Conserver la facture pour vérification de la garantie.

ENREGISTREZ VOTRE PRODUIT À WWW.FACTORYBUYSDIRECT.COM

FACTORY BUYS DIRECT GARANTIES LIMITÉES

Nouveaux Produits - Chauffage Extérieur

Garantie Standard: Factory Buys Direct garantit que ce nouveau produit et de ses parties d'être exempt de vices de matériaux et de fabrication pour une période de un (1) an à compter de la date du premier achat chez un revendeur agréé à condition que le produit a été installé, entretenu et exploité conformément avec des avertissements de la Société et les instructions.

Pour les produits achetés pour un usage commercial, industriel ou de la location, cette garantie est limitée à 90 jours à compter de la date du premier achat.

Produits Reconditionnés en Usine

Garantie Limitée: Factory Buys Direct garantit que les produits reconditionnés en usine et toutes les parties de celui-ci est exempt de vices de matériaux et de fabrication pour une période de 30 jours à compter de la date du premier achat chez un revendeur agréé à condition que le produit a été installé, entretenu et exploité conformément aux avertissements Factory Buys Direct et instructions. Aucun retour ne sera autorisée. Les pièces seront fournies à la réparation du produit.

Conditions Communes à Tous les Garanties

Les conditions suivantes s'appliquent à l'ensemble des garanties ci-dessus:

Toujours spécifier le numéro de modèle et le numéro de série lorsque vous contactez le fabricant. Pour faire une réclamation sous cette garantie, la facture de vente ou autre preuve d'achat doit être présentée.

Cette garantie est accordée uniquement à l'acheteur original au détail lors de l'achat chez un revendeur agréé, et seulement lorsqu'il est installé par un installateur qualifié en conformité avec tous les codes locaux et instructions fournies avec ce produit.

Cette garantie couvre le coût de la partie(s) nécessaire pour restaurer ce produit à l'état de fonctionnement correct et une allocation de main-d'œuvre lorsqu'ils sont fournis par un Factory Buys Direct centre de service autorisé ou un fournisseur approuvé par Factory Buys Direct. Garantie pièces doit être obtenu par des courtiers autorisés de ce produit et / ou Factory Buys Direct, qui fournira des pièces de rechange d'usine. Si vous n'utilisez pas des pièces de rechange d'usine annulera cette garantie.

Voyager, la manutention, le transport, de diagnostic, matériel, main-d'œuvre et les frais accessoires liés à des réparations sous garantie, sauf si expressément couverts par cette garantie, ne sont pas remboursables en vertu de cette garantie et sont la responsabilité du propriétaire.

Sont exclus de cette garantie sont des produits ou des pièces qui tombent en panne ou sont endommagés en raison d'une mauvaise utilisation, d'accidents, mauvaise installation, manque d'entretien approprié, la falsification ou altération (s).

C'est la garantie Factory Buys Direct exclusif de l', et dans toute la mesure permise par la loi; cette garantie expresse exclut toute autre garantie, expresse ou implicite, écrite ou verbale, et limite la durée de toutes les garanties implicites, y compris garanties de qualité marchande et d'adéquation à un usage particulier à un (1) an sur les nouveaux produits et 30 jours sur les produits reconditionnés en usine à partir de la date du premier achat.

Factory Buys Direct n'offre aucune garantie concernant ce produit.

La responsabilité Factory Buys Direct est limitée au prix d'achat du produit et Factory Buys Direct n'est pas responsable de tout dommage que ce soit d'autres en toutes circonstances, y compris directs, indirects, accidentels ou indirects.

Certains États n'autorisent pas les limitations sur la durée d'une garantie implicite ou l'exclusion ou la limitation des dommages fortuits ou consécutifs, de sorte que la limitation ou l'exclusion peut ne pas s'appliquer à vous.

Cette garantie vous donne des droits légaux spécifiques, et vous pouvez également avoir d'autres droits qui varient d'État à État.



**FACTORY
BUYS
DIRECT.COM**

Factory Buys Direct
500 Brown Industrial Parkway
Canton, GA 30114
1-855-607-6557

160945-01
Rev. A
11/14