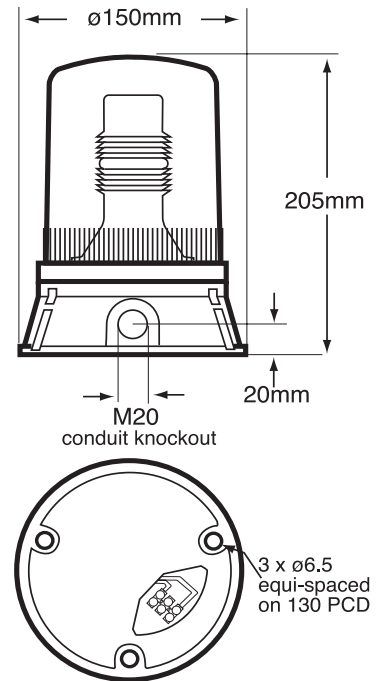




# Visual Signals **XENON** **BEACONS**



## Industrial Xenon Beacons > X401/400 Series

### Product overview

The X401/400 series are suitable for security & general industrial signalling applications where a more robust and powerful signal is required.

These beacons are of the Flashing mode type (single stage alarm) Xenon beacons (sometimes called strobes) are controlled via a PCB and put out a very brief but very bright flash of white light by ionizing and then discharging a

large current through the xenon gas. The design allows for termination inside the enclosure.

This range of beacons incorporates an internal Fresnel lens designed to maximise the light intensity and has a double flash option (activated by a slide switch on the PCB) that extends the signal duration making it more noticeable to the human eye. The DC unit is factory set at 24v but a slide switch on the PCB can change it to 12v operation.

## X401/400 Series > Ordering Information

Code No:	Voltage:	Light Source:	Current:
X401-18 •	12/24v Dc ---	Xenon 10J / 7.5J	1.45 / 0.7 A
X401-19 ••	12/24v Dc ---	Xenon 10J / 7.5J	1.45 / 0.7 A
X400-88	24v Ac ~	Xenon 10J / 7.5J	0.72 A
X400-89 •••	48v Ac ~	Xenon 7J / 5J	0.37 A
X400-21	115v Ac ~	Xenon 10J / 7.5J	0.10 A
X400-22	230v Ac ~	Xenon 10J / 7.5J	0.06 A

- Pre-set at 24v Dc ---
- Diode Polarised for Fire Alarm Systems
- Ambient Temperature Range -25°C to +35°C

ADD THE FOLLOWING LENS CODES TO THE PRODUCT WHEN ORDERING



### Features

- Continuously rated
- High light output
- Suitable for surface or wall mounting
- Optional wall bracket & guard available - see accessories
- 3 point fix
- M20 side entry or bottom cable entry
- 360° light output around the vertical axis
- 180° light output above the horizontal axis
- Dustproof and Weatherproof

### Material

UV Stable Polycarbonate Lens  
UV Stable ABS Plastic Base

**Kg** 0.82

50/60 **Hz**

°C -25+55

**IP** 65

**FPM** 60x90

**INDUSTRIAL**

APPROVALS and  
CONFORMITIES

