

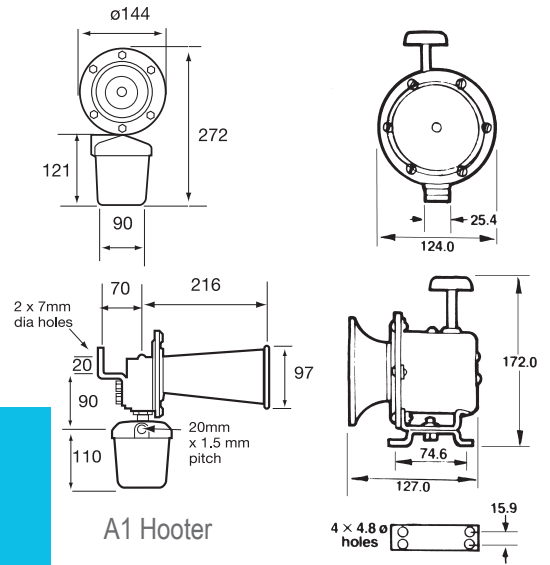
Acoustic Signals - Industrial MANUAL OR MOTOR DRIVEN HOOTERS



A1 Hooter



ES Manual Hooter



A1 Hooter

ES Manual Hooter

Acoustic Signals Industrial Hooters > ES Manual & A1 Series

Product overview

The ES is a manually operated hooter producing the unique 'Klaxon' sound for applications where a power supply is unavailable.

Typical applications include small boats, canal barges, mine trucks and fork lift trucks.

The ES gives a powerful sound which, with its low frequency tone, makes it an effective warning device.

The A1 is a powerful motor driven hooter giving the unique 'klaxon' sound.

The high output, low frequency resonating sound gives a powerful warning tone.

With a sound output of 120dB, it can cut through background noise in almost any environment and is ideal for use as a time signalling alarm or process alarm in the noisiest factory.

In addition, the A1 can be used on barges, work boats and dock sides and for other similar marine applications.

Features

A1 Hooter

- Powerful, high output
- 120 dB
- Robust construction
- Weatherproof to IP65

ES Manual Hooter

- Manual operation - no power supply required
- Lightweight and compact
- Robust and reliable
- IP54

Material

A1 Hooter

Die cast aluminium & Zinc
Mild Steel
ABS Plastic

ES Manual Hooter

Mild steel

ES Manual & A1 Series > Ordering Information

Code No:	Voltage:	Frequency:	Current:
A1 Hooter (A1)			
AHA1-2000	12v Dc ---	420 Hz	5.0 A
AHA1-2001	24v Dc ---	420 Hz	2.30 A
AHA1-2002	48v Dc ---	420 Hz	1.30 A
AHA1-2004	115v Ac ~	420 Hz	0.84 A
AHA1-2003	230v Dc ---	420 Hz	0.80 A
AHA1-2006	230v Ac ~	420 Hz	0.76 A
ES Manual Hooter (ES)			
AHES-1290	n/a	150-350 Hz	n/a

Kg 2.0 (A1)
1.20 (ES)

50/60Hz (A1)

°C -20+66 (A1)

IP 65 (A1)
54 (ES)

(A1) ON 2 MIN
OFF 5 MIN

dB 120 (A1)
103 (ES)

APPROVALS and
CONFORMITIES



MARINE



INDUSTRIAL