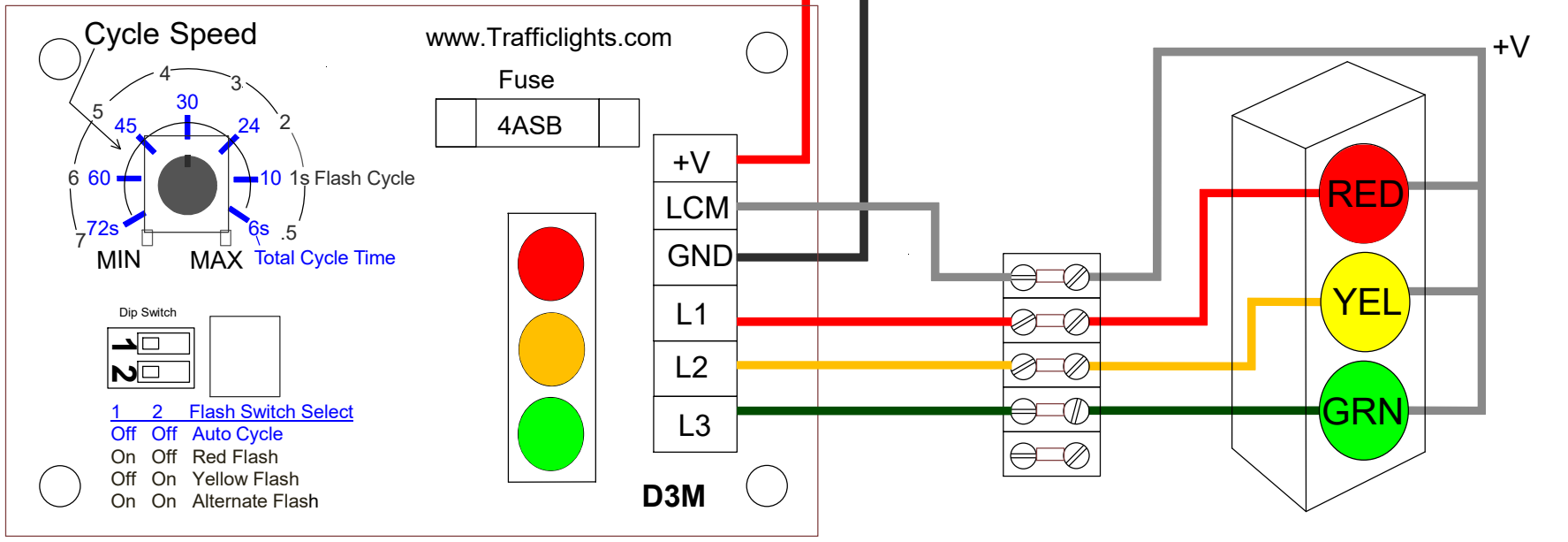


**Model D3M 3 Light  
DC Traffic Signal Control**

**12-24VDC SUPPLY** V+  
V- (ground)



D3 - 3 Light DC Traffic Signal Sequencer,  
D3E-3 Light DC RR Block Signal Sequencer,  
Adjustable speed cycle with adjustable flash  
modes. Speed control is read once per cycle  
prior to Red light phase. F or DC Loads, LED  
or Incandescent 0 to 4A per channel.

Notes:  
Power Supply 12 to 24VDC  
Fuse 4A SloBlo, 250V 5x20 mm Type  
4A(50W@ 12V) max load/ channel,  
4A(100W@24V)max load / channel,  
Incandescent or LED Lamps loads

**WIRING DIAGRAM**

*Lights To Go*  
208 E Silkknitter St  
Rose Hill, KS 67133

316.409.4911  
sales@lightstogo.com

www.trafficlights.com

3 Light, DC Traffic Signal Control - Model D3M