

D3M 3 Light Control for 12V DC Signal Lights



The D3M 3 Light Controller is intended to operate a single R-Y-G DC traffic light in an realistic Traffic Signal pattern i.e. changing automatically from Green to Yellow to Red then back to green, to complete the cycle. Note the yellow light is never longer than 5sec in this model. The D3E model is made specifically to cycle a 3 light Rail Road block signal at a slower (1/2) traffic light rate for display purposes. On the D3E the yellow time is always equal to the Red and Green time. The speed can be set from 5secs to > 2 mins.

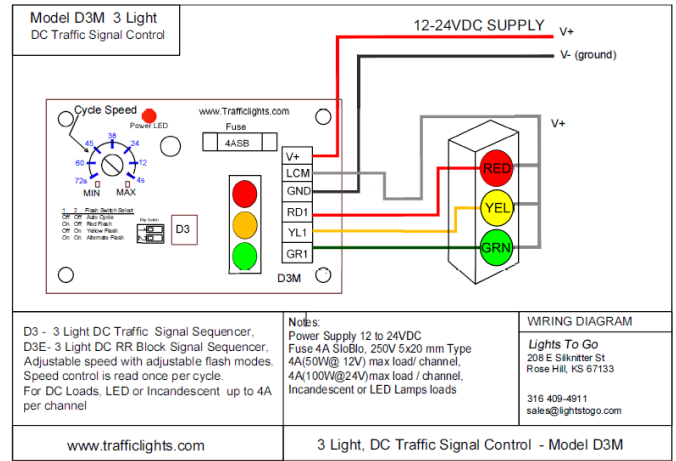
The Model D3M control is adjustable over a wide range of speeds. It is also totally silent does not make a click-clack sound each time the light changes. It is high powered and will drive most common rail road block signals and most DC Traffic Signal Displays.

Features:

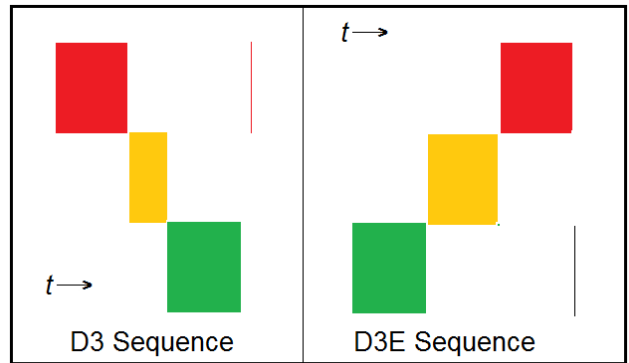
- Adjustable Speed range
- High output capability (>4A or 50W)
- Drives pairs of 2 or 4 lamps
- Completely silent –No Relays
- Solid state for long lifetime

The D3M is compact and very Low power consumption so you can to install it directly inside a signal in most cases. This will protect the control and simplify wiring. Note: The D3 is logic control, it switches the power supplied to one of 3 outputs. So you must provide adequate DC power supply to drive your lights.

D3M Flasher Wiring Diagram



D3M / D3ME Sequence Diagram



D3M Control Specifications

Description	3 Channel Light Sequencer Control
Voltage	10 - 16VDC
	Incandescent or LED
Power Max	50W Max load per output
	15A inrush surge @ 30ms
Fuse	4 Amp Slo Blow GMD - 5x20mm
Sequence	R-Y-G, Alternating Flash, R/Y Flash
Speed	5s to 120s per complete cycle
Temp Rating	0F to 140Deg F (-20C to +60C)
Mounting Posts	Self adhesive mounting posts Included (snap in corner holes)
Format	2x3 open PCB, (50x75mm)
Mass	.2lb, 90gm
Warranty	3year limited manufacturer warranty