

## Testing:

Once connected to the 240V mains supply, the unit must be allowed to charge the battery for at least 24 hours. Conduct the following tests:

- For the first test, the emergency lamp must remain illuminated for at least 2 hours after disconnection from the mains supply.
- Subsequent tests require the unit to illuminate for at least 90 minutes. The results of all tests are required to be recorded in a service logbook, which is to be kept on-site at all times. If the unit fails to remain illuminated for the requisite time, remedial action must be taken to repair the situation and once completed, the unit must pass a subsequent test. For more specific information, please refer to the current edition of the AS 2293.2 Standard.

## Trouble Shooting:

Below are a list of common problems and their possible causes.

**Fault:** The Green LED Test Switch indicator is not illuminated.

**Check:** A.C. is connected and is turned on.  
Battery is connected  
Test Switch for damage.

**Fault:** Lamp does not illuminate in emergency mode.

**Check:** A.C. is connected.  
Lamp is correctly inserted.  
Battery is connected

**Fault:** Lamp illuminates in emergency mode, but only stays on for a short period.

**Check:** Battery has been allowed to charge for at least 24 hours.  
Battery for damage.

**Fault:** Green LED flashes once every 5 seconds-Battery is disconnected

**Check:** Battery is connected.

**Fault:** Green LED blinks off once every 5 seconds- Charging very flat battery

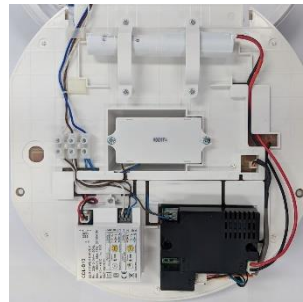
Allow 20min to recover battery then recheck

**Fault:** Green LED flashes at 2Hz (Fast flash)- Faulty battery

Replace battery

## Battery Replacement

1. Disconnect power.
2. Remove the battery plug from the PCA
3. Remove the battery mounts
4. Remove the old battery
5. Fit the new battery and fix in position
6. Reconnect the battery to the PCA.



**Emergency Classification in accordance with AS2293.1 (refer to spacing tables for installation positions):**

Please refer to the technical label on the product for classification.



# Trade Series LED CIRCLITE Luminaire

## Installation & Maintenance Instruction Leaflet



**Victoria (Head Office & Manufacturing)**

Website: [www.clevertronics.com.au](http://www.clevertronics.com.au)

Email: [info@clevertronics.com.au](mailto:info@clevertronics.com.au)

Phone: +61 3 9559 2700

Fax: +61 3 9559 2799

**New South Wales**

Phone: +61 2 8805 6400

Fax: +61 2 8805 6444

**Queensland**

Phone: +61 7 3442 9700

Fax: +61 7 3442 9777

**South Australia/Northern Territory**

Phone: +61 8 8301 8800

Fax: +61 8 8351 8286

**Western Australia**

Phone: +61 8 9207 0000

Fax: +61 8 9207 0088

**New Zealand**

Phone: +64 800 548 448

Designed in Australia to comply with the requirements of AS2293.3: 2005 and AS/NZS CISPR15: 2017

## Models:

Models:	ECLLED-xx-xx
ECLLED-LI	Economy LED Circlite
ECLLED-LI-MS	Economy LED Circlite with microwave movement
ECLLED-LI-WW	Economy LED Circlite - Warm White
ECLLED-LI-WW-MS	Economy LED Circlite with microwave movement sensor - Warm White

## Spare Parts:

1560280	Battery, Eco Lith, 3.2V 3.0Ah
8003070	PCA ECLLED-LI #CT10626

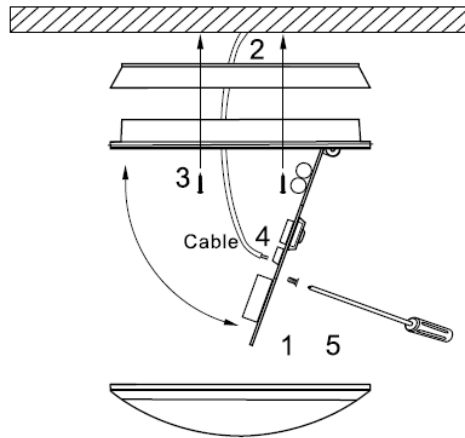
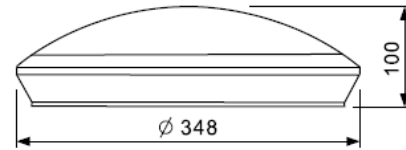
## Important:

It is illegal for anyone, except for a licensed electrician to install or maintain this product. Before installation, ensure that the electricity supply has been switched off and isolated. Installation must be carried out in accordance with the relevant Australian and International Standards.

## Installation:

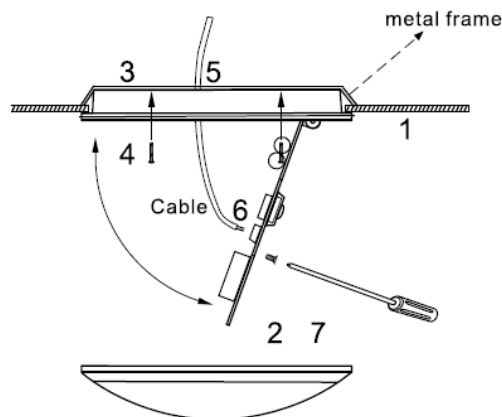
### A. Surface Mount

1. Disassemble the diffuser and LED panel.
2. Pull the power cord through the grommet.
3. Fix the base to the surface.
4. Connect the power cord.
5. Assemble the LED panel and diffuser.

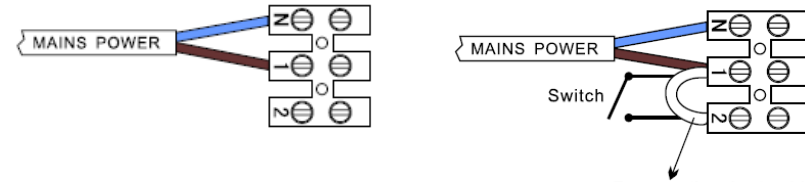


### B. Semi recessed Mount (special option)

1. Cut a 320mm hole into the mounting surface.
2. Disassemble the diffuser and LED panel.
3. Place the metal frame above the hole in the mounting surface.
4. Pull the power cord through the grommet.
5. Insert the base into the mounting hole and attach to the frame with 2 x 4mm screws.
6. Assemble the LED panel and diffuser.



**Power Supply Connection, 240V, 50Hz:** Connect power to the fitting as shown.



### ECLLED-LI-MS

Note: Link 1&2 for permanent on or use switch for on/off

### ECLLED-LI- (no sensor)

## Caution:

On many building sites, power circuits may be cut off in an uncontrolled and repetitive basis during construction. As a result, any Exit & Emergency Units, on these circuits, will have their batteries discharged or "cycled". The battery in this fitting has been selected to give excellent long-life performance in a controlled AS2293 testing environment. Excessive battery cycling will reduce through-life performance and may lead to premature battery failure. Battery warranty claims, as a result of such abuse, are specifically EXCLUDED from Clevertronics warranty terms.

## Warranty:

For Product Warranty information and Terms and Conditions of Sales please refer to our website <http://clevertronics.com.au/terms-conditions-sale-australia-nz/>