

OLDLEEWTO1, OLDLEEWTO2, OLDLEEWTO3, OLDLEEWTO4



RESTORE WOOD TOP FOR BENCH OR CONSOLE TABLE

NEED HELP OR ADVICE ON PUTTING THIS KIT TOGETHER? MISSING PIECES?
EMAIL US AT [SUPPORT@PIPE-DECOR.COM](mailto:support@pipe-decor.com) FOR ANY QUESTIONS



Check the packaging label to determine which part number you have ordered.

This page of instructions only applies to the following part numbers:

OLDLEEWTO1, OLDLEEWTO2, OLDLEEWTO3, OLDLEEWTO4

If your part number is not listed, see the other two pages to find the instructions that correspond with your product.

TAKING CARE OF YOUR SOLID WOOD TOP

Restore by PIPE DECOR wood tops use a water-based polyurethane top coat, to protect and add sheen.

CLEANING

Use a damp rag and/or gentle dish soap like Dawn. Wipe down your table and let it dry.

DO NOT USE

Oil-based cleaners like Murphys oil soap or an excessive amount of water.



RESTORE BENCH SET

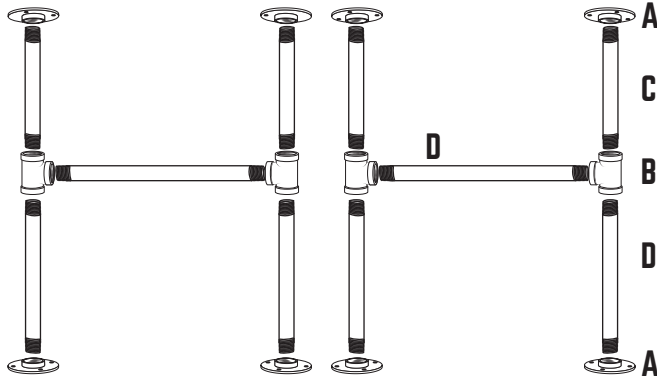
NEED HELP OR ADVICE ON PUTTING THIS KIT TOGETHER? MISSING PIECES?
EMAIL US AT SUPPORT@PIPE-DECOR.COM FOR ANY QUESTIONS

**BEFORE
YOU
START**

Check the packaging label to determine which part number you have ordered.

This page of instructions only applies to the following part numbers: **370BNCH01, 370BNCH02, 370BNCH03, 370BNCH04**

If your part number is not listed, see the other two pages to find the instructions that correspond with your product.



PARTS LIST

A- 3/4" FLANGES	8 (QTY)
B- 3/4" TEES	4 (QTY)
C- 6" PIPE	4 (QTY)
D- 8" PIPE	6 (QTY)

ALSO INCLUDED

WOOD TOP	1 (QTY)
SCREWS	16 (QTY)

! HOW TO PREVENT PIPE CORROSION

PIPE DECOR industrial-grade black pipes and fittings are coated with a rust-preventive oil during manufacturing. For best results, **SEAL THE PIPES TO AVOID ANY RUSTING** after cleaning the kit.

CLEAN AND SEAL INSTRUCTIONS:

CLEAN: Recommended supplies: regular degreasing dish soap, washcloths, gloves (optional)

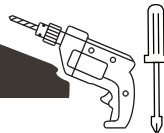
1. Wash your pipes and fittings with warm water and dish soap until the oil is completely removed.
2. Wipe the pipes with a dry washcloth and wait until the pipes are completely dry.

IMPORTANT: THE PIPES MUST BE COMPLETELY DRY BEFORE YOU START THE SEALING PROCESS.

SEAL: IF USING POLYURETHANE SPRAY: Spray each dry pipe and fitting with a polyurethane matte or satin finishing spray and let it dry before assembling the kit.

IF USING FINISHING WAX: Coat each dry pipe with a finishing wax. Wait for 20 minutes, then polish the pipe with a dry washcloth by wiping them down. Faster wiping will result in a shinier finish.

RECOMMENDED TOOLS FOR INSTALLATION

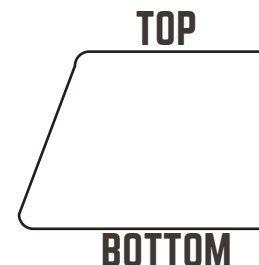


INSTALLATION INTO WOOD TOP

1. Put Legs together as shown above. Hand tightening each flange to the pipe.
2. Using a drill, screw legs into the bench. We recommend using setting #10 to prevent stripping the wood. There is no need to pre-drill.
3. You can untighten each flange to help level the table.

CLEANING AND TAKING CARE OF YOUR SOLID WOOD TOP

Restore by PIPE DECOR wood tops use a water-based polyurethane top coat, to protect and add sheen. Use a damp rag and/or gentle dish soap like Dawn. Wipe down your table and let it dry. **DO NOT USE** Oil-based cleaners like Murphys oil soap or an excessive amount of water.



RESTORE CONSOLE TABLE SET

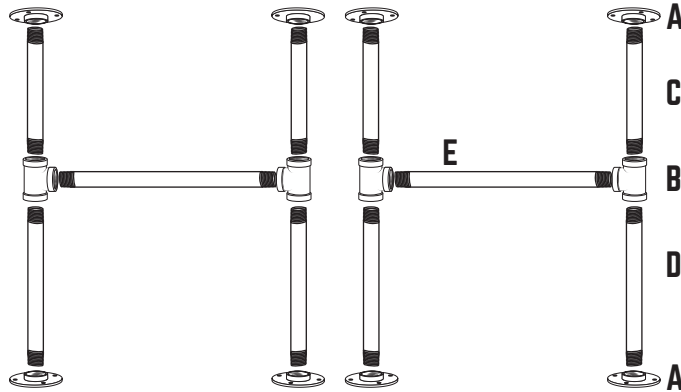
NEED HELP OR ADVICE ON PUTTING THIS KIT TOGETHER? MISSING PIECES?
EMAIL US AT SUPPORT@PIPE-DECOR.COM FOR ANY QUESTIONS

**BEFORE
YOU
START**

Check the packaging label to determine which part number you have ordered.

This page of instructions only applies to the following part numbers: **370ENTR01, 370ENTR02, 370ENTR03, 370ENTR04**

If your part number is not listed, see the other two pages to find the instructions that correspond with your product.



PARTS LIST

A- 3/4" FLANGES	8 (QTY)
B- 3/4" TEES	4 (QTY)
C- 24" PIPE	4 (QTY)
D- 6" PIPE	4 (QTY)
E- 8" PIPE	2 (QTY)

ALSO INCLUDED

WOOD TOP	1 (QTY)
SCREWS	16 (QTY)



HOW TO PREVENT PIPE CORROSION

PIPE DECOR industrial-grade black pipes and fittings are coated with a rust-preventive oil during manufacturing. For best results, **SEAL THE PIPES TO AVOID ANY RUSTING** after cleaning the kit.

CLEAN AND SEAL INSTRUCTIONS:

CLEAN: Recommended supplies: regular degreasing dish soap, washcloths, gloves (optional)

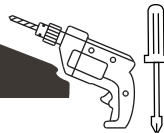
1. Wash your pipes and fittings with warm water and dish soap until the oil is completely removed.
2. Wipe the pipes with a dry washcloth and wait until the pipes are completely dry.

IMPORTANT: THE PIPES MUST BE COMPLETELY DRY BEFORE YOU START THE SEALING PROCESS.

SEAL: IF USING POLYURETHANE SPRAY: Spray each dry pipe and fitting with a polyurethane matte or satin finishing spray and let it dry before assembling the kit.

IF USING FINISHING WAX: Coat each dry pipe with a finishing wax. Wait for 20 minutes, then polish the pipe with a dry washcloth by wiping them down. Faster wiping will result in a shinier finish.

RECOMMENDED TOOLS FOR INSTALLATION



INSTALLATION INTO WOOD TOP

1. Put Legs together as shown above. Hand tightening each flange to the pipe.
2. Using a drill, screw legs into the bench. We recommend using setting #10 to prevent stripping the wood. There is no need to pre-drill.
3. You can untighten each flange to help level the table.

CLEANING AND TAKING CARE OF YOUR SOLID WOOD TOP

Restore by PIPE DECOR wood tops use a water-based polyurethane top coat, to protect and add sheen. Use a damp rag and/or gentle dish soap like Dawn. Wipe down your table and let it dry. **DO NOT USE** Oil-based cleaners like Murphys oil soap or an excessive amount of water.



RECOMMENDED FLANGE PLACEMENT

