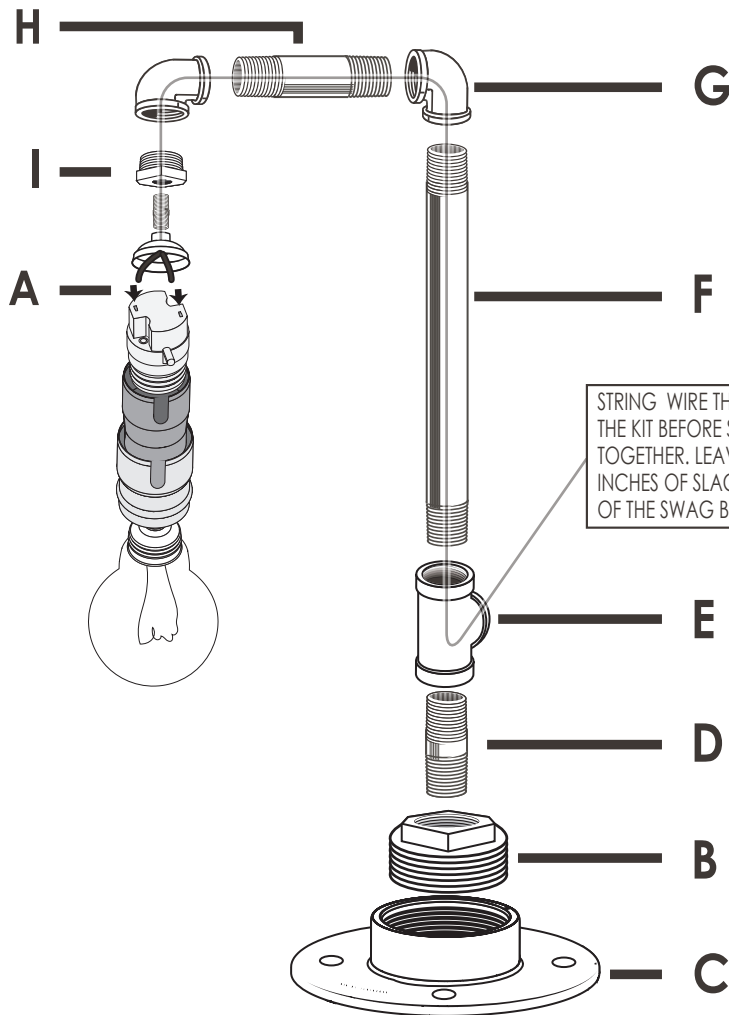


PIPE DECOR LAMP 2

THANK YOU SO MUCH FOR PURCHASING A PIPE DECOR PRODUCT. IF YOU HAVE ANY TROUBLE PUTTING YOUR KIT TOGETHER OR MISSING PIECES PLEASE CONTACT HELP@PIPE-DECOR.COM FOR ANY HELP AND RETURNS.



CONTENTS

- A 1 X SWAG1
- B 1 X BASE BUSHING
- C 1 X BIG FLANGE
- D 1 X 1.5" PIPE
- E 1 X TEE
- F 1 X 12" PIPE
- G 2 X 90 DEGREE ELBOWS
- H 1 X 2.5" PIPE
- I 1 X BUSHING

ATTENTION:

This kit is made of industrial grade authentic pipe. It is coated in oil post production to prevent rust. The kit should be cleaned and sealed to prevent rusting. See Clean and Seal sheet for more information on cleaning and sealing your pipe kit.

DO NOT PLUG INTO THE WALL UNTIL YOUR LAMP IS BUILT.

INSTALL ACCORDING TO YOUR LOCAL ELECTRICAL CODES

1. String wire through the entire pipe lamp design from the tee (E) into the base of the swag kit (A). Then screw each pipe piece together starting with the swag kit (A) into the bushing (O) all the way until the tee (E).
2. Leave 1- 2 inches of slack coming out of the electrical socket base as shown. Pull the wire back through the piece until you have 1-2 inches. If the wire is not moving un-screw some of elbows first, it can get stuck there.
3. Push into the tiny rectangular holes in the bottom of the socket. Not the circles. Gently pull the wires to make sure they installed correctly. The wires should stick in place. Do not press the socket into the base yet.
4. Put the cardboard sleeve and socket cover over the socket.
5. Install your preferred light bulb. Plug into the wall and turn on the lamp and dimmer. When it works, press the light bulb socket and base together until they click. Enjoy your lamp.

