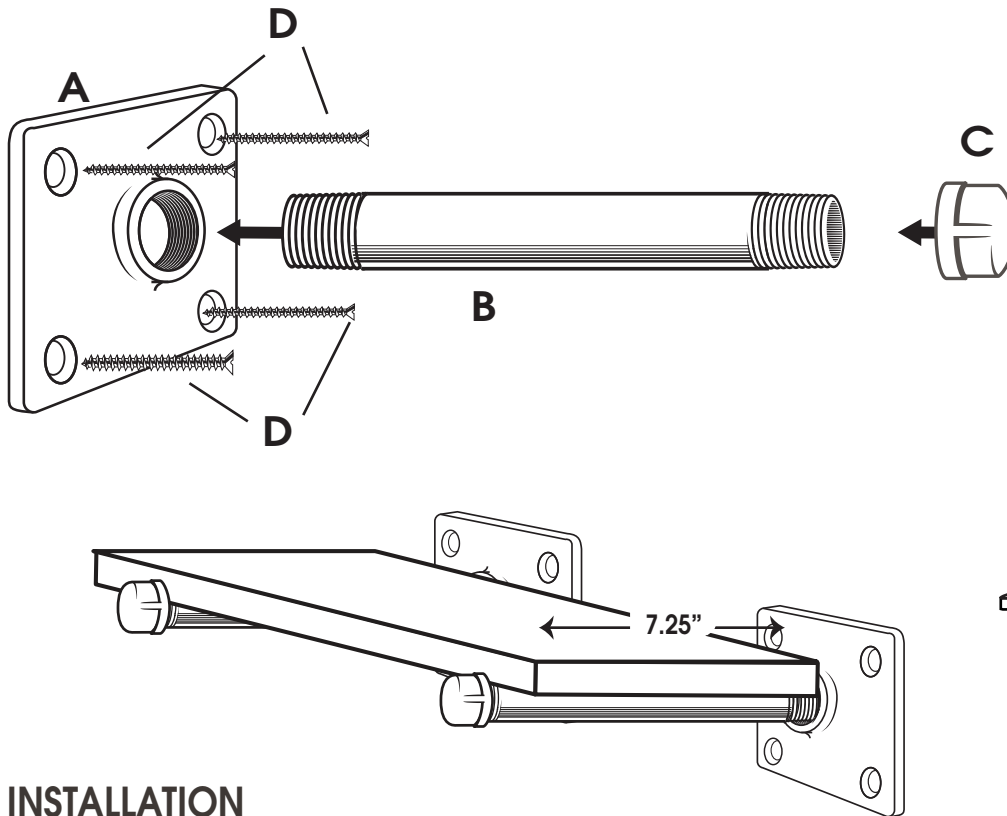


PIPE DECOR

375 SQUARE FLANGE BRACKET

THANK YOU SO MUCH FOR PURCHASING A PIPE DECOR PRODUCT. IF YOU HAVE ANY TROUBLE PUTTING YOUR KIT TOGETHER OR MISSING PIECES PLEASE CONTACT HELP@PIPE-DECOR.COM FOR ANY HELP AND RETURNS.



375 12X8LGBRKT Parts List:

- A** - 1/2" SQUARE FLANGE (4 PCS)
- B** - 1/2" X 8" CONNECTOR (4 PCS)
- C** - 1/2" CAP (4 PCS)
- D** - #10 X 1-3/4" SCREWS (16 PCS)
- E** - PLASTIC WALL ANCHORS (16 PCS) NOTE: Use wall anchors for hollow wall application only. Wall anchors are not necessary if flanges are attached directly into studs.

*WOOD SHELF NOT INCLUDED

INSTALLATION

If installing into a wood stud:

1. Mark holes on wall with flange.
2. Use anchors for the holes that are not hitting the stud, see anchor info in below instructions.
3. Using #10 1-3/4" screws provided, drill flange into wall.
4. Put shelf brackets together as shown above.

If installing into hollow wall:

NOTE: It is recommended that you install into stud for sturdier hold.

1. Mark holes on wall with flange.
2. Drill 1/4" holes into wall.
3. Install anchors - push anchors into the predrilled holes. Make sure the anchors are pushed fully into the wall, this may require light hammering.
4. Using #10 1-3/4" screws provided, drill flange into the wall.
5. Put shelf brackets together as shown above.