

PIPE DECOR 370 ANGLED RESTORE BRACKETS

THANK YOU SO MUCH FOR PURCHASING A PIPE DECOR PRODUCT. IF YOU HAVE ANY TROUBLE PUTTING YOUR KIT TOGETHER OR MISSING PIECES PLEASE CONTACT HELP@PIPE-DECOR.COM FOR ANY HELP AND RETURNS.

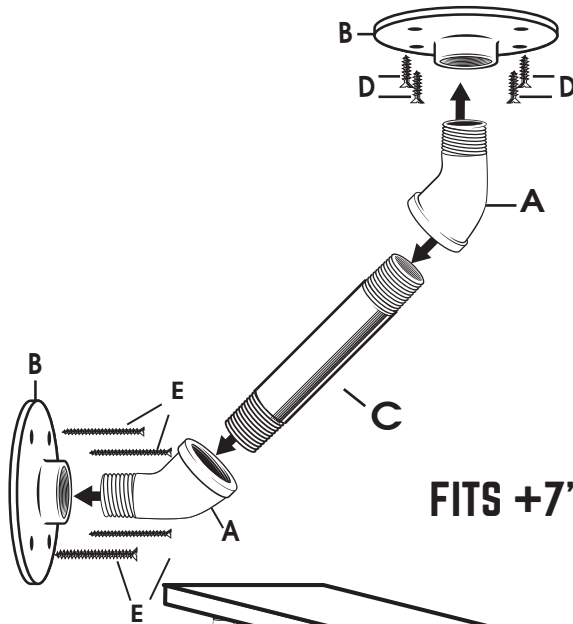
4 BRACKETS FOR 2 X 24 IN SHELVES
6 BRACKETS FOR 2 X 36 IN SHELVES

PARTS PER BRACKET

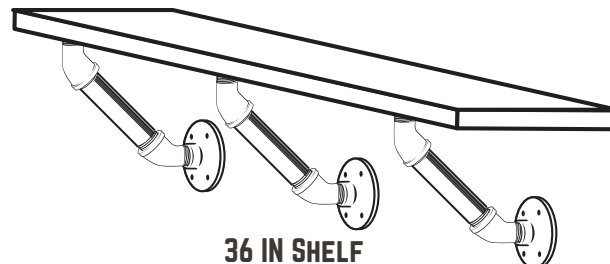
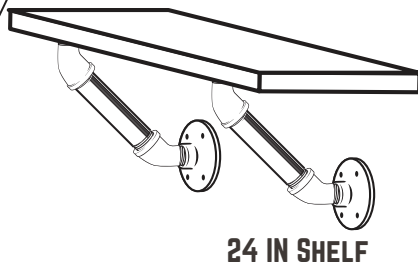
A - 1/2 IN STREET ELBOW (2PC)
B - 1/2 IN FLANGES (2PC)
C - 1/2 IN PIPE 4IN
E - 1-3/4" SCREWS & ANCHORS (4PC)
D - 3/4" SCREWS (4PC)

SKUS

370 24AB1	370 36AB1
370 24AB2	370 36AB2
370 24AB5	370 36AB5
370 24AB6	370 36AB6
370 24AB8	370 36AB8
370 24AB9	370 36AB9



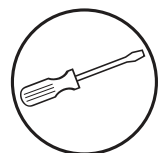
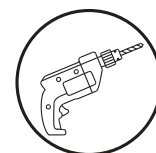
FITS +7" DEEP SHELVES



INSTALLATION INTO STUDS

1. Put shelf bracket together as shown above.
2. Mark holes on wall with flange.
3. Use anchors for the holes that are not marked on the stud, see anchor info in below instructions.
4. Using #10 1-3/4" screws provided, drill flange into wall.
5. Attach your preferred shelf with provided wood screws to the flanges.

RECOMMENDED TOOLS



RECOMMENDED
DRILL WITH 1/4" BIT
FOR WALL ANCHOR

SCREWDRIVER

INSTALLATION INTO DRYWALL

NOTE: It is recommended that you install into stud for a sturdier hold.

1. Put shelf bracket together as shown above.
2. Mark holes on wall with flange.
3. Drill 1/4" pilot holes into wall.
4. Install anchors - push anchors into the pre-drilled holes. Make sure the anchors are pushed fully into the wall.
This may require light hammering.
5. Using #10 1-3/4" screws provided, drill flange into the wall.
6. Attach your preferred shelf with provided wood screws to the flanges.

PREPPING THE PIPE

VERY IMPORTANT: These are all authentic malleable iron and require necessary cleaning and prepping; do not skip this step.

1. Clean and dry all the parts with gentle soap.
2. Use a lint-free rag to apply metal polish to the parts.
3. Use metal polish or clear coat paint to seal the dry pipe.