

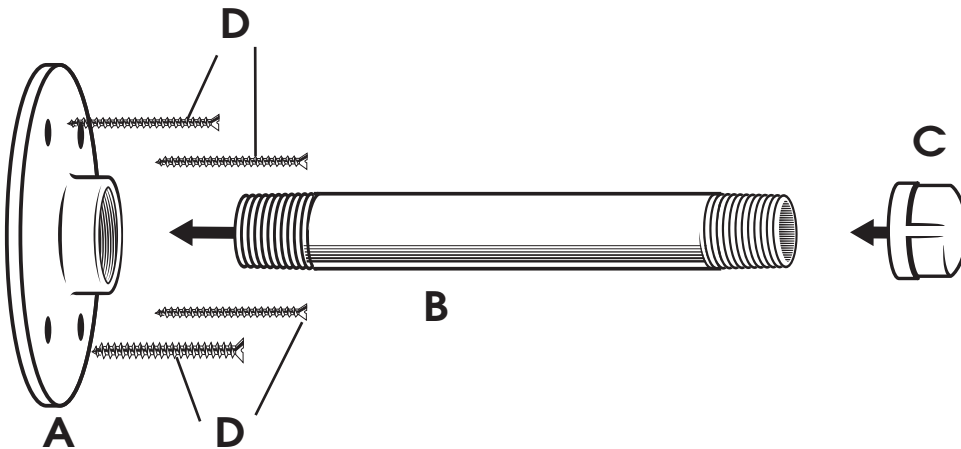
PIPE DECOR 365 LGBRKT

THANK YOU SO MUCH FOR PURCHASING A PIPE DECOR PRODUCT. IF YOU HAVE ANY TROUBLE PUTTING YOUR KIT TOGETHER OR MISSING PIECES PLEASE CONTACT HELP@PIPE-DECOR.COM FOR ANY HELP AND RETURNS.

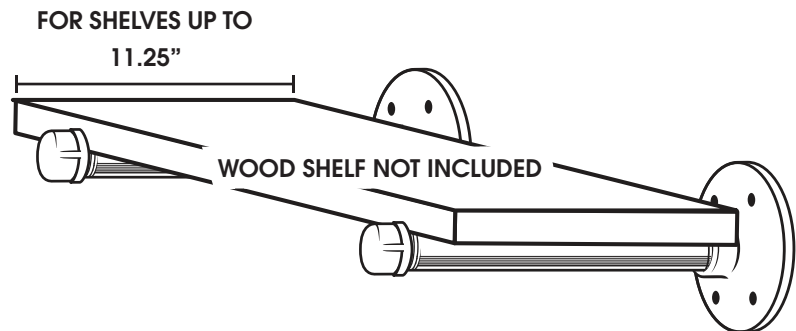
PARTS LIST:

- A - 1/2" FLANGE
- B - 1/2" X 8"/10"/12" PIPE
- C - 1/2" CAP
- D - #10 X 1-3/4" SCREWS
- E - PLASTIC WALL ANCHORS

(8 PCS) NOTE: USE WALL ANCHORS FOR HOLLOW WALL APPLICATION ONLY. WALL ANCHORS ARE NOT NECESSARY IF FLANGES ARE ATTACHED DIRECTLY INTO STUDS.



2 / 4 / 6 BRACKETS PER PACK
8" PIPE: UP TO 7.25" SHELVES
10" PIPE: UP TO 9.25" SHELVES
12" PIPE: UP TO 11.25" SHELVES



INSTALLATION INTO STUDS

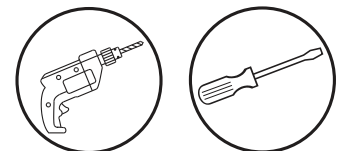
1. Put shelf bracket together as shown above.
2. Mark holes on wall with flange.
3. Use anchors for the holes that are not marked on the stud, see anchor info in below instructions.
4. Using #10 1-3/4" screws provided, drill flange into wall.
5. Place your shelf on the brackets.

INSTALLATION INTO DRYWALL

NOTE: It is recommended that you install into stud for a sturdier hold.

1. Put shelf bracket together as shown above.
2. Mark holes on wall with flange.
3. Drill 1/4" pilot holes into wall.
4. Install anchors - push anchors into the pre-drilled holes. Make sure the anchors are pushed fully into the wall.
This may require light hammering.
5. Using #10 1-3/4" screws provided, drill flange into the wall.
6. Place your shelf on the brackets.

RECOMMENDED TOOLS



RECOMMENDED
DRILL WITH 1/4" BIT
FOR WALL ANCHOR

SCREWDRIVER

PREPPING THE PIPE

VERY IMPORTANT: These are all authentic malleable iron and require necessary cleaning and prepping; do not skip this step.

1. Clean and dry all the parts with gentle soap.
2. Use a lint-free rag to apply metal polish to the parts.
3. Use metal polish or clear coat paint to seal the dry pipe.