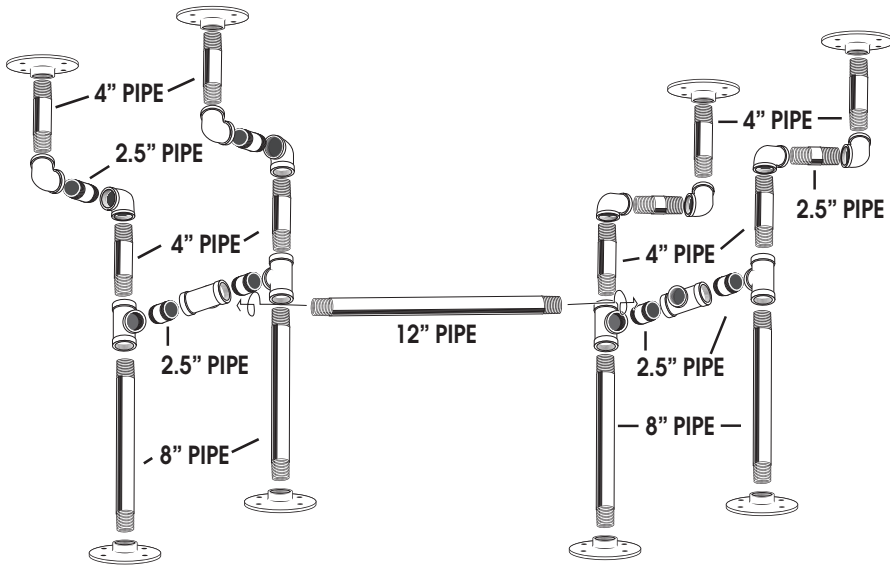


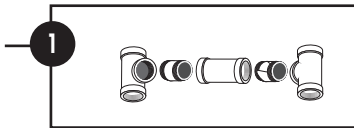
PIPE DECOR 365 ET70

THANK YOU SO MUCH FOR PURCHASING A PIPE DECOR PRODUCT. IF YOU HAVE ANY TROUBLE PUTTING YOUR KIT TOGETHER OR MISSING PIECES PLEASE CONTACT HELP@PIPE-DECOR.COM FOR ANY HELP AND RETURNS.

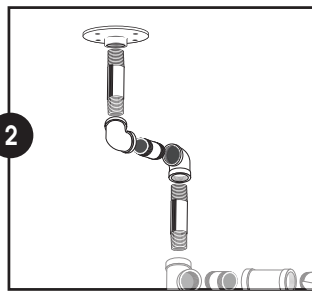


This kit is made of industrial grade authentic pipe. It is coated in oil post production to prevent rust. The kit should be cleaned and sealed to prevent rusting. See Clean and Seal sheet for more information on cleaning and sealing your pipe kit.

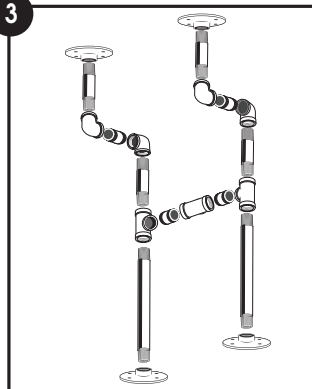
1. Assemble 3 X TEES (B) and 2 X 2.5" PIPE (C). As shown in box 1. Repeat with other side.



2. Assemble 2 X 4" PIPE (E), 2 X ELBOWS (D) and 2.5" PIPE and a FLANGE (A) into part of a table leg. As shown in box 2. Repeat with the 3 other legs.



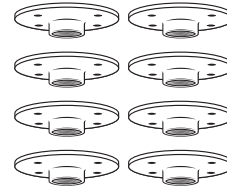
3. Connect the legs to each side and attach a FLANGE (A) and 8" PIPE (F) to complete the side. As shown in box 3. Repeat with other side.



4. Connect each side together with a 12" PIPE (G).
5. Turn upside down onto table top. Tighten or loosen flanges and pipe as necessary to level table. Screw into table top using screws provided.

*Flanges may scratch floor and pads are recommended.

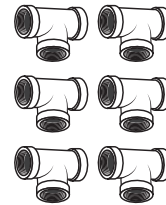
A - 8 X FLANGES



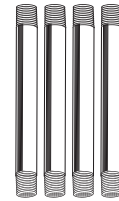
E - 8 X 4" PIPE



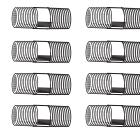
B - 6 X TEES



F - 4 X 8" PIPE



C - 8 X 2.5" PIPE



G - 1 X 12" PIPE



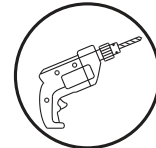
D - 8 X ELBOWS



H - 16 X 3/4" SCREWS



RECOMMENDED TOOLS



RECOMMENDED FOR ATTACHING LEGS TO TABLE TOP