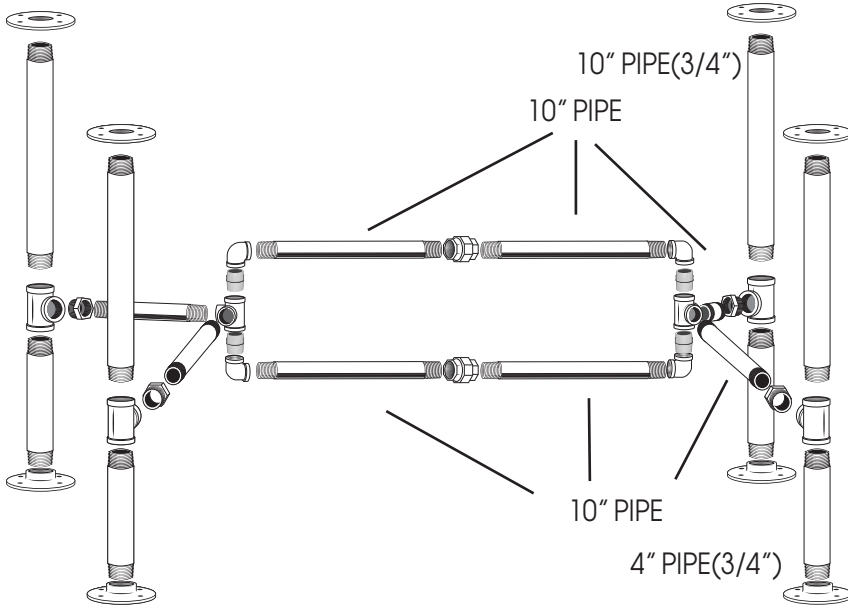


PIPE DECOR 365 CT10

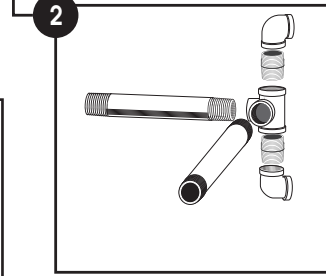
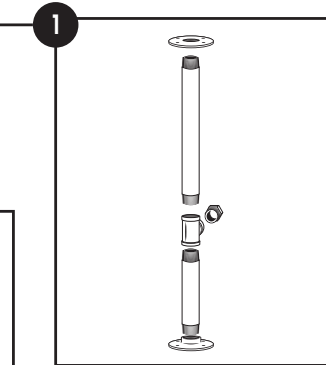
THANK YOU SO MUCH FOR PURCHASING A PIPE DECOR PRODUCT. IF YOU HAVE ANY TROUBLE PUTTING YOUR KIT TOGETHER OR MISSING PIECES PLEASE CONTACT HELP@PIPE-DECOR.COM FOR ANY HELP AND RETURNS.



This kit is made of industrial grade authentic pipe. It is coated in oil post production to prevent rust. The kit should be cleaned and sealed to prevent rusting. See Clean and Seal sheet for more information on cleaning and sealing your pipe kit.

1. Assemble Each leg with a 2 X FLANGE (A) 1 X 4\"
2. Connect legs with a 2 X 10\"
3. Connect sides with each other using 4 X 10\"
4. Loosen or tighten flanges to level table, and screw into table top.

Flanges may scratch floor and pads are recommended.



A - 8 X FLANGES

B - 4 X 4\"

C - 4 X TEES

D - 4 X 10\"

E - 4 X BUSHINGS

F - 8 X 10\"

G - 2 X SIDE OUT TEE

H - 4 X CONNECTOR

I - 4 X ELBOW

J - 2 X UNIONS

K - 16 X 3/4\"

RECOMMENDED TOOLS

RECOMMENDED FOR ATTACHING LEGS TO TABLE TOP

LOOSEN UNION

USE BOLT TO TURN THE PIPE FOR CONNECTION 4

Connect parts in the following order