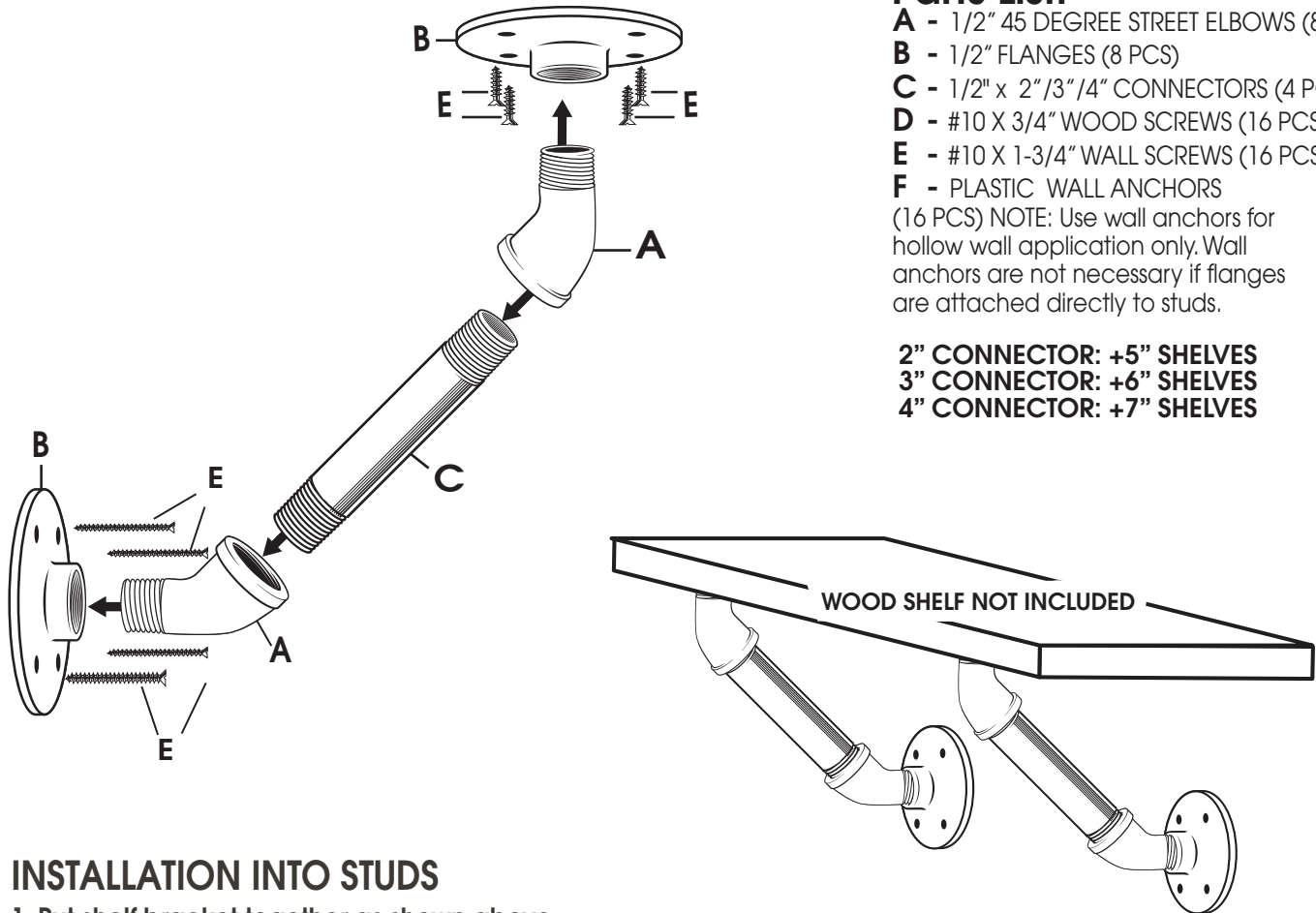


We take pride in our customer service and your satisfaction is very important to us. If you have any questions or problems please contact us right away at help@jsupplies.com. Thank you for your business!

Parts List:

A - 1/2" 45 DEGREE STREET ELBOWS (8 PCS)
B - 1/2" FLANGES (8 PCS)
C - 1/2" x 2" / 3" / 4" CONNECTORS (4 PCS)
D - #10 X 3/4" WOOD SCREWS (16 PCS)
E - #10 X 1-3/4" WALL SCREWS (16 PCS)
F - PLASTIC WALL ANCHORS (16 PCS) NOTE: Use wall anchors for hollow wall application only. Wall anchors are not necessary if flanges are attached directly to studs.

2" CONNECTOR: +5" SHELVES
3" CONNECTOR: +6" SHELVES
4" CONNECTOR: +7" SHELVES



INSTALLATION INTO STUDS

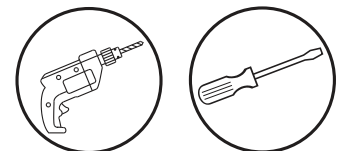
1. Put shelf bracket together as shown above.
2. Mark holes on wall with flange.
3. Use anchors for the holes that are not marked on the stud, see anchor info in below instructions.
4. Using #10 1-3/4" screws provided, drill flange into wall.
5. Attach your preferred shelf with provided wood screws to the flanges.

INSTALLATION INTO DRYWALL

NOTE: It is recommended that you install into stud for a sturdier hold.

1. Put shelf bracket together as shown above.
2. Mark holes on wall with flange.
3. Drill 1/4" pilot holes into wall.
4. Install anchors - push anchors into the pre-drilled holes. Make sure the anchors are pushed fully into the wall. This may require light hammering.
5. Using #10 1-3/4" screws provided, drill flange into the wall.
6. Attach your preferred shelf with provided wood screws to the flanges.

RECOMMENDED TOOLS



RECOMMENDED
 DRILL WITH 1/4" BIT
 FOR WALL ANCHOR

SCREWDRIVER

PREPPING THE PIPE

VERY IMPORTANT: These are all authentic malleable iron and require necessary cleaning and prepping; do not skip this step.

1. Clean and dry all the parts with gentle soap.
2. Use a lint-free rag to apply metal polish to the parts.
3. Use metal polish or clear coat paint to seal the dry pipe.