

PIPE DECOR 365 HOOK 4PK

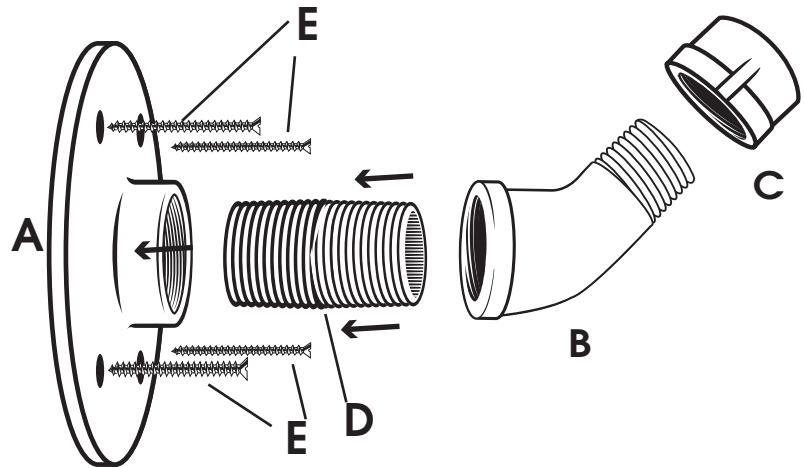
THANK YOU SO MUCH FOR PURCHASING A PIPE DECOR PRODUCT. IF YOU HAVE ANY TROUBLE PUTTING YOUR KIT TOGETHER OR MISSING PIECES PLEASE CONTACT HELP@PIPE-DECOR.COM FOR ANY HELP AND RETURNS.

365 12HOOK4PK

Parts List:

- A** - 1/2" FLANGE (4 PCS)
- B** - 1/2" 45° STREET ELBOW (4 PCS)
- C** - 1/2" CAP (4 PCS)
- D** - 1/2" X CLOSE CONNECTOR (4 PCS)
- E** - #10 X 1-3/4" SCREWS (16 PCS)

F - PLASTIC WALL ANCHORS (16 PCS) NOTE: Use wall anchors for hollow wall application only. Wall anchors are not necessary if flanges are attached directly to studs.



INSTALLATION

If Installing into wood stud:

1. Mark holes on wall with flange.
2. Use anchors for the holes that are not hitting the stud, see anchor info in below instructions.
3. Using #10 1-3/4" screws provided, drill flange into wall.
4. Put hook together as shown above.

if installing into hollow wall:

NOTE: it is recommended that you install into stud for sturdier hold.

1. Mark holes on wall with flange.
2. Drill 1/4" holes into wall.
3. Install anchors - push anchors into the predrilled holes. Make sure the anchors are pushed fully into the wall, this may require light hammering.
4. Using #10 1-3/4" screws provided, drill flange into the wall.
5. Put hook together as shown above.