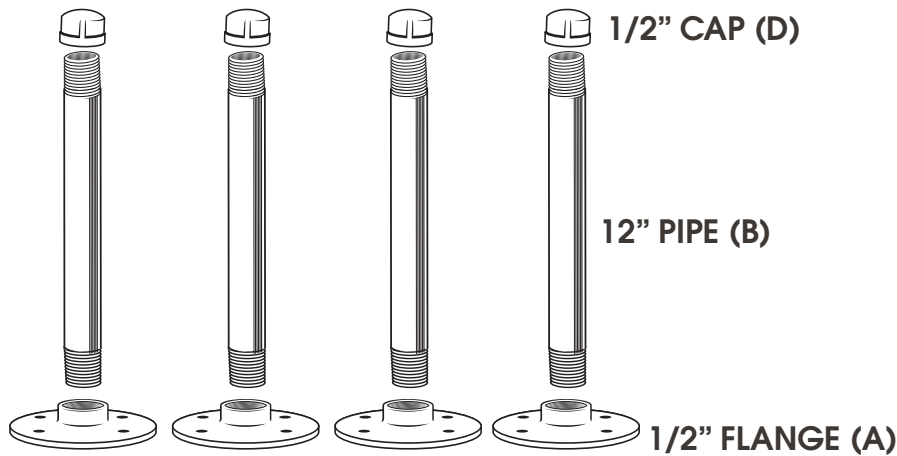


PIPE DECOR 365 MWD40

THANK YOU SO MUCH FOR PURCHASING A PIPE DECOR PRODUCT. IF YOU HAVE ANY TROUBLE PUTTING YOUR KIT TOGETHER OR MISSING PIECES PLEASE CONTACT HELP@PIPE-DECOR.COM FOR ANY HELP AND RETURNS.



Parts List:

- A** - 1/2" FLANGE (4 PCS)
- B** - 1/2" X 12" CONNECTOR (4 PCS)
- D** - 1/2" CAP (4 PCS)
- E** - 16 X SCREWS & ANCHORS

RECOMMENDED TOOLS



RECOMMENDED
DRILL WITH 3/16" BIT
FOR WALL ANCHOR

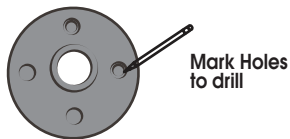


RECOMMENDED
STUD FINDER

THIS IS INDUSTRIAL GRADE AUTHENTIC PIPE. IT COMES COVERED IN ANTI-RUST OIL. THEY ARE DIRTY TO THE TOUCH BUT CAN BE CLEANED AND SEALED TO PREVENT RUST AND BE CLEAN TO THE TOUCH. SEE CLEAN AND SEAL SHEET FOR WAYS TO CLEAN AND SEAL THE PIPE.

40LB MAX WEIGHT LIMIT PER BRACKET

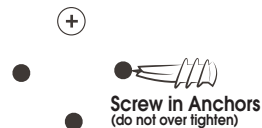
1. Place bracket on wall. Mark the holes of the flange.



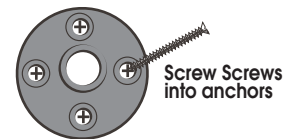
3. Pre-drill 3/16" holes at each mark you will be using anchors. Do not pre-drill if you are screwing into a stud.



4. Screw in each anchor.



5. Line up the flange with each anchor and mark and put each screw in.



7. Repeat steps 3 and 4 with the other 3 brackets.

8. Enjoy your new clothes rack.