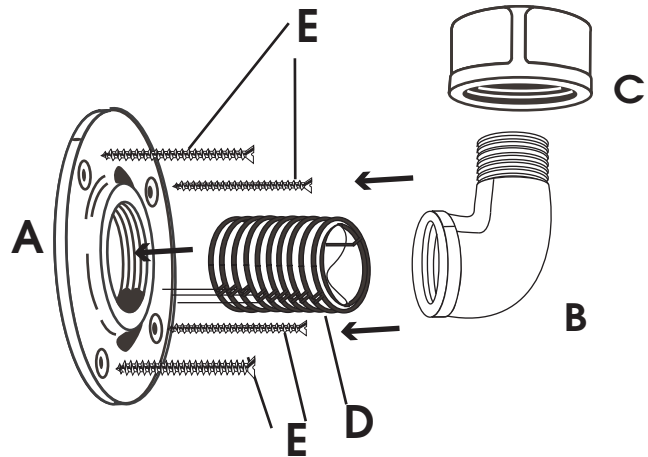


PIPE DECOR

We strive to make your industrial decor experience the best it can be.
Please contact us first for all problems email us at HELP@PIPE-DECOR.COM

360 KITHOOK1

- A - 1/2" FLANGE (1 PCS)
- B - 1/2" 90° STREET ELBOW (1 PCS)
- C - 1/2" CAP (1 PCS)
- D - 1/2" X CLOSE CONNECTOR (1 PCS)
- E - #10 X 1-3/4" SCREWS (4 PCS)
- F - PLASTIC WALL ANCHORS (4 PCS) NOTE: Use wall anchors for hollow wall application only. Wall anchors are not necessary if flanges are attached directly to studs.



INSTALLATION

If Installing into wood stud:

1. Mark holes on wall with flange.
2. Use anchors for the holes that are not hitting the stud, see anchor info in below instructions.
3. Using #10 1-3/4" screws provided, drill flange into wall.
4. Put hook together as shown above.

if installing into hollow wall:

NOTE: it is recommended that you install into stud for sturdier hold.

1. Mark holes on wall with flange.
2. Drill 1/4" holes into wall.
3. Install anchors - push anchors into the predrilled holes. Make sure the anchors are pushed fully into the wall, this may require light hammering.
4. Using #10 1-3/4" screws provided, drill flange into the wall.
5. Put hook together as shown above.