

PIPE DECOR®

Tapered Candle Holder Assembly Instructions



364 38CNTP3-BK





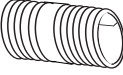
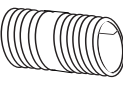



For more ideas go to
www.pipe-decor.com



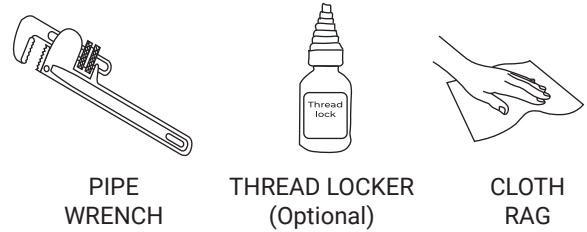
PIPE DECOR®

Tapered Candle Holder Assembly Instructions

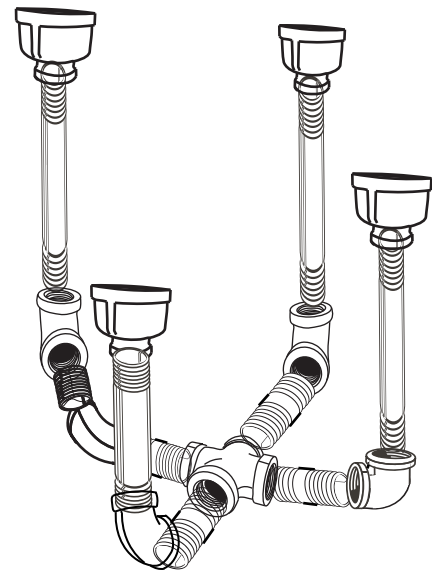
Parts List:

- A**  1 pc - 3/8" CROSS
- B**  4 pcs - 1/2" X 3/8" REDUCING COUPLING
- C**  5 pcs - 3/8" 90° ELBOW
- D**  1 pc - 3/8" X 1 1/2" CONNECTOR
- E**  3 pcs - 3/8" X 2" CONNECTOR
- F**  1 pc - 3/8" X 3" CONNECTOR
- G**  1 pc - 3/8" X 4" CONNECTOR
- H**  2 pcs - 3/8" X 5" CONNECTOR
- I**  1 pc - 3/8" X 6" CONNECTOR

Tools & Supplies needed:



Warning: Do not use abrasive cleaning solution or materials. To protect the pipe from damage, you may want to wrap a piece of cloth on the connectors and fittings as you tighten them with a pipe wrench. You may want to use a protective layer underneath your item to prevent damage to your furniture.

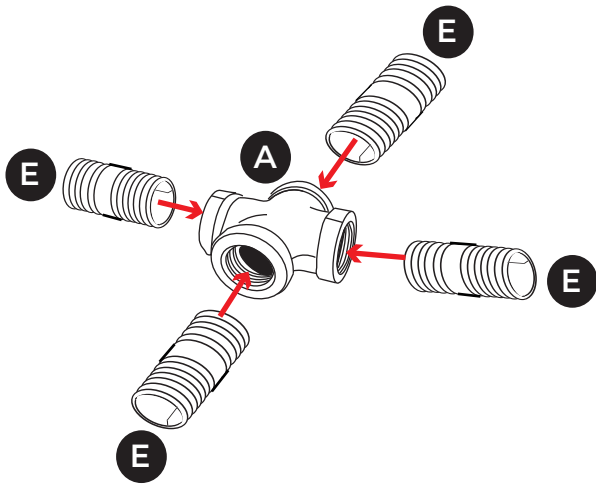


364 38CNTP3-BK

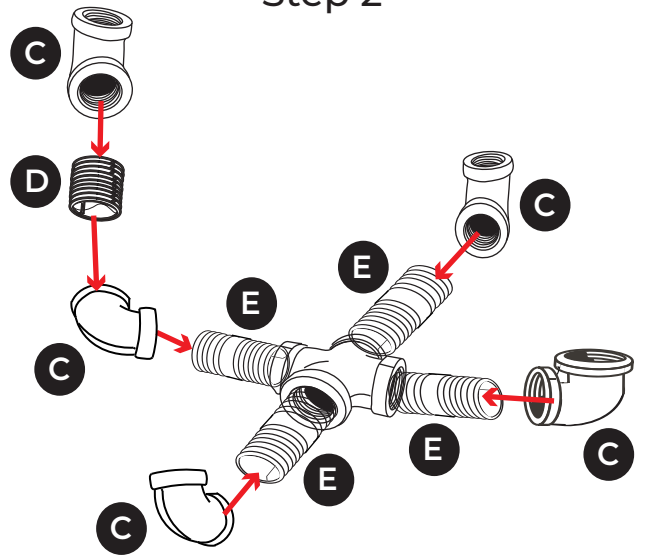
For more ideas go to
www.pipe-decor.com



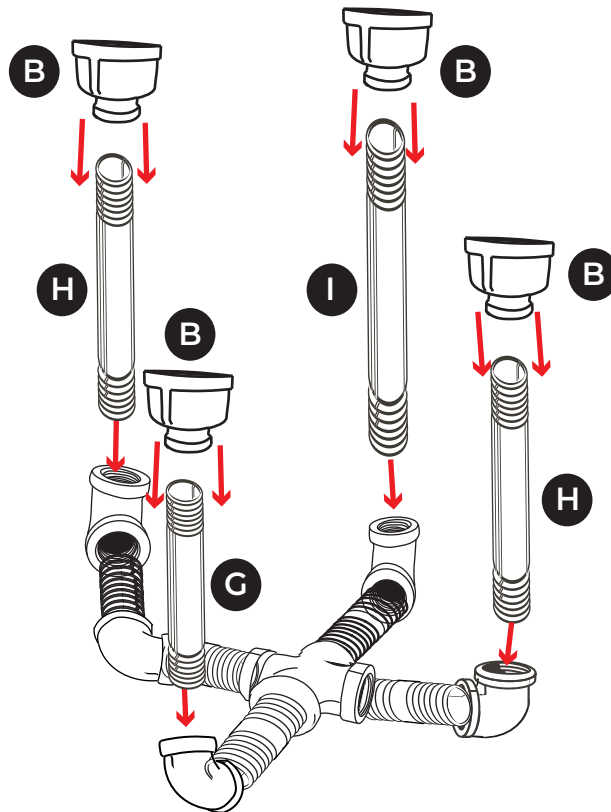
Step 1



Step 2



Step 3



For more ideas go to
www.pipe-decor.com

