

PIPE DECOR[®] PAPER TOWEL HOLDER

We strive to make your industrial decor experience the best it can be.
Please contact us first for all problems email us at HELP@PIPE-DECOR.COM

360 KITPTHR/365 KITPTHR

PARTS LIST:

A -1 X 1/2" 5 WAY FITTING

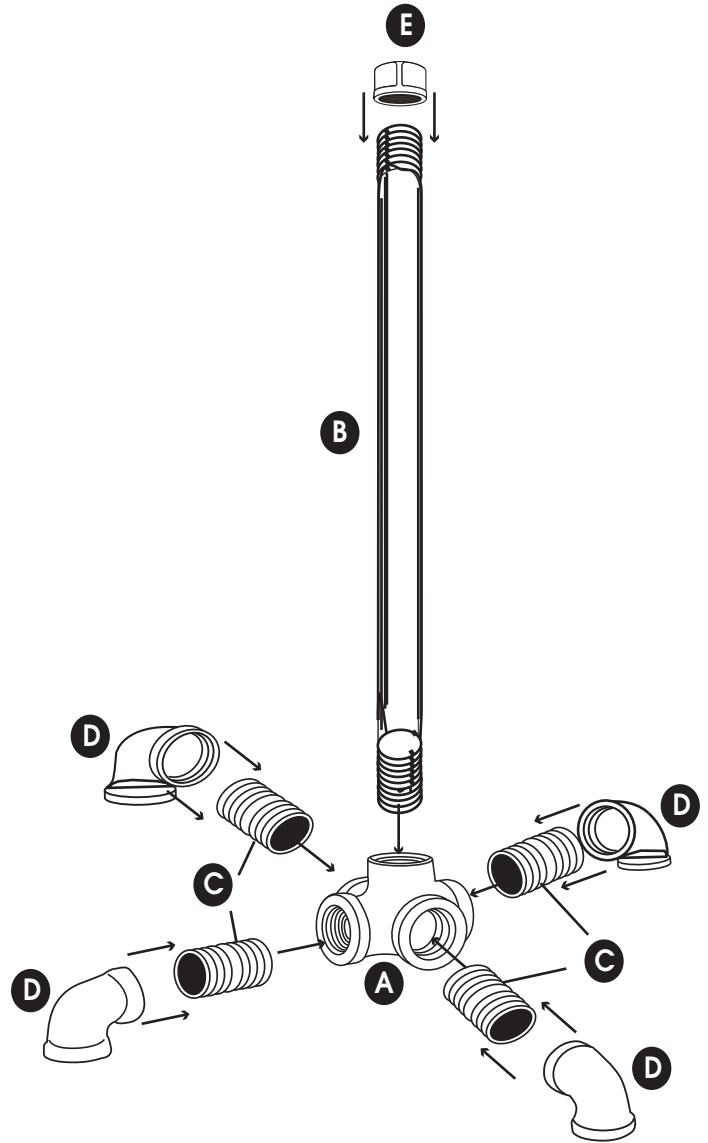
B -1 X 1/2" x 12" PIPE

C -4 X 1/2" x 1 1/2 PIPE

D -4 X 1/2" 90° ELBOW

E -1 X 1/2" CAP

This kit is made of industrial grade authentic pipe. It is coated in oil post production to prevent rust. The kit should be cleaned and sealed to prevent rusting. See Clean and Seal sheet for more information on cleaning and sealing your pipe kit.



INSTALLATION

1. Clean the the pipe from grease.
2. Assemble kit as show in the image above.
3. Spray seal the kit.
4. Enjoy your paper towel holder.