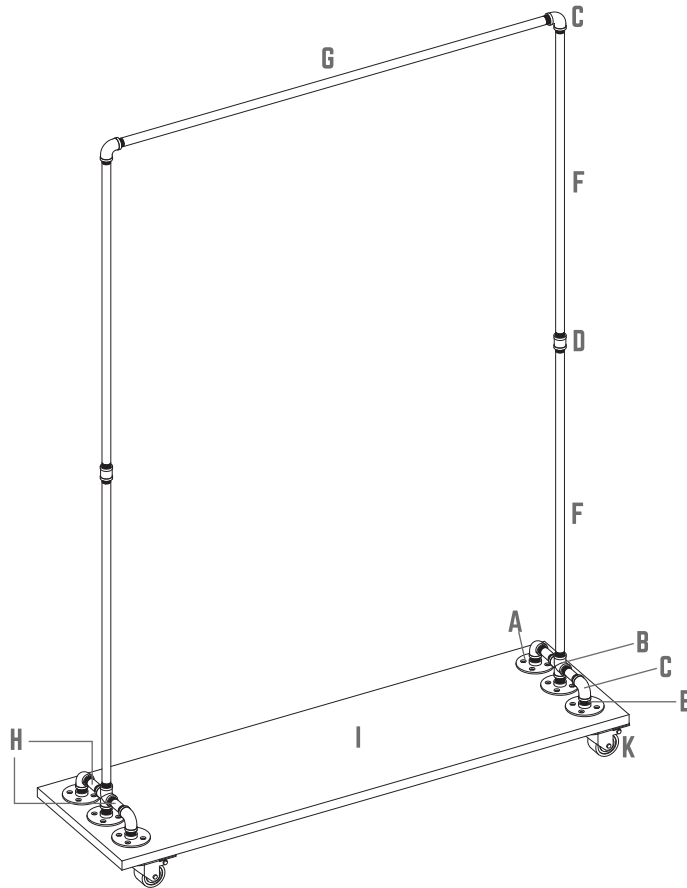


PIPE DECOR® ROLLING CLOTHING RACK

370RCLRK1BB1

NEED HELP OR ADVICE PUTTING THIS KIT TOGETHER? MISSING PIECES?
EMAIL US AT [SUPPORT@PIPE-DECOR.COM](mailto:support@pipe-decor.com) FOR ANY QUESTIONS



RECOMMENDED TOOLS FOR INSTALLATION



PART	DESCRIPTION	QTY
A	FLANGE	6
B	1/2" CROSS	2
C	1/2" 90° ELBOW	6
D	1/2" COUPLING	2
E	CLOSE NIPPLE	6
F	24" PIPE	4
G	30" NIPPLE	1
H	2-1/2" NIPPLE	4
I	36" WOOD SHELF	1
J	WOOD SCREW	40
K	CASTER WITH BRAKE	4



HOW TO PREVENT PIPE CORROSION

PIPE DECOR industrial-grade black pipes and fittings are coated with a rust-preventive oil during manufacturing. For best results, **SEAL THE PIPES TO AVOID ANY RUSTING** after cleaning the kit.

CLEAN AND SEAL INSTRUCTIONS:

- CLEAN:** Recommended supplies: regular degreasing dish soap, washcloths, gloves (optional)
1. Wash your pipes and fittings with warm water and dish soap until the oil is completely removed.
 2. Wipe the pipes with a dry washcloth and wait until the pipes are completely dry.

IMPORTANT: THE PIPES MUST BE COMPLETELY DRY BEFORE YOU START THE SEALING PROCESS.

SEAL: **IF USING POLYURETHANE SPRAY:** Spray each dry pipe and fitting with a polyurethane matte or satin finishing spray and let it dry before assembling the kit.

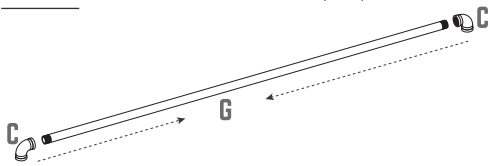
IF USING FINISHING WAX: Coat each dry pipe with a finishing wax. Wait for 20 minutes, then polish the pipe with a dry washcloth by wiping them down. Faster wiping will result in a shinier finish.

ID: 27842

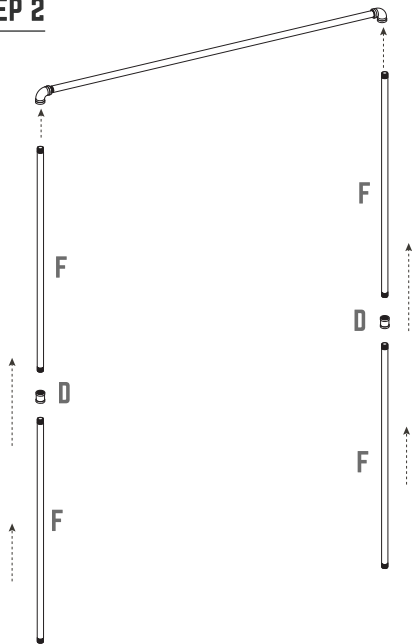
PII370RCLRK1BB1 — 122290

ROLLING CLOTHING RACK

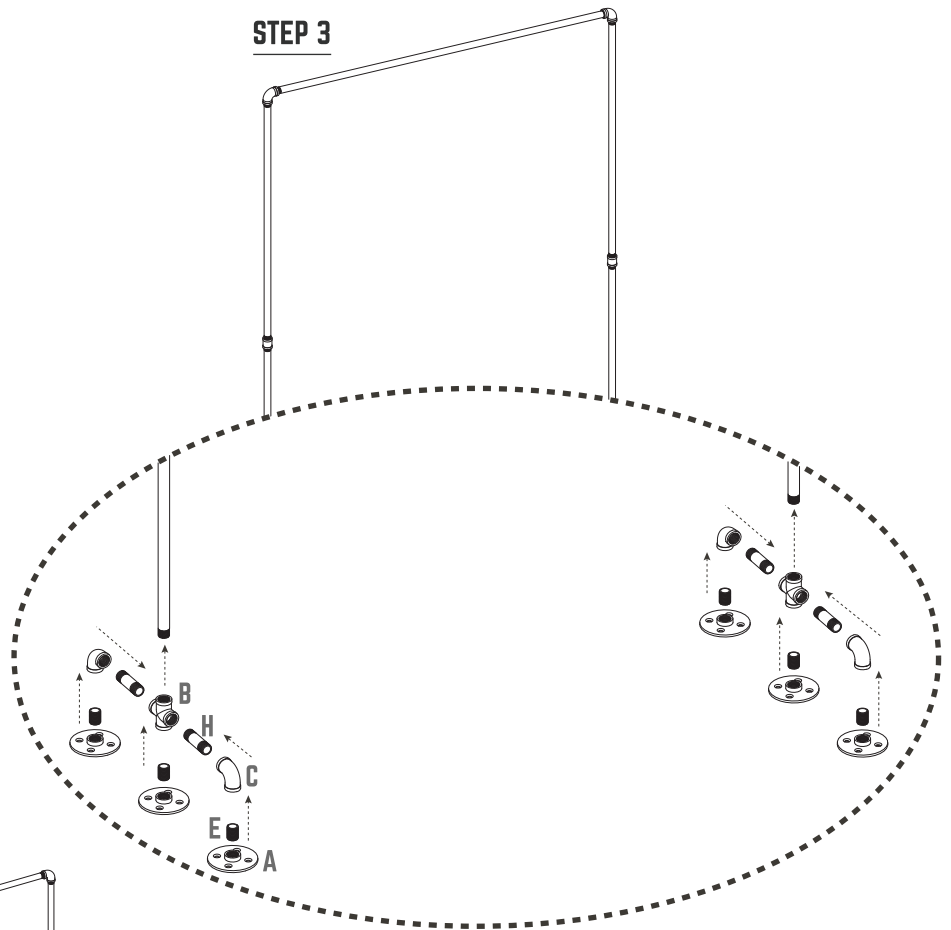
STEP 1 Start with the top pipe (36")



STEP 2



STEP 3



STEP 4

