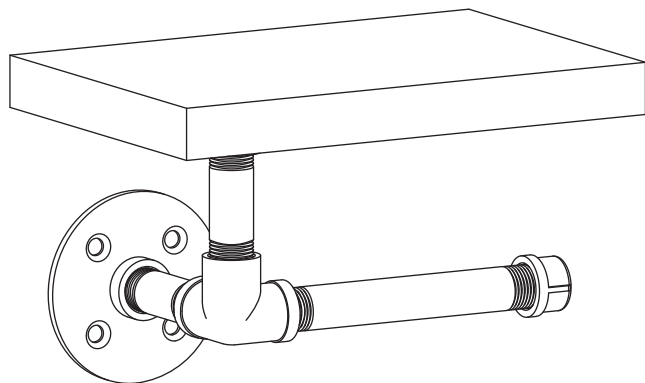


FREESTANDING TOILET PAPER WITH SHELF

NEED HELP OR ADVICE PUTTING THIS KIT TOGETHER? MISSING PIECES?
EMAIL US AT SUPPORT@PIPE-DECOR.COM FOR ANY QUESTIONS

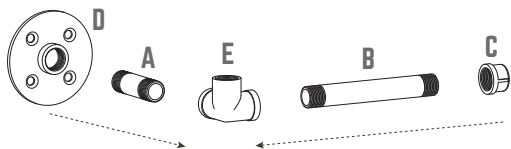


RECOMMENDED TOOLS FOR INSTALLATION

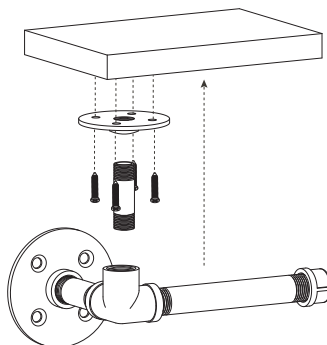


PART	DESCRIPTION	QTY
A	3" NIPPLE	2
B	6" NIPPLE	1
C	1/2" CAP	1
D	1/2" FLANGE	2
E	1/2" SIDE OUTLET ELBOW	1
F	8" X 7.25" WOOD SHELF	1
G	WOOD SCREW	4
H	SCREWS AND WALL ANCHORS	4

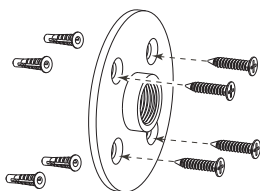
STEP 1



STEP 2



STEP 3



- Place flange against wall in desired location and mark holes with pencil
- Using stud finder, locate and mark wall stud if found
- A) If a wall stud is present, attach flange to wall with included screws
- b) If no wall stud is present:
 - Drill pilot holes in wall using 1/4" drill bit
 - Insert anchor fully into pilot hole using hammer and Phillips screwdriver as needed
 - Attach flange to wall using included screws



HOW TO PREVENT PIPE CORROSION

PIPE DECOR industrial-grade black pipes and fittings are coated with a rust-preventive oil during manufacturing. For best results, **SEAL THE PIPES TO AVOID ANY RUSTING** after cleaning the kit.

CLEAN AND SEAL INSTRUCTIONS:

- CLEAN:** Recommended supplies: regular degreasing dish soap, washcloths, gloves (optional)
1. Wash your pipes and fittings with warm water and dish soap until the oil is completely removed.
 2. Wipe the pipes with a dry washcloth and wait until the pipes are completely dry.

IMPORTANT: THE PIPES MUST BE COMPLETELY DRY BEFORE YOU START THE SEALING PROCESS.

SEAL: **IF USING POLYURETHANE SPRAY:** Spray each dry pipe and fitting with a polyurethane matte or satin finishing spray and let it dry before assembling the kit.

IF USING FINISHING WAX: Coat each dry pipe with a finishing wax. Wait for 20 minutes, then polish the pipe with a dry washcloth by wiping them down. Faster wiping will result in a shinier finish.