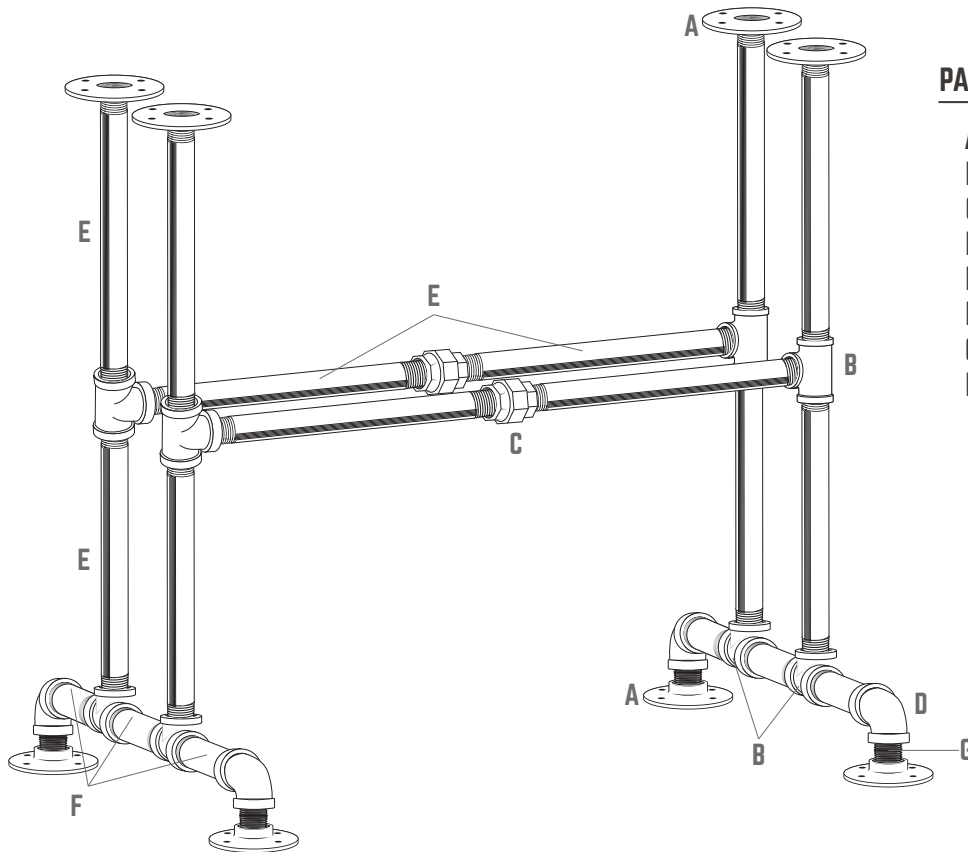


## BAR HEIGHT BRIDGE TABLE KIT

NEED HELP OR ADVICE PUTTING THIS KIT TOGETHER? MISSING PIECES?  
EMAIL US AT [SUPPORT@PIPE-DECOR.COM](mailto:support@pipe-decor.com) FOR ANY QUESTIONS



PART	DESCRIPTION	QTY
A	1" FLANGE	8
B	1" TEE	8
C	1" UNION	2
D	1" 90° ELBOW	4
E	18" PIPE	12
F	6" PIPE	6
G	CLOSE NIPPLE	4
H	SCREWS	16



### HOW TO PREVENT PIPE CORROSION

PIPE DECOR industrial-grade black pipes and fittings are coated with a rust-preventive oil during manufacturing. For best results, **SEAL THE PIPES TO AVOID ANY RUSTING** after cleaning the kit.

#### CLEAN AND SEAL INSTRUCTIONS:

- CLEAN:** Recommended supplies: regular degreasing dish soap, washcloths, gloves (optional)
1. Wash your pipes and fittings with warm water and dish soap until the oil is completely removed.
  2. Wipe the pipes with a dry washcloth and wait until the pipes are completely dry.

**IMPORTANT: THE PIPES MUST BE COMPLETELY DRY BEFORE YOU START THE SEALING PROCESS.**

**SEAL:** **IF USING POLYURETHANE SPRAY:** Spray each dry pipe and fitting with a polyurethane matte or satin finishing spray and let it dry before assembling the kit.

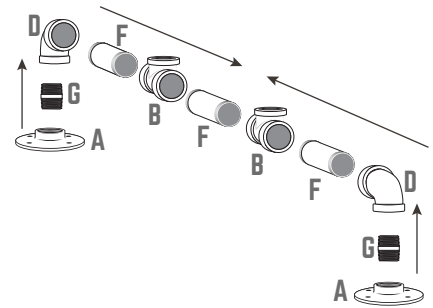
**IF USING FINISHING WAX:** Coat each dry pipe with a finishing wax. Wait for 20 minutes, then polish the pipe with a dry washcloth by wiping them down. Faster wiping will result in a shinier finish.

# PIPE DECOR®

# BAR HEIGHT BRIDGE TABLE KIT

**STEP 1:**

Flanges may scratch floor and pads on floor are recommended. Assemble each leg with a 2x Flange (A), 2x Tee (B), 2x Elbow (D), 3x 6" Pipe (F), and 2x Close Nipple (G). Repeat on other leg.



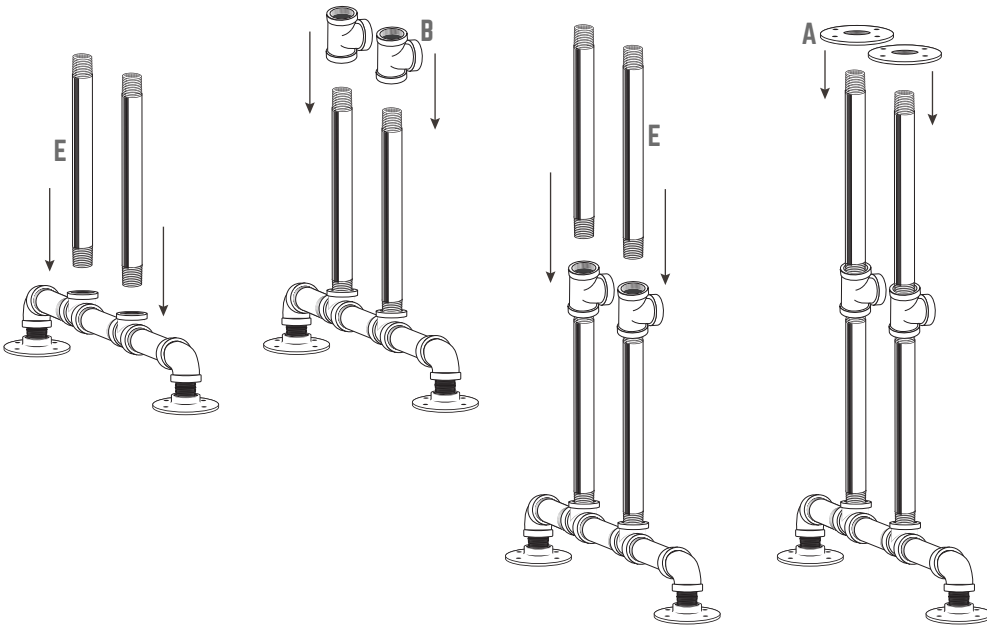
**STEP 2:**

\*Repeat step 2 to step 5 on other leg

**STEP 3:**

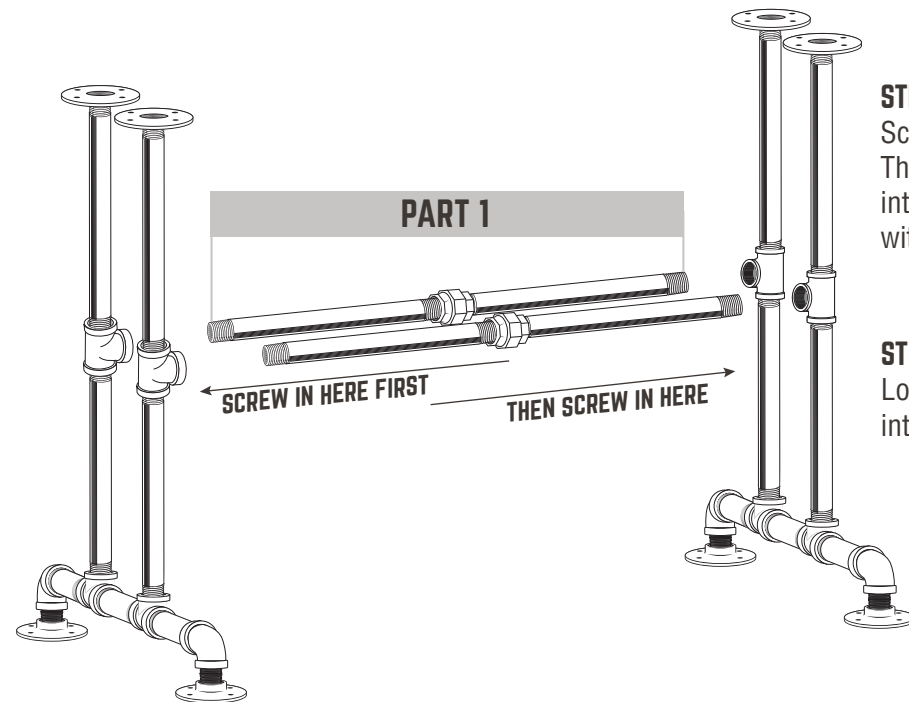
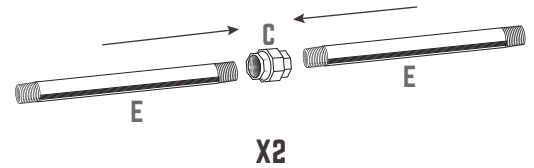
**STEP 4:**

**STEP 5:**



**STEP 6:**

Connect the sides with each other using 2x 18" Pipe (E) and 1x Union (C).



**STEP 7:**

Screw in "PART 1" into one side of TEE tight. Then loosen the Union and screw the other pipe into the other side of TEE until it's tight. Repeat with other side.

**STEP 8:**

Loosen or tighten flanges to level table, and screw into table top (not provided).