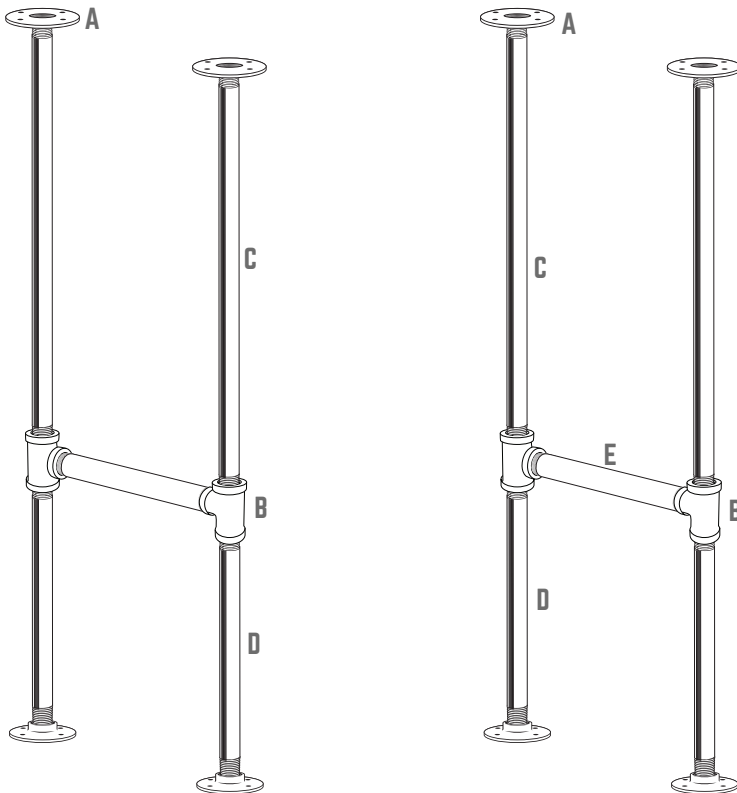


PIPE DECOR®

BAR HEIGHT H-LEG TABLE KIT

365124LGBHH2

NEED HELP OR ADVICE PUTTING THIS KIT TOGETHER? MISSING PIECES?
EMAIL US AT [SUPPORT@PIPE-DECOR.COM](mailto:support@pipe-decor.com) FOR ANY QUESTIONS



PART	DESCRIPTION	QTY
A	1" FLANGE	8
B	1" TEE	4
C	24" PIPE	4
D	16" PIPE	4
E	12" PIPE	2
F	SCREWS	16



HOW TO PREVENT PIPE CORROSION

PIPE DECOR industrial-grade black pipes and fittings are coated with a rust-preventive oil during manufacturing. For best results, **SEAL THE PIPES TO AVOID ANY RUSTING** after cleaning the kit.

CLEAN AND SEAL INSTRUCTIONS:

- CLEAN:** Recommended supplies: regular degreasing dish soap, washcloths, gloves (optional)
1. Wash your pipes and fittings with warm water and dish soap until the oil is completely removed.
 2. Wipe the pipes with a dry washcloth and wait until the pipes are completely dry.

IMPORTANT: THE PIPES MUST BE COMPLETELY DRY BEFORE YOU START THE SEALING PROCESS.

SEAL: **IF USING POLYURETHANE SPRAY:** Spray each dry pipe and fitting with a polyurethane matte or satin finishing spray and let it dry before assembling the kit.

IF USING FINISHING WAX: Coat each dry pipe with a finishing wax. Wait for 20 minutes, then polish the pipe with a dry washcloth by wiping them down. Faster wiping will result in a shinier finish.

ID: 24892

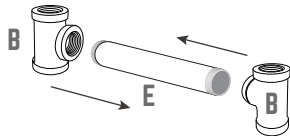
PII365124LGBHH2 – 121788

PIPE DECOR®

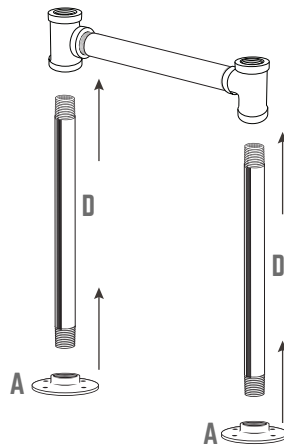
BAR HEIGHT H-LEG TABLE KIT

*Repeat step 1 to step 3 other other leg.

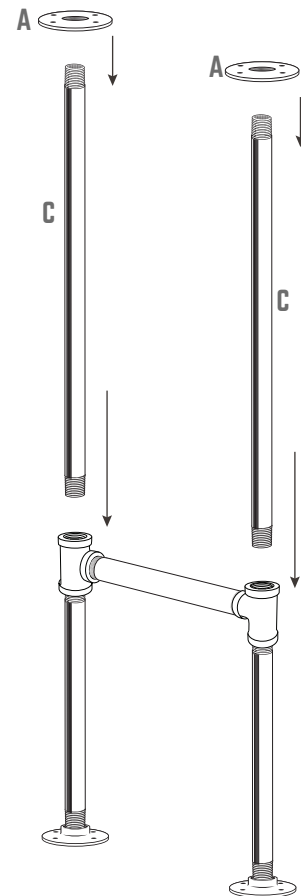
STEP 1:



STEP 2:



STEP 3:



STEP 4:

Screw into table top (not provided) with the provided screws.

