

## 4-LIGHT BLACK PENDANT FIXTURE

NEED HELP OR ADVICE PUTTING THIS KIT TOGETHER? MISSING PIECES?  
EMAIL US AT [SUPPORT@PIPE-DECOR.COM](mailto:SUPPORT@PIPE-DECOR.COM) FOR ANY QUESTIONS

### IMPORTANT INFORMATION

Please read through all warnings and instructions before assembly.



#### WARNING

Before installation, turn off electricity at the main fuse box by removing the fuse or switching off the circuit breaker.

DO NOT cut or damage the wire insulation during assembly or installation. Do not allow wires to come into contact with sharp objects. Damaging the insulation could cause serious injury or death from electric shock.

Contact your municipal building department to learn about your local codes before installation. All electrical connections must be in agreement with local codes.

Most homes built before 1985 have supply wire that is rated for 140°F/60°C. Contact an electrician before installation to ensure there is no risk of fire.

DO NOT connect this light fixture to an electrical system without a means for equipment grounding. If you're unsure, contact an electrician for information about proper grounding methods before installation.

If using a dimmer switch with this light fixture, contact an electrician to determine the correct type and electrical rating you will need.

### PREPARATION

Before assembly, ensure all parts are present. Compare parts with the contents listed in the package instructions. If any parts are missing or damaged, do not attempt to assemble or install this product. Contact us at [help@pipe-decor.com](mailto:help@pipe-decor.com) for replacement parts.

### FAQ

#### 1. Why won't my light turn on?

Three possible causes are a lack of power, bad wiring, or a faulty switch. Make sure the power is turned back on after installation. If the power is on but the light still will not work, consult a certified electrician for assistance.

#### 2. Why does the circuit trip when I turn the light on?

There may be crossed wires, or the power wire might be grounding out. Consult a certified electrician for assistance.

### RETURN POLICY

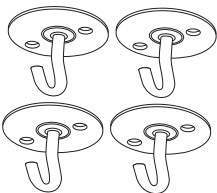
If you are not satisfied with your order for any reason, we offer returns or exchanges on all unused items for 30 days from the day of receipt. **Unfortunately, after 30 days, we cannot offer a refund or exchange.** If a product is damaged or defective, we will provide free replacements or repairs for up to 12 months from the date of purchase.

Return shipping is paid by the buyer for all non-defective returns or exchanges. If the product is defective or damaged, we will provide a prepaid shipping label.

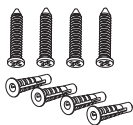
# PIPE DECOR®

## 4-LIGHT BLACK PENDANT FIXTURE

### INCLUDED ACCESSORIES



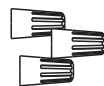
Hook x 4



Ceiling screw & anchor x 8



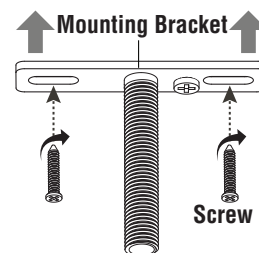
Screw x 2



Wire Nut x 3

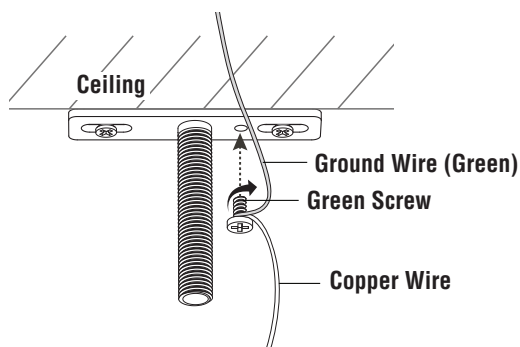
### STEP 1

Attach mounting bracket to the existing junction box



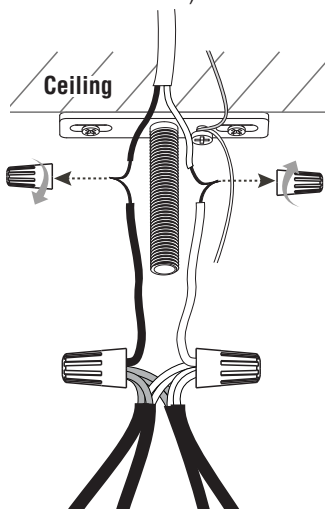
### STEP 2

Connect the ground wire and copper wire to the mounting unit



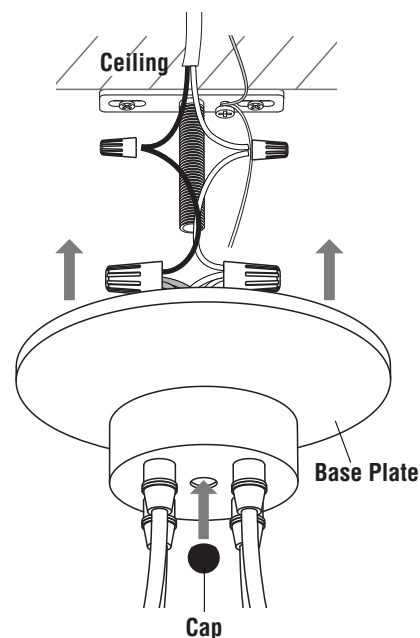
### STEP 3

Connect the black and white wires and tighten it with wire nuts (Note: Connect black to black and white to white wires)



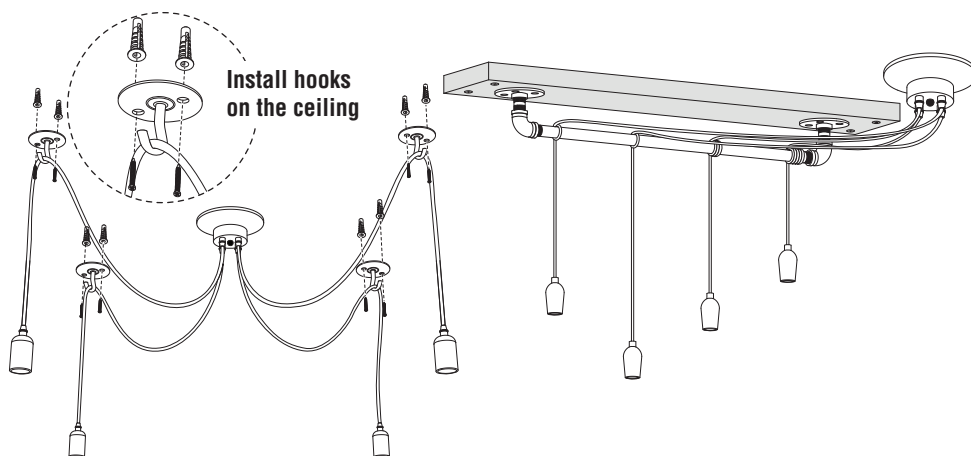
### STEP 4

Install and secure the base plate, then install cap



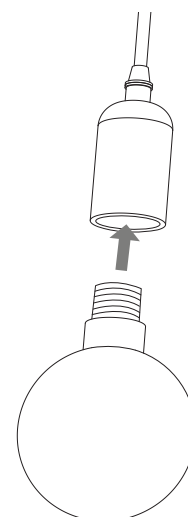
### STEP 5

Drill a 3/16" hole for each anchor in the ceiling around the lamp, then screw the included hooks into the ceiling to create a chandelier effect. Hanging wires can also be fastened or wrapped around additional accessories to change the final look. Pair with wood and pipe to create an industrial-style fixture or keep it simple for a more minimalist appearance.\* The sky's the limit!



### STEP 6

Install light bulbs (40W maximum per bulb)



\*Kit includes light fixture, 4 hooks, screws, and wire nuts. Additional clips, wood, pipes, bulbs, and other attachments are not included.

Caution: Low-hanging lights should be installed over a table to avoid accidental human contact. Keep light sockets out of reach of children to avoid burns or electrocution.