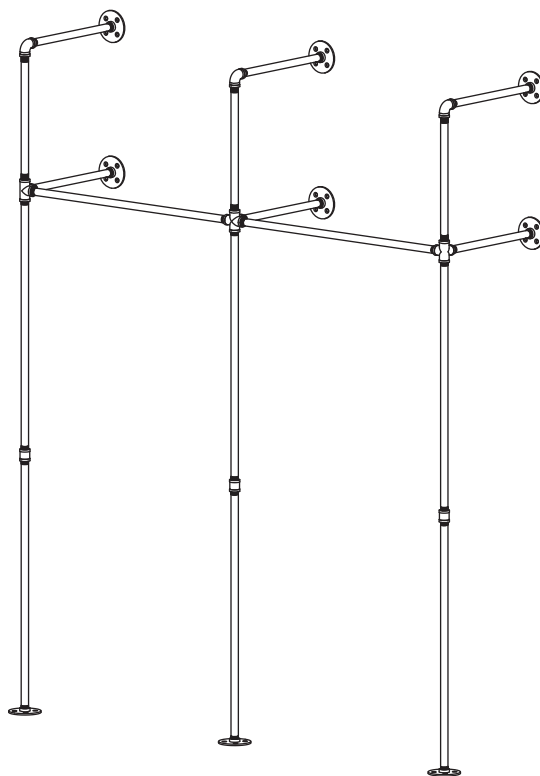




## 76.4" BLACK STEEL WALL AND FLOOR-MOUNTED MODULAR PIPE WARDROBE KIT

NEED HELP OR ADVICE PUTTING THIS KIT TOGETHER? MISSING PIECES?  
EMAIL US AT [SUPPORT@PIPE-DECOR.COM](mailto:support@pipe-decor.com) FOR ANY QUESTIONS



### HOW TO PREVENT PIPE CORROSION

PIPE DECOR industrial-grade black pipes and fittings are coated with a rust-preventive oil during manufacturing. For best results, **SEAL THE PIPES TO AVOID ANY RUSTING** after cleaning the kit.

#### **CLEAN AND SEAL INSTRUCTIONS:**

**CLEAN:** Recommended supplies: regular degreasing dish soap, washcloths, gloves (optional)  
1. Wash your pipes and fittings with warm water and dish soap until the oil is completely removed.  
2. Wipe the pipes with a dry washcloth and wait until the pipes are completely dry.

**IMPORTANT: THE PIPES MUST BE COMPLETELY DRY BEFORE YOU START THE SEALING PROCESS.**

#### **SEAL:**

**IF USING POLYURETHANE SPRAY:** Spray each dry pipe and fitting with a polyurethane matte or satin finishing spray and let it dry before assembling the kit.

**IF USING FINISHING WAX:** Coat each dry pipe with a finishing wax. Wait for 20 minutes, then polish the pipe with a dry washcloth by wiping them down. Faster wiping will result in a shinier finish.

# RESORE PIPE DECOR®

## 76.4" BLACK STEEL WALL AND FLOOR-MOUNTED MODULAR PIPE WARDROBE KIT

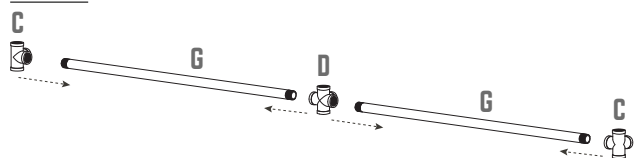
### EASY INSTALLATION: —

### RECOMMENDED TOOLS FOR INSTALLATION

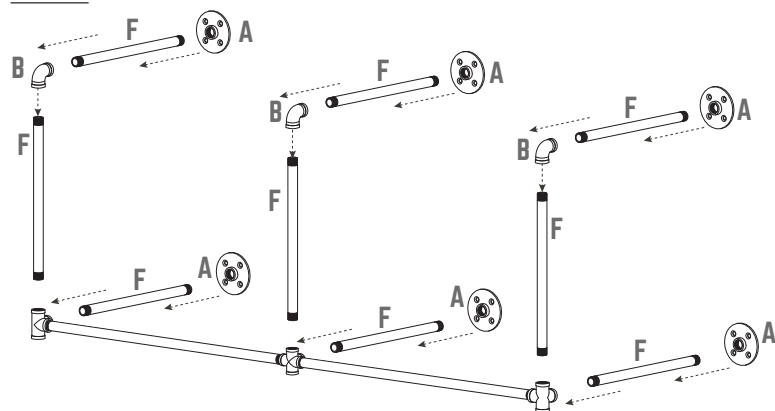


PART	DESCRIPTION	QTY
A	1/2" FLANGE	9
B	90° ELBOW	3
C	1/2" SIDE OUTLET TEE	2
D	5-WAY FITTING	1
E	1/2" COUPLING	3
F	12" NIPPLE	9
G	36" NIPPLE	8
H	SCREWS/ANCHORS	24

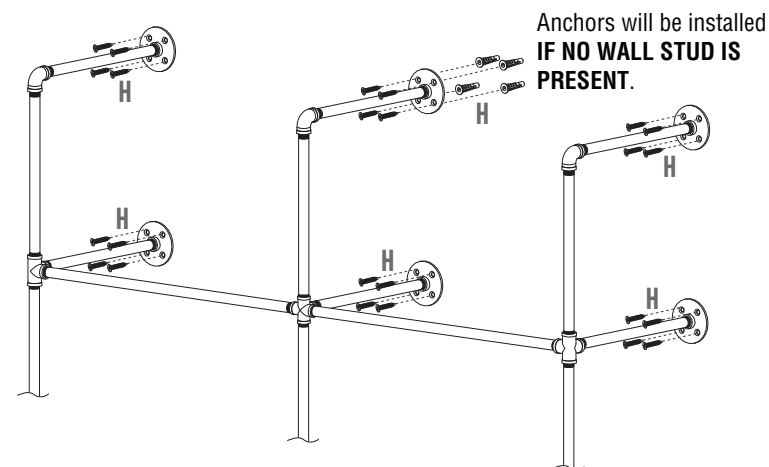
#### STEP 1 Start with the longest nipples (36")



#### STEP 2



#### STEP 4



- Place flange against wall in desired location and mark holes with pencil
- Using stud finder, locate and mark wall stud if found
- **If a wall stud is present**, attach flange to wall with included screws
- **If no wall stud is present:**
  - Drill pilot holes in wall using 1/4" drill bit
  - Insert anchor fully into pilot hole using hammer and Phillips screwdriver as needed
- Attach flange to wall using included screws

#### STEP 3

