

6

5

4

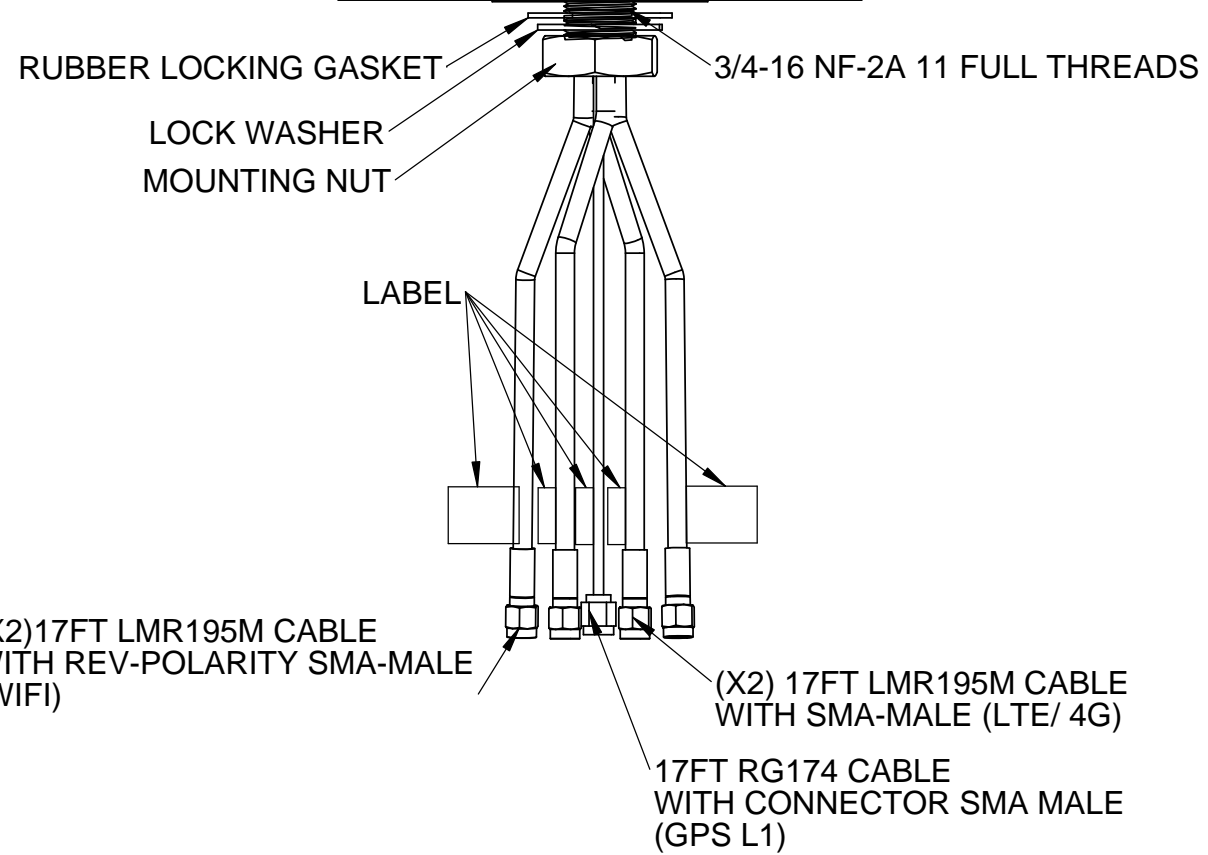
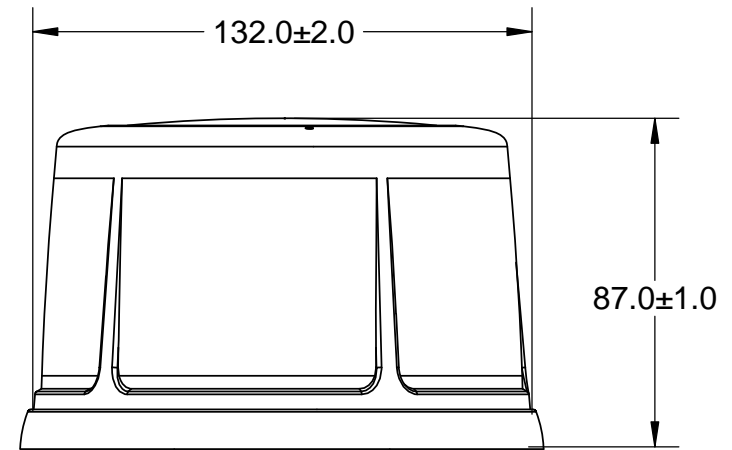
3

2

1

REVISIONS				
REV.	ECR#	DESCRIPTION	CHANGED BY/DATE	APPROVED BY/DATE
F01	N/A	MO RELEASED	TPC 22 JUNE 15	CYH 22 JUNE 15

Model			
Disk Puck 5 Ports 4G WIFI GPS (VHP69273B22G-518A)			
Antenna	LTE/4G	WIFI	GPS
Frequency (MHz)	698-960; 1710-2700	2300-2700; 4900-5900	1575.42 (GPS L1)
Gain (dBi)	3.0 (typical), 4.1 (max) @ 698-806 MHz	3.2 (typical), 4.3 (max) @2300-2400 MHz	
	3.3 (typical), 4.1 (max) @ 824-894 MHz	5.1 (typical), 5.8 (max) @ 2400-2500 MHz	
	3.1 (typical), 3.3 (max) @ 880-960 MHz	5.5 (typical), 6.2 (max) @2500-2700 MHz	
	4.0 (typical), 4.7 (max) @ 1710-1880 MHz	5.4 (typical), 6.5 (max) @ 4900-5900 MHz	
	4.8 (typical), 5.4 (max) @ 1850-1990 MHz		
	5.1 (typical), 5.8 (max) @ 1910-2170 MHz		
	4.9 (typical), 5.6 (max) @ 2300-2500 MHz		
	5.4 (typical), 5.9 (max) @ 2500-2700 MHz		
(measured on 1ft (304.8mm) dia. ground plane with 1ft (304.8mm) of cable)			
Number of Ports	2 Ports	2 Port	1 Port
Port to Port Isolation (dB)	> 14 dB (LTE1-to-LTE2)		
	> 18 dB (LTE1-to-WIFI1)		
	> 19 dB (LTE1-to-WIFI2)		
	> 19 dB (LTE2-to-WIFI1)		
	> 18 dB (LTE2-to-WIFI2)		
	> 20 dB (WIFI1-to-WIFI2)		
Nominal Impedance	50 Ohms		
Polarization	Vertical Linear		
Azimuth Beam Width	Omnidirectional		
Max Gain ±30 above Horizon 5GHz (dBi)	N/A	6.2 dBi	N/A
VSWR	2 : 1 @ 698-960MHz	2 : 1 @ 2300-2700MHz	1.5 : 1 typical
	2 : 1 @ 1710-2700MHz	2 : 1 @ 4900-5900MHz	
(measured on 1ft (304.8mm) dia. ground plane with 17ft (5181.6mm) of cable)			
Power Input (Max.)	10 Watts (ambient temp of 25°C(77°F))		
Amplifier Gain	N/A	N/A	27dB ± 3 dBc
DC Current	N/A	N/A	20mA Nominal; < 30mA @ -40°C ~ +85°C (-40°F ~ +185°F)
DC Voltage	N/A	N/A	2.7-12 Vdc
Noise Figure	N/A	N/A	4 dB max
Operating Temperature Range	-30°C ~ +70°C (-22°F ~ +158°F)		
Cable	LMR195M		RG174
Connector	SMA-male	RPSMA-male	SMA-male
Exposed Cable length	5181.6mm (17ft)		
Weight	approximately 1.16Kg (2.55lb)		
Radome	Black		
Dimension	Ø132mm (dia.) x 87mm (H) (Ø5.197" (dia.) x 3.425" (H))		
RoHs	Compliant		
SPEC	IP67		
Radome and base plate material	PC, UL94-V0, UV Stable		



UNLESS OTHERWISE NOTED, THIS DOCUMENT CONTAINS LAIRD TECHNOLOGIES CONFIDENTIAL INFORMATION. REPRODUCTION, USE, DISCLOSURE OR TRANSMITTAL OF ALL OR ANY PART OF THIS DOCUMENT IS PROHIBITED EXCEPT TO THE EXTENT APPROVED IN WRITING BY AN AUTHORIZED REPRESENTATIVE OF LAIRD TECHNOLOGIES. LAIRD TECHNOLOGIES RESERVES ALL RIGHTS UNDER PATENTS, TRADEMARKS, COPYRIGHTS AND TRADE SECRETS. COPYRIGHT, LAIRD TECHNOLOGIES 2014. ALL RIGHTS RESERVED.

MATERIAL: N/A		THIRD ANGLE PROJECTION		 IAS, PENANG MALAYSIA	
FINISH: N/A		DO NOT SCALE DRAWING			
APPROVALS		DATE		TITLE: VEHL DISK PUCK 5 PORT MOUNTING & OUTLINE	
DRAWN BY	TP CHEE	22 JUNE 15			
ELEC. ENG.	KM LIM	21 JUNE 15			
MECH. ENG.	TP CHEE	21 JUNE 15			
MFG./OPS.				INTERPRET DIMENSIONING AND TOLERANCING IN ACCORDANCE WITH ASME Y14.5M-2009 TOLERANCES UNLESS OTHERWISE SPECIFIED DIMENSIONS ARE IN MILLIMETERS ANGLE: ±30' 0 PLACE DECIMAL: ±0.5 1 PLACE DECIMAL: ±0.25 2 PLACE DECIMAL: ±0.13 SURFACE ROUGHNESS 1.6/√	
SIZE		DWG. NO.		REV	
A3		VHP69273B22GMO		F01	
SCALE: 1:4		PREVIOUS#		SHEET 1 OF 1	

6

5

4

3

2

1